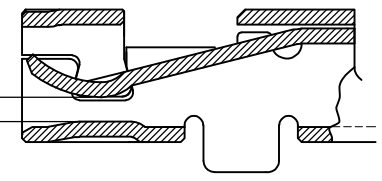
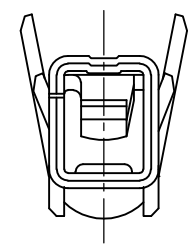
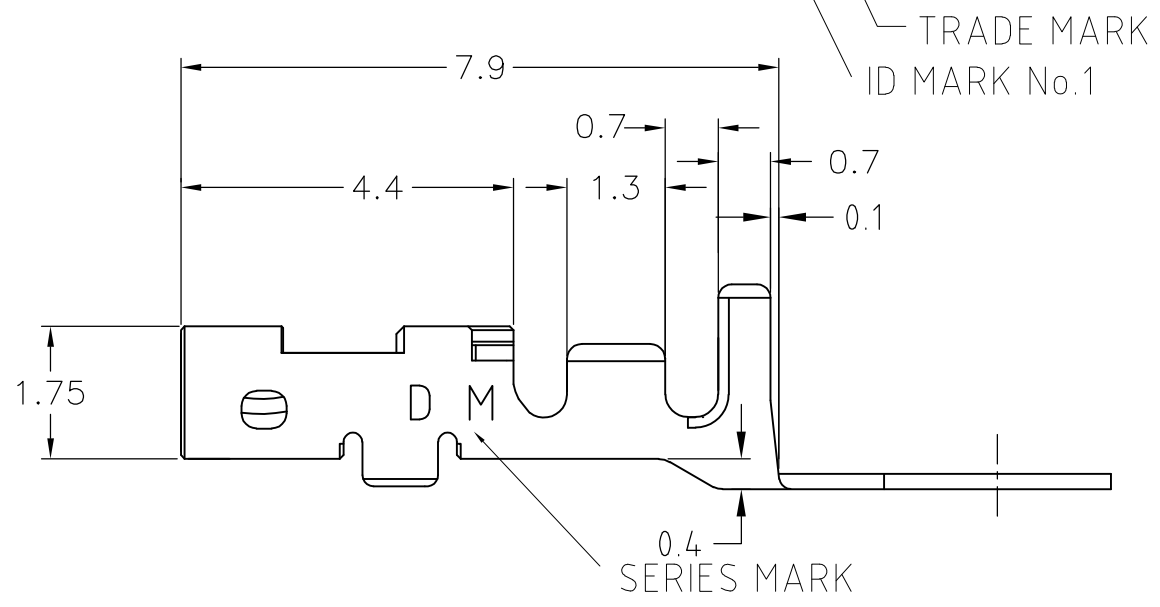
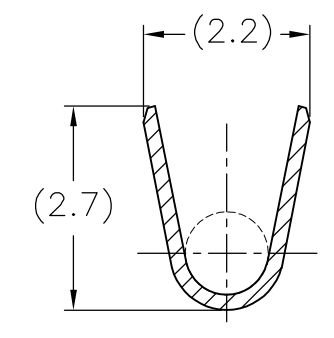
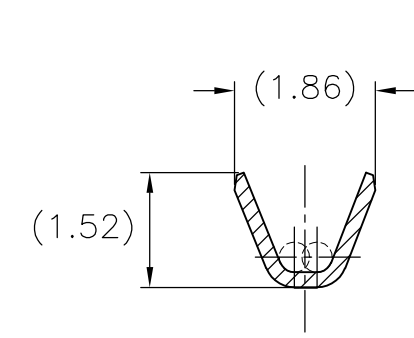
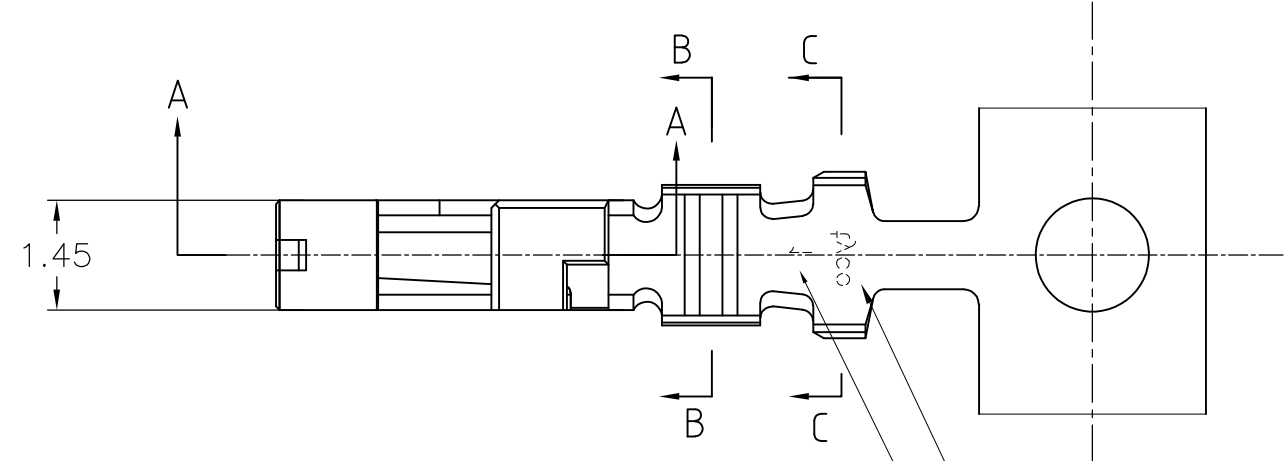


THIS DRAWING IS UNPUBLISHED. RELEASED FOR PUBLICATION
 © COPYRIGHT BY TYCO ELECTRONICS CORPORATION. ALL INTERNATIONAL RIGHTS RESERVED.

| LOC | DIST | REVISIONS | | | DATE | DWN | APVD |
|-----|------|-----------|-----|-------------|---------|-----|------|
| J | — | P | LTR | DESCRIPTION | | | |
| | | | B | REVISED | 26AUG10 | T.T | T.M |



0.5tタブにかん合
MATE WITH 0.5t TAB

断面 A-A
SECT.

| | | | |
|--|------------------------|---|---|
| AWG#28~#22 0.08~0.38mm ² | φ1.08~φ1.6 | COPPER ALLOY, FINISH: CONTACT AREA Au 0.76μm MIN, OVER Ni 1.27μm MIN 材料: 銅合金, 下地: Niめっき1.27μm以上, 接点部: 金めっき0.76μm以上 | 1939991-2 |
| WIRE RANGE 導体断面積 | INSULATION DIA 被覆外径 | MATERIAL 材料 | PART No. 型番 |
| THIS DRAWING IS A CONTROLLED DOCUMENT. | | DWN M.MAEBASHI 25APR2007 | Tyco Electronics Corporation Kawasaki, Japan |
| | | CHK T.KUDO 25APR2007 | |
| DIMENSIONS: 単位: 耗 mm | | APVD D.MITSUGI 25APR2007 | NAME 名称 |
| TOLERANCES UNLESS OTHERWISE SPECIFIED: 一般公差 | | PRODUCT SPEC 製品規格 108-78414 | DYNAMIC D1000 SERIES REC CONTACT M TYPE REEL |
| 0 PLQ ± 0.3 1 PLC ± 2 PLC ± 3 PLC ± 4 PLG ± ANGLES ± 3deg | | APPLICATION SPEC 取付適用規格 114-5405 | |
| MATERIAL 材料 | FINISH 仕上 | WEIGHT — | RESTRICTED TO — |
| CUSTOMER DRAWING | | SIZE A3 | CAGE CODE 00779 |
| | | DRAWING NO 番号 C-1939991 | SCALE 尺度 10:1 |
| | | SHEET 1 OF 1 | REV B |