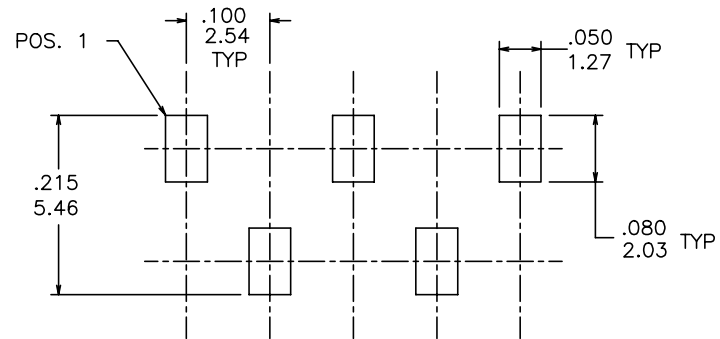
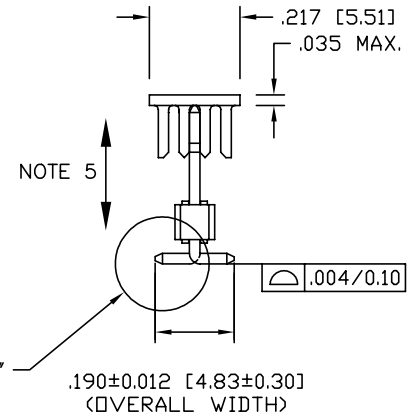
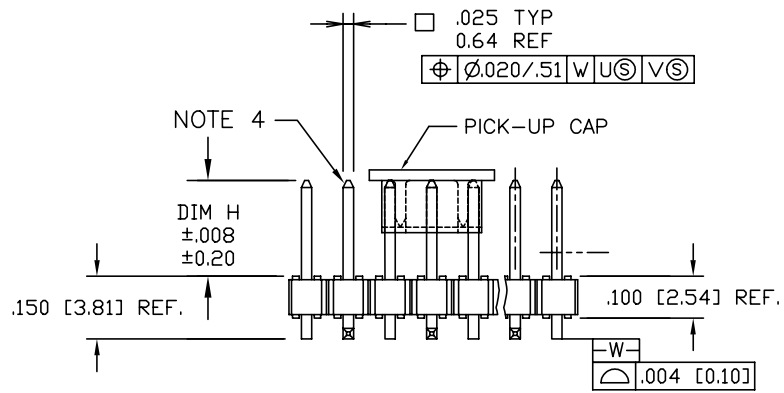
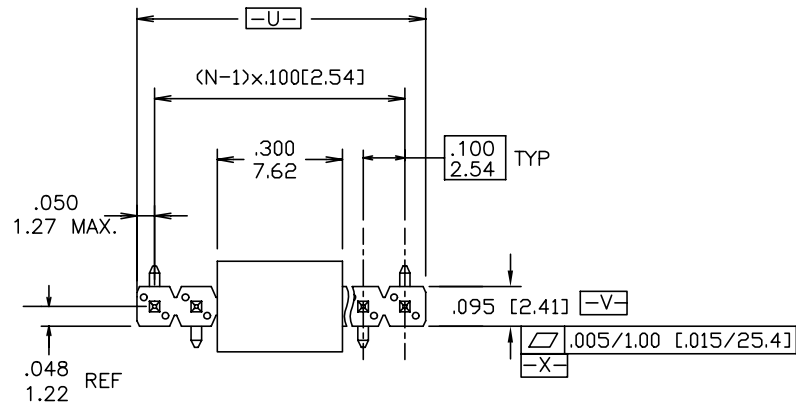


PRODUCT NUMBER

10129380 - X YY XXX X LF

- LEAD FREE OPTION (SEE NOTES 7)
- PACKAGING OPTIONS (SEE NOTE 3)
- INDICATES DIFFERENT MATING LENGTH TAIL LENGTH AND OTHER OPTIONS (SEE TABLE IN SHEET 2)
- NO OF POSITIONS (SEE NOTE 2)
- PIN PLATING (SEE SHEET 2)
- BASE PART NO.



RECOMMENDED PAD LAYOUT

mat'l. code SEE NOTES 1		surface ISO 1302 ✓	tolerance ISO 406 ISO 1101	projection INCH/MM	product family ECONOSTIK
ltr ecn noor date		tolerances unless otherwise specified		title	
A	NEW ZK 04/23/14	angles	linear	INCH/MM	ECONOSTIK HEADER
B	BLX-N-18529 ZK 08/14/14	0°±2'	XXXX±.008/XXX±0.20 XXXX±.0040/XXX±0.100	scale 2:1	.100/2.54cc SR SMT
dr	ZK HU 04/23/14	engr	ZK HU 04/23/14	dwg no	sheet 1 of 2 size
chr	RICK BIAN 04/23/14	appd	RICK BIAN 04/23/14	10129380	A3
type Product Customer Drawing					

sheet index	revision sheet	B 1	B 2																	
-------------	----------------	-----	-----	--	--	--	--	--	--	--	--	--	--	--	--	--	--	--	--	--

PRODUCT NUMBER	MATING LENGTH	
	DIM H	DIM H
	ENGLISH	METRIC
10129380-XY001XLF	0.230	5.84
10129380-XY002XLF	0.318	8.08

PIN PLATING CODES:	
10129380-9YYXXXXLF	1u"/0.025u MIN Au OVER 50u"/1.27u MIN Ni

NOTES:

- MATERIAL
 BODAY MATERIAL: HIGH TEMPERATURE THERMOPLASTIC.
 FLAME UL94-V0, BLACK.
 PIN MATERIAL: COPPER ALLOY.
- ANY NUMBER OF POSITIONS N FROM 2 TO 20.
 PRODUCT MAYBE CUTTING TO POSITION,
 THE CUTTING PLASH IS 0.02[0.51] MAX.
- PACKING STYLE DEFINITION.
 B: PACKED WITH POLY BAG
 T: PACKED WITH TUBE
 A: PACKED WITH TAPE AND REEL WITH PICK UP CAP
 C: PACKED WITH TAPE AND REEL WITHOUT PICK UP CAP
- TWO SIDES OF PIN TIPS NOT PLATED, TYPICAL BOTH ENDS.
- 2LBS/0.9KG MIN PIN RETENTION IN EITHER DIRECTION BEFORE REFLOW.
- THE OAL DON'T EXCEED 1 INCH / 25.4MM.
- ADD LF AT THE END OF PART NUMBER IS FOR LEAD FREE.
- THESE PRODUCT MEETS EUROPEAN UNION DIRECTIVES AND OTHER COUNTRY REGULATION AS DESCRIBED IN GS-22-008.
- THE PRODUCT WILL WITHSTAND EXPOSURE TO 260°C PEAK TEMPERATURE FOR 20 SECONDS IN A CONVECTION, INFRA-RED OR VAPOR PHASE REFLOW OVEN.
- PRODUCT SPECIFICATION: GS-12-1223.

mat'l. code SEE NOTES 1	surface ISO 1302 ✓	tolerance ISO 406 ISO 1101	projection 	product family ECONOSTIK
ltr/ecn no/dt	date	tolerances unless otherwise specified		title ECONOSTIK HEADER .100/2.54cc SR SMT
B		angles 0°±2°	linear XX±.01/XX±0.3 XXX±.008/XXX±0.20 XXXX±.0040/XXXX±0.100	INCH/MM scale 2:1
dr	ZK HU	04/23/14		dwg no 10129380
engr	ZK HU	04/23/14		sheet 2 of 2 size A3
chr	RICK BIAN	04/23/14		type Product Customer Drawing
appd	RICK BIAN	04/23/14		
sheet index	revision sheet			