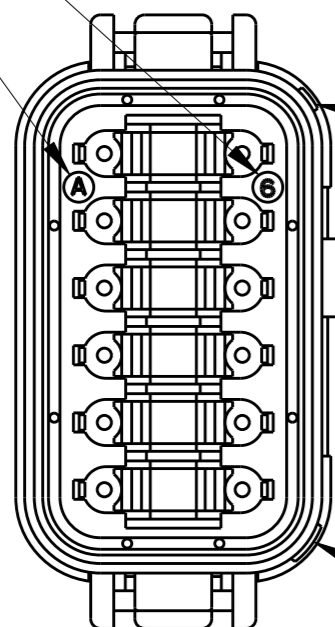


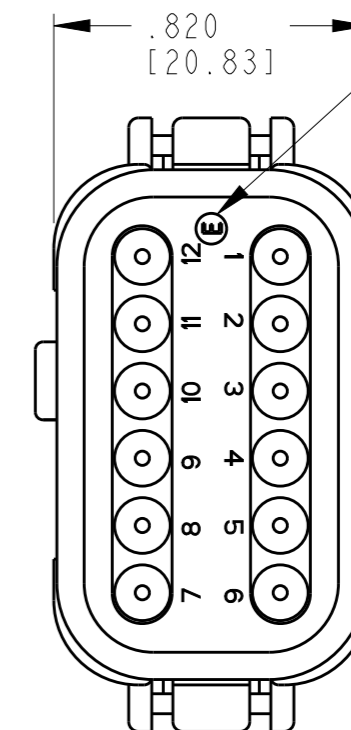
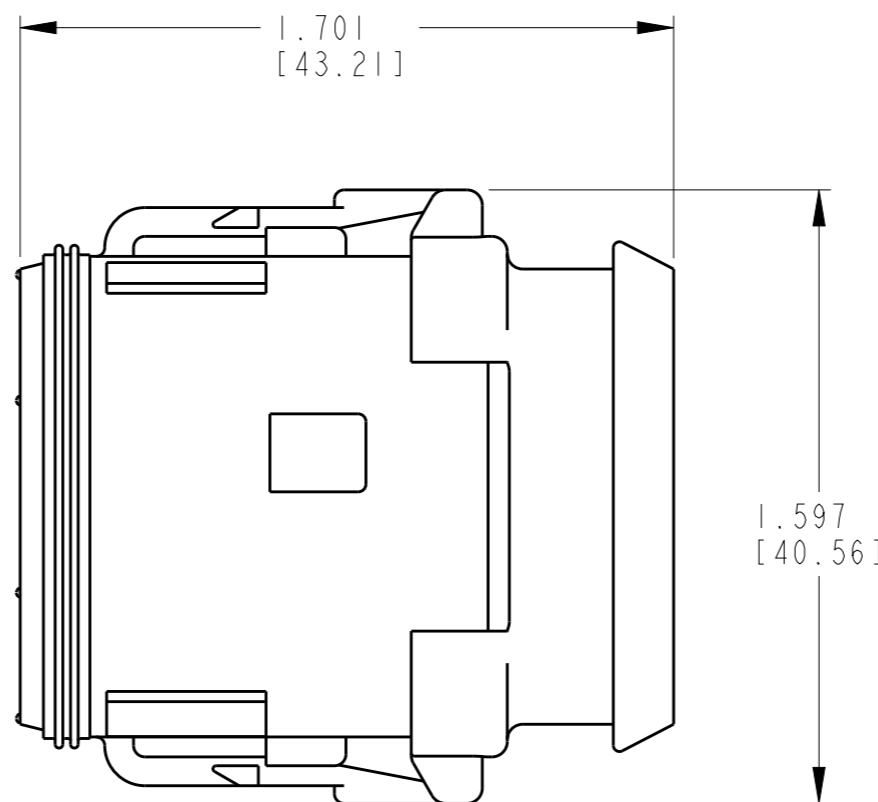
REVISIONS

P	LTR	DESCRIPTION	DATE	DWN	APVD
	B1	REVISED PER PCN E-17-014006	12SEP2017	SS	DM

DATE CODE: MONTH REPRESENTED BY SEQUENTIAL ALPHA CHARACTERS.
 EX. A = JANUARY
 YEAR IS REPRESENTED BY LAST NUMERICAL DIGIT.
 EX. 6 = 2016



KEY -A- REF.



-E- DESIGNATES REDUCED WIRE SEAL DIAMETER.

4. MATERIAL: HOUSING: PA66 GF15, SEE SHEET 2 FOR COLOR.
 GROMMET: VMQ (RED-ORANGE)

3. THIS PLUG MATES WITH DT04-12PX-XXXX RECEPTACLE.
 (X = A,B,C,D KEY ARRANGEMENT; XXXX = ALL MODIFICATIONS).
 CONSULT FACTORY FOR ALL MODIFICATIONS.

2. FOR CONTACTS AND WIRE PERFORMANCE AND APPLICATION CHARACTERISTICS, SEE ENVELOPE DRAWINGS 0425-015-0000.

1. SECONDARY WEDGE LOCK SOLD SEPARATELY: WI2S-P012.

NOTES:

TE INTERNAL PN	DEUTSCH PN
DT06-12SA-CE13	DT06-12SA-CE13
DT06-12SB-CE13	DT06-12SB-CE13
DT06-12SC-CE13	DT06-12SC-CE13
DT06-12SD-CE13	DT06-12SD-CE13

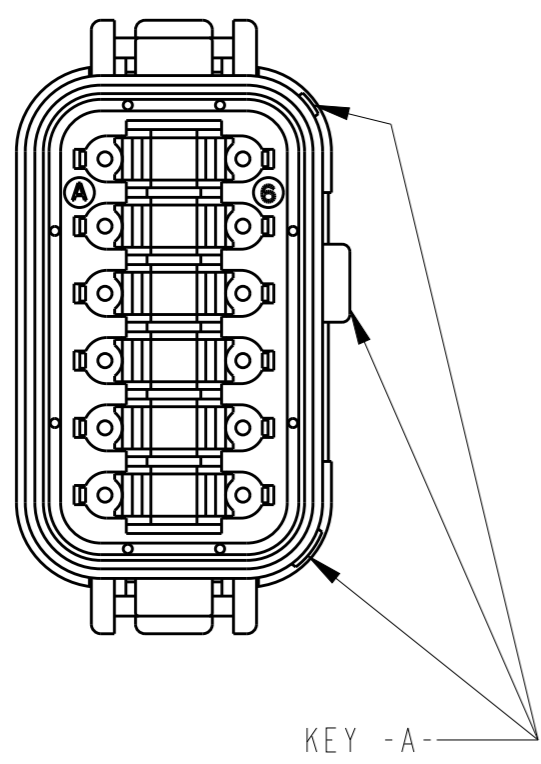
CONTACT SIZE	MIN. INSUL O.D.	MAX. INSUL O.D.	WIRE RANGE [mm ²] REF. ONLY
16	.053 [1.35]	.120 [3.05]	14-20 AWG [2.5-0.5]

THIS DRAWING IS A CONTROLLED DOCUMENT.		DWN A. MALAGON 03AUG2006		TE Connectivity	
DIMENSIONS: INCHES [mm]		CHK B. BYFORD 05NOV2009			
TOLERANCES UNLESS OTHERWISE SPECIFIED:		APVD S. BEARD 04NOV2009		NAME 12 WAY PLUG W/ SHRINK BOOT CAP AND REDUCED WIRE SEAL -CE13 MOD. DT SERIES	
0 PLC ± 1 PLC ± 2 PLC ± 3 PLC ±.025 [.64] 4 PLC ± ANGLES ±0°30'0"		PRODUCT SPEC 108-151009		SIZE A3	
MATERIAL 4		APPLICATION SPEC 0425-017-0000		CAGE CODE 4AFU8	
FINISH -		WEIGHT 20 G		DRAWING NO. DT06-12SX-CE13	
		CUSTOMER DRAWING		RESTRICTED TO -	
		SCALE 1:1		SHEET 1 OF 2	
				REV B1	

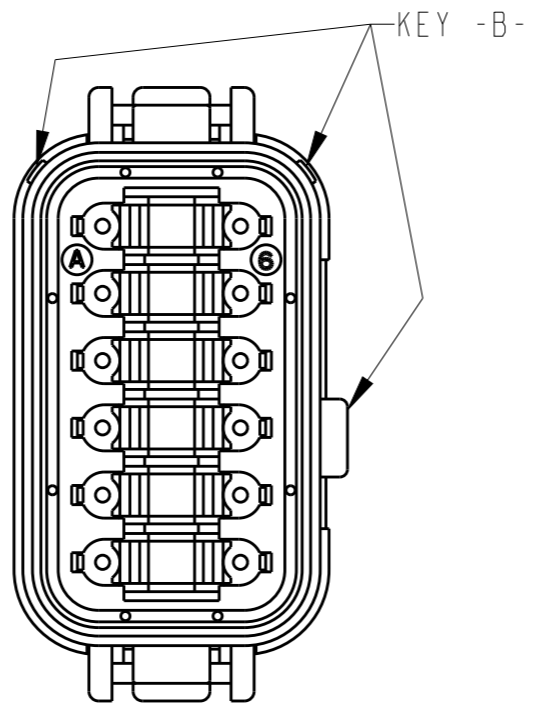
THIS DRAWING IS UNPUBLISHED
 RELEASED FOR PUBLICATION 2017
 © COPYRIGHT 2017 BY -TE CONNECTIVITY ALL RIGHTS RESERVED.

REVISIONS					
P	LTR	DESCRIPTION	DATE	DWN	APVD
-		SEE SHEET 1	-	-	-

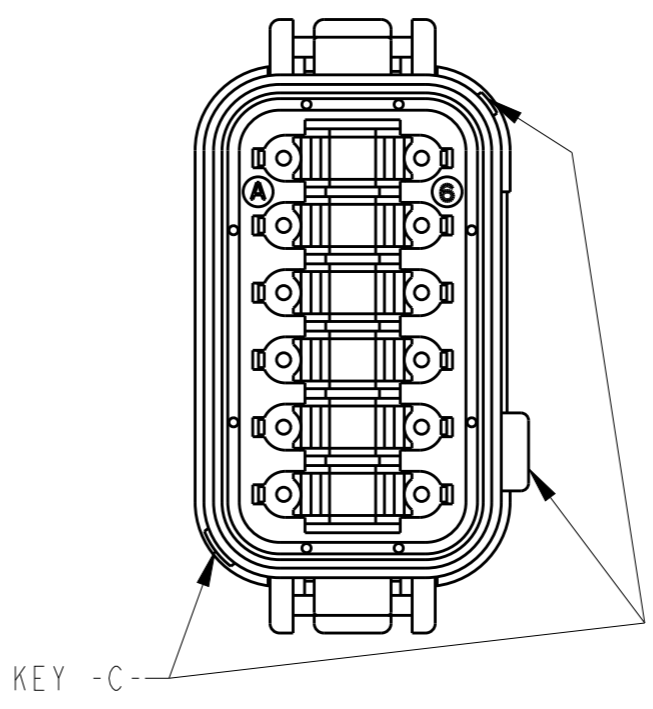
PART NO.: DT06-12SA-CE13
 KEY ARR. -A-
 HOUSING AND CAP COLOR: GRAY



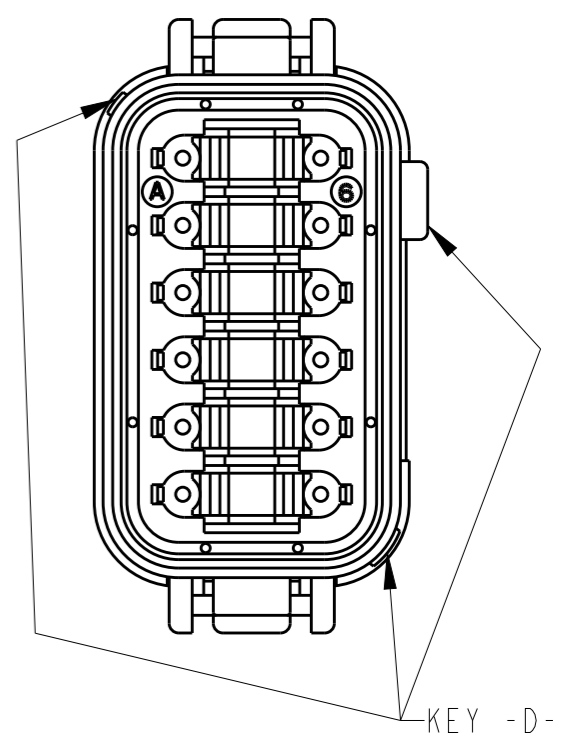
PART NO.: DT06-12SB-CE13
 KEY ARR. B-
 HOUSING AND CAP COLOR: BLACK



PART NO.: DT06-12SC-CE13
 KEY ARR. -C-
 HOUSING COLOR: GREEN
 CAP COLOR: BLACK



PART NO.: DT06-12SD-CE13
 KEY ARR. -D-
 HOUSING COLOR: BROWN
 CAP COLOR: BLACK



THIS DRAWING IS A CONTROLLED DOCUMENT.		DWN A. MALAGON 03AUG2006																
DIMENSIONS: INCHES [mm]		CHK B. BYFORD 05NOV2009																
TOLERANCES UNLESS OTHERWISE SPECIFIED:		APVD S. BEARD 04NOV2009	NAME 12 WAY PLUG W/ SHRINK BOOT CAP AND REDUCED WIRE SEAL -CE13 MOD. DT SERIES															
<table border="0"> <tr> <td>0 PLC</td> <td>±</td> </tr> <tr> <td>1 PLC</td> <td>±</td> </tr> <tr> <td>2 PLC</td> <td>±</td> </tr> <tr> <td>3 PLC</td> <td>±.025 [.64]</td> </tr> <tr> <td>4 PLC</td> <td>±</td> </tr> <tr> <td>ANGLES</td> <td>±0°30'0"</td> </tr> </table>		0 PLC	±	1 PLC	±	2 PLC	±	3 PLC	±.025 [.64]	4 PLC	±	ANGLES	±0°30'0"	PRODUCT SPEC 108-151009	SIZE A3	CAGE CODE 4AFU8	DRAWING NO DT06-12SX-CE13	RESTRICTED TO -
0 PLC	±																	
1 PLC	±																	
2 PLC	±																	
3 PLC	±.025 [.64]																	
4 PLC	±																	
ANGLES	±0°30'0"																	
MATERIAL 4	FINISH -	APPLICATION SPEC 0425-017-0000	WEIGHT 20 G	SCALE 1:1														
CUSTOMER DRAWING			SHEET 2 OF 2		REV B1													