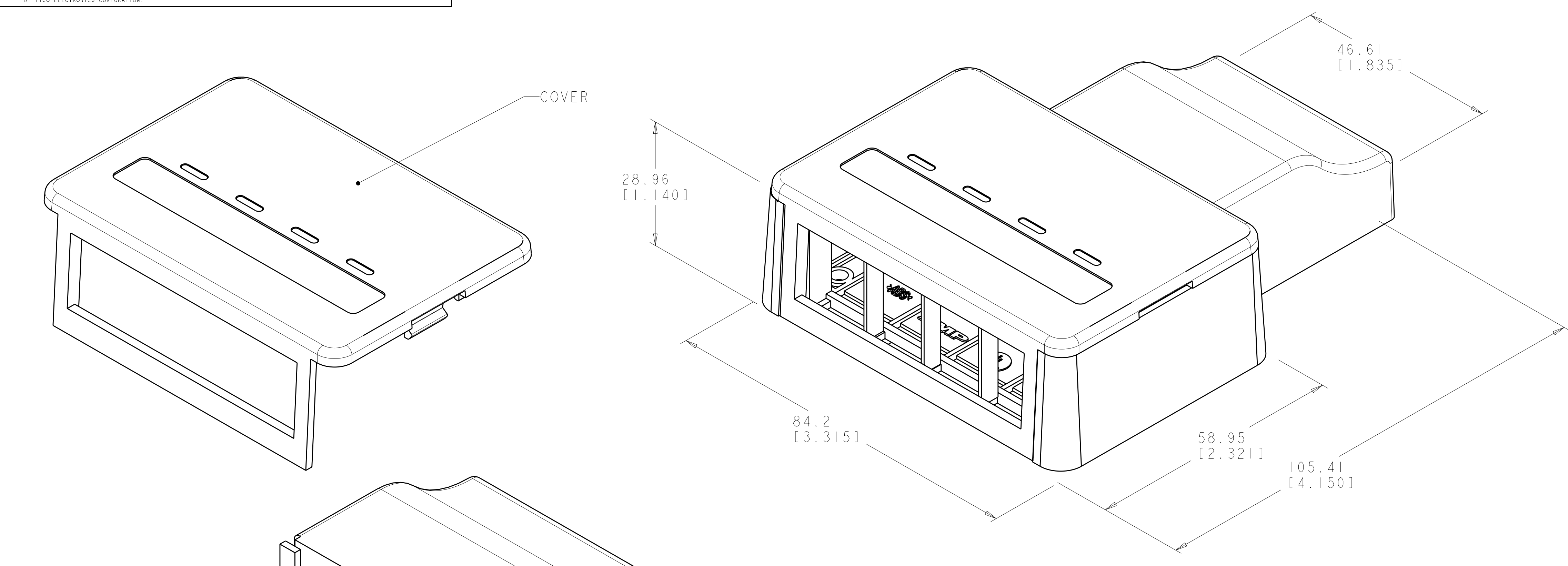


LOC	DIST	REVISIONS					
HM	00	P	LTB	DESCRIPTION	DATE	DWN	APVD
		A		RELEASED; NSD07-013	13MAR2007	GG	GB
		B		REV ECO-11-000935	14JAN2011	LH	RA

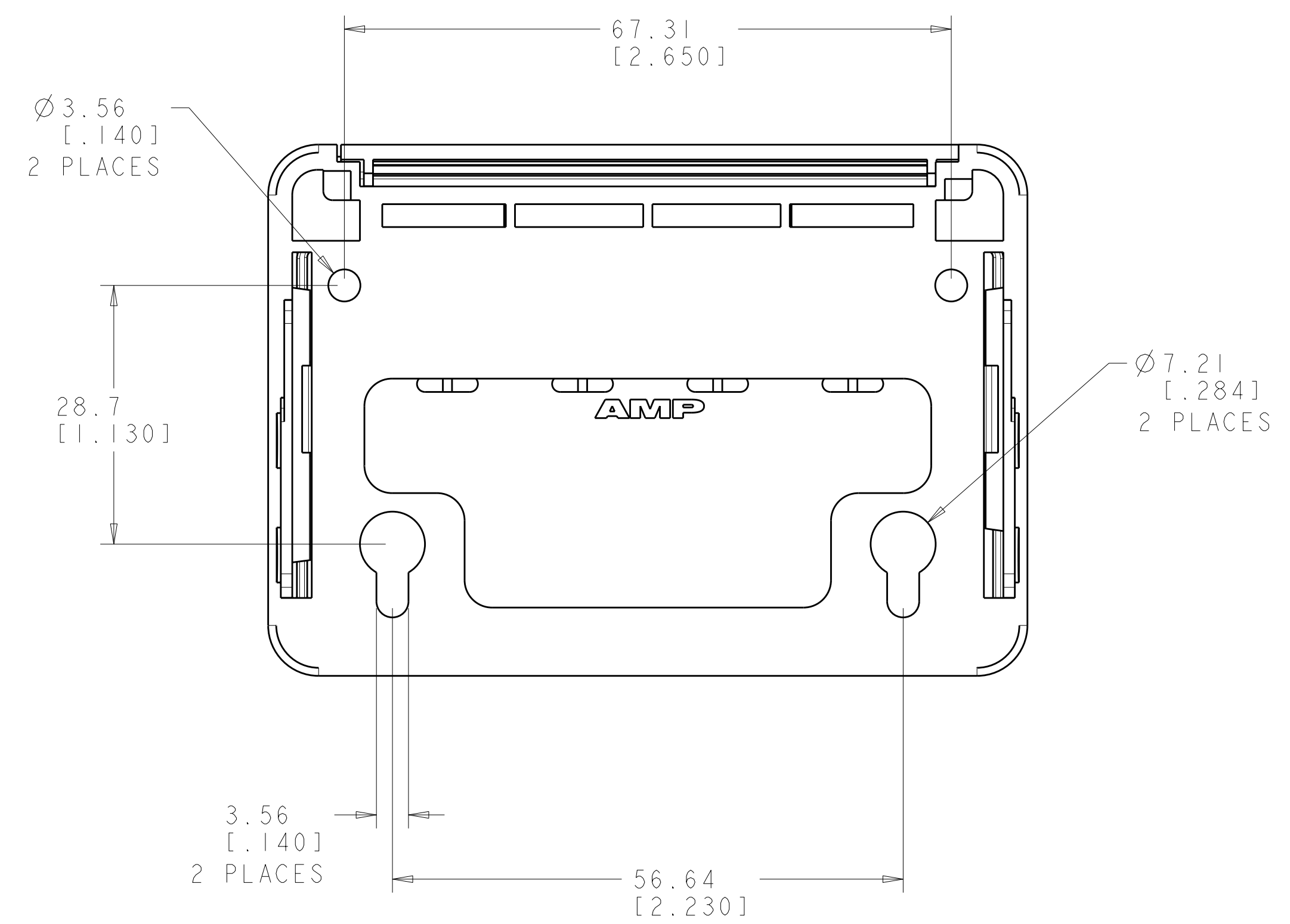
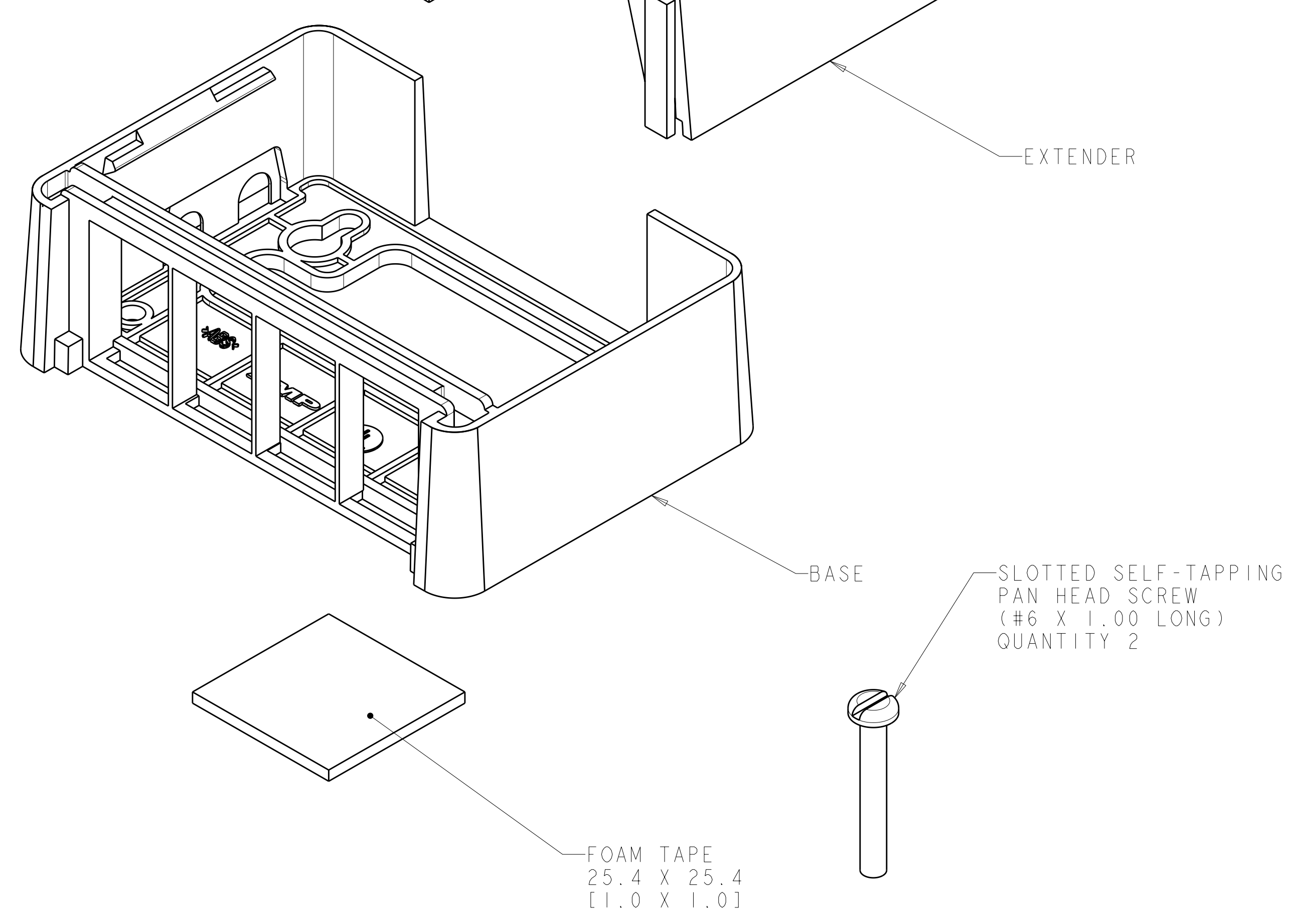


⚠ MATERIAL:
 BASE, COVER AND EXTENDER - ABS MOLDING COMPOUND. SEE TABLE FOR COLOR.
 FOAM TAPE - DOUBLE SIDED ADHESIVE. POLYETHYLENE.
 SCREWS - ZINC PLATED CARBON STEEL.

⚠ DIMENSIONS ARE NOMINAL UNLESS OTHERWISE SPECIFIED.

3. KIT SHIPPED NOT ASSEMBLED.

ASSEMBLED VIEW



BOTTOM VIEW MOUNTING DIMENSIONS

COLOR	PART NUMBER
ELECTRIC IVORY	1-1933288-1
NEMA GRAY	1933288-4
WHITE	1933288-3
BLACK	1933288-2
LIGHT ALMOND	1933288-1

<small>THIS DRAWING IS UNPUBLISHED. RELEASED FOR PUBLICATION. ALL RIGHTS RESERVED. THIS IS SUBJECT TO CHANGE WITHOUT NOTICE AND WITHOUT OBLIGATION. DIMENSIONS ARE NOMINAL UNLESS OTHERWISE SPECIFIED. CONTACT TYCO ELECTRONICS CORPORATION FOR THE LATEST REVISION.</small>		DWN: G. GARRETT 13MAR2007 CHK: G. ROWMAN 13MAR2007 APVD: G. ROWMAN 13MAR2007	Tyco Electronics Harrisburg, PA 17105-3608
DIMENSIONS: mm [INCHES] TOLERANCES UNLESS OTHERWISE SPECIFIED: 9 PLC ± .1 3 PLC ± .1 4 PLC ± .1 ANGLES ± .1	PRODUCT SPEC: - APPLICATION SPEC: 408-8399 WEIGHT: - FINISH: -	NAME: KIT, OFFICE BOX, EXTENDER, 4 PORT SIZE: A1 CAGE CODE: 00779 DRAWING NO: C=1933288 SCALE: 2:1 SHEET: 1 OF 1 REV: B	CUSTOMER DRAWING