

4

3

2

1

THIS DRAWING IS UNPUBLISHED. RELEASED FOR PUBLICATION 20
 © COPYRIGHT 20 BY - ALL RIGHTS RESERVED.

REVISIONS				
P	LTR	DESCRIPTION	DATE	APVD
A		REVISED AS PER ECR-15-005925	21APR2015	RS JL
B		REVISED AS PER ECR-16-000859	08MAR2016	RS JL

30.0
ACROSS HEXAGON
FLATS

20.8

Ø12.9

3

NOTES:

- MATERIAL: GLASS FILLED PBT, COLOR: BLACK
- MUST COMPLY WITH DIRECTIVE 2002/95/EC (ROHS)
- ALL POLARIZATION KEYS SHOWN FOR REF ONLY.
- CIRCUIT I.D.
- THIS PRODUCT HAS NOT COMPLETED VALIDATION TESTING

4

11.0

17.2

3.8

13.9

4

STE

2213263-A

400 V

E	PANEL MT SKT. SEALED NECTOR M, 7 POLE	2213263-5
D	PANEL MT SKT. SEALED NECTOR M, 7 POLE	2213263-4
C	PANEL MT SKT. SEALED NECTOR M, 7 POLE	2213263-3
B	PANEL MT SKT. SEALED NECTOR M, 7 POLE	2213263-2
A	PANEL MT SKT. SEALED NECTOR M, 7 POLE	2213263-1
POLARIZATION KEYING		PART NUMBER
DESCRIPTION		

DIMENSIONS:		TOLERANCES UNLESS OTHERWISE SPECIFIED:		APVD		NAME	
mm		0 PLC	±	DWN	J. SHAEFFER	12NOV2013	TE Connectivity
		1 PLC	±0.2	CHK	M. LUKSIC	12NOV2013	
		2 PLC	±0.13	APVD	M. LUKSIC	12NOV2013	
		3 PLC	±	PRODUCT SPEC			
		4 PLC	±	APPLICATION SPEC			
		ANGLES	±				
		FINISH	±				
MATERIAL	NOTE 1		-	WEIGHT			
			-	CUSTOMER DRAWING			

SIZE	CAGE CODE	DRAWING NO	RESTRICTED TO
A2	-	G-2213263	-

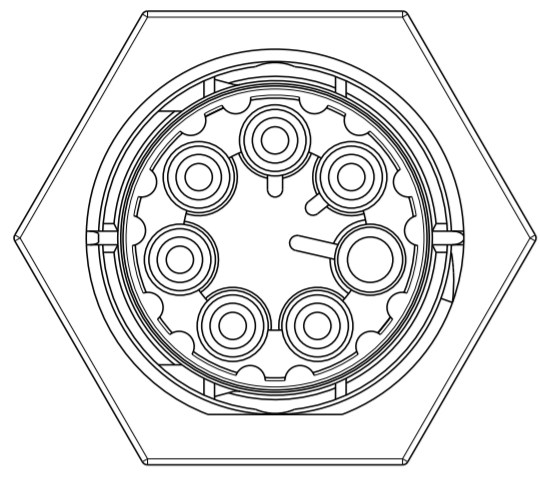
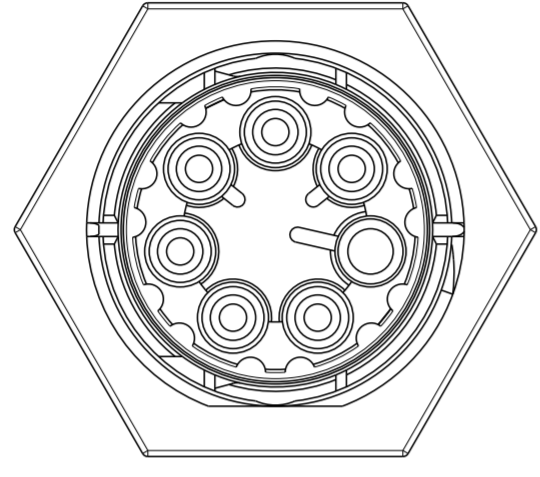
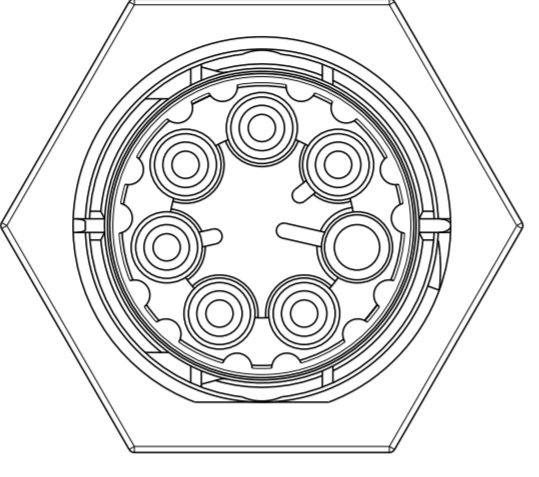
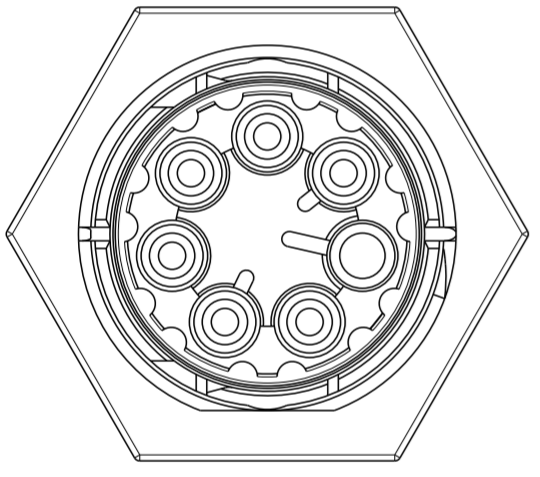
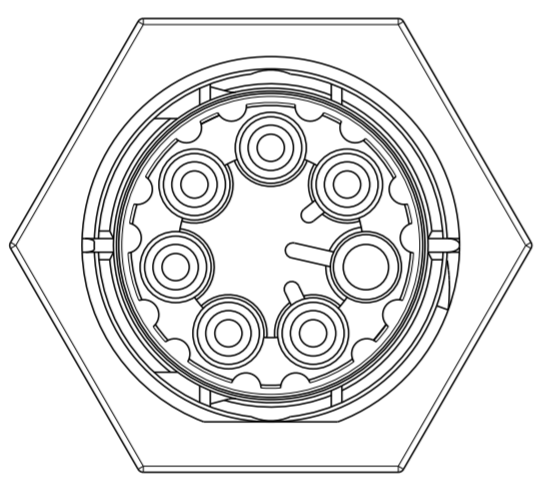
SCALE 2:1 SHEET 1 OF 2 REV B

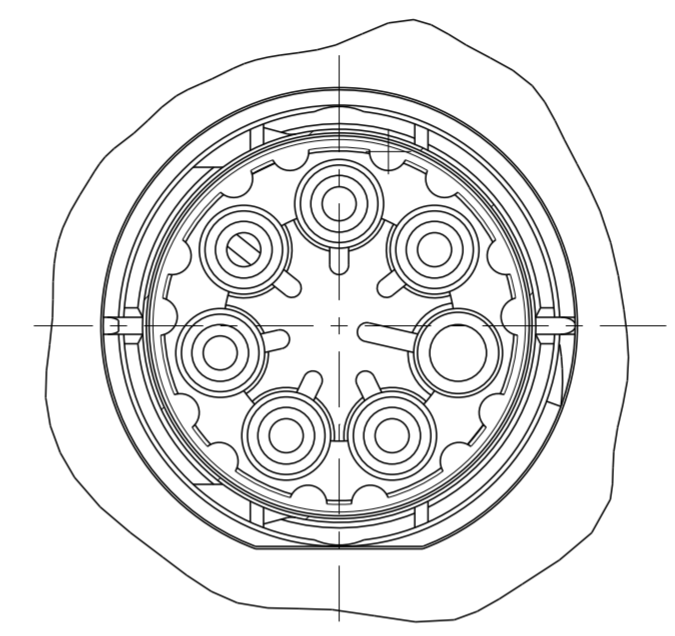
1471-9 (3/13)

THIS DRAWING IS UNPUBLISHED. RELEASED FOR PUBLICATION 20
 © COPYRIGHT 20 BY - ALL RIGHTS RESERVED.

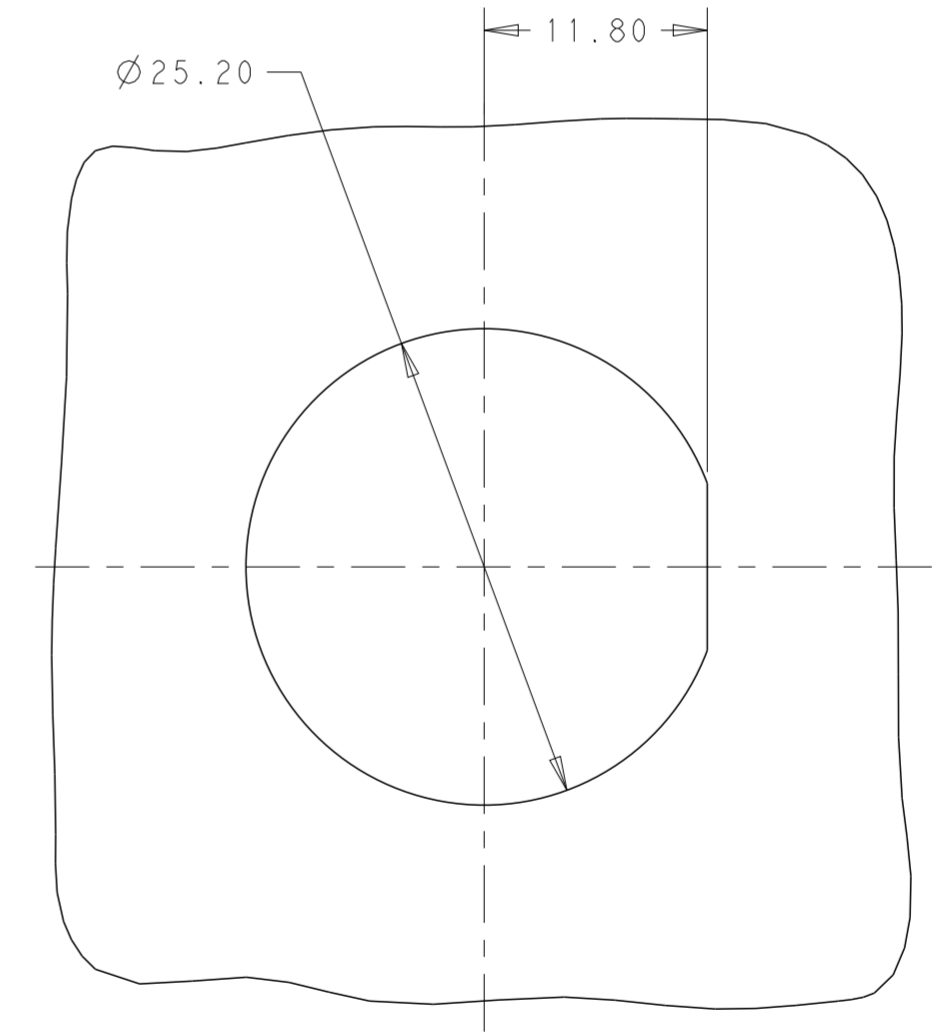
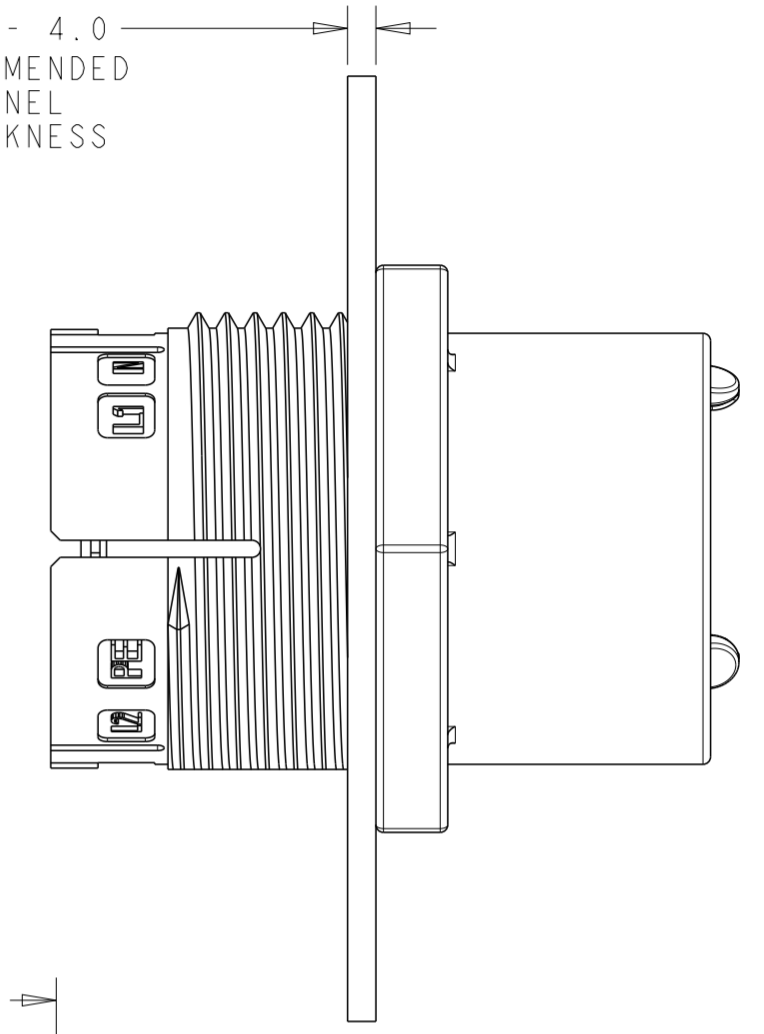
REVISIONS				
P	LTR	DESCRIPTION	DATE	APVD
-	-	SEE SHEET 1	-	-

POLARIZATION TYPES

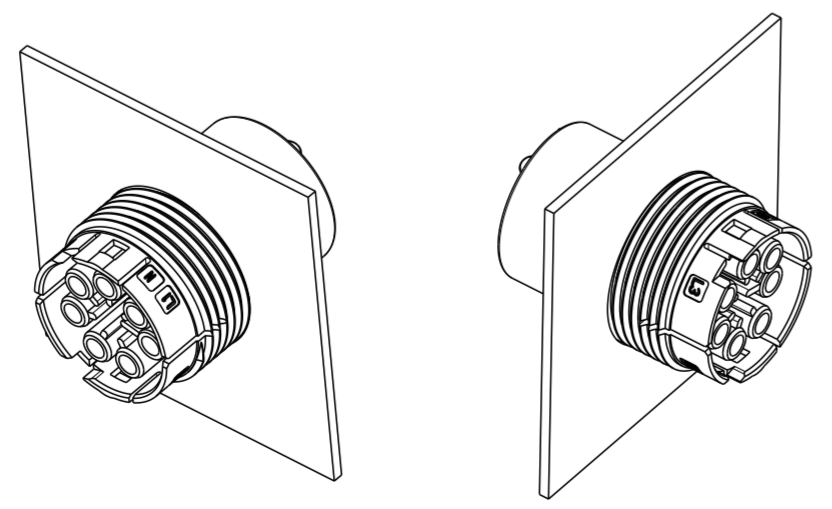
POLARIZATION TYPE "A"	POLARIZATION TYPE "B"	POLARIZATION TYPE "C"
		
PN: 2213263-1	PN: 2213263-2	PN: 2213263-3
POLARIZATION TYPE "D"	POLARIZATION TYPE "E"	
		
PN: 2213263-4	PN: 2213263-5	




1.5 - 4.0
RECOMMENDED
PANEL
THICKNESS



RECOMMENDED
PANEL CUTOUT
SCALE 5:2



3D VIEWS
FOR REFERENCE ONLY

THIS DRAWING IS A CONTROLLED DOCUMENT.		DWN J. SHAFFER 12NOV2013	 TE Connectivity	
DIMENSIONS: mm		CHK M. LUKSIC 12NOV2013		
TOLERANCES UNLESS OTHERWISE SPECIFIED:		APVD M. LUKSIC 12NOV2013	NAME PANEL MOUNT, SOCKET; SEALED NECTOR M, 7 POLE	
0 PLC ±	1 PLC ±0.2	PRODUCT SPEC 108-133014	SIZE A2	CAGE CODE -
2 PLC ±0.13	3 PLC ±	APPLICATION SPEC 114-32111	DRAWING NO G-2213263	
4 PLC ±	ANGLES ±	WEIGHT -	RESTRICTED TO -	
FINISH -	-	CUSTOMER DRAWING	SCALE 2:1	SHEET 2 OF 2
NOTE 1	-			REV B