

PRODUCT NUMBER	PITCH
H5xx10x100J0G	3.50 mm

Dimension

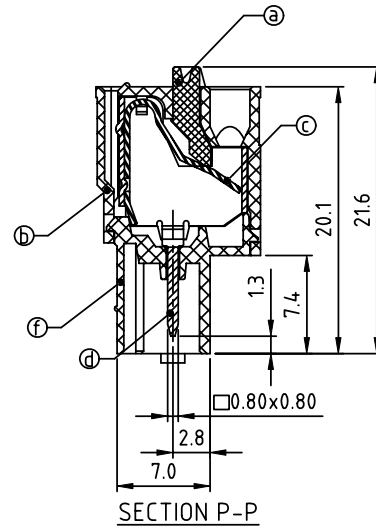
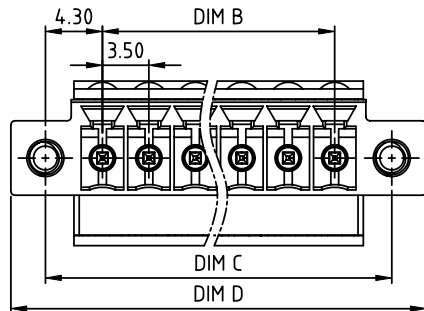
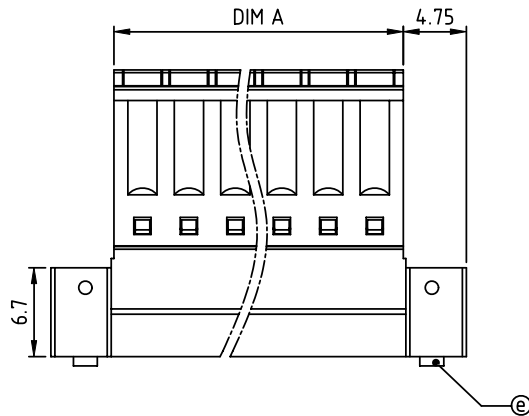
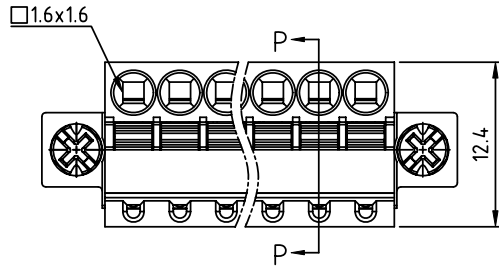
DIM A	(N-1)×3.5+4.3
DIM B	(N-1)×3.5
DIM C	(N-1)×3.5+8.6
DIM D	(N-1)×3.5+13.8

N=Number of poles

POLES	Dim A&Dim B	Dim C&Dim D
2p-6p	±0.10	±0.15
7p-12p	±0.15	±0.20
13p-18p	±0.20	±0.30
19p-24p	±0.30	±0.40

PART NO.: H5 xx 1 0 x 1 00J0 G

Solid block No. of poles 02 2 poles 03 3 poles ... 24 24 poles	Color 0 Black (RAL9005) 2 Red (RAL3001/D) 3 Orange(RAL2011/P) 4 Yellow(RAL1018/A) 5 Green(RAL6018/T) 6 Blue (RAL5015/A) 8 Grey(RAL7035/D) 9 White(RAL1102) C Green(RAL6018/U)	RoHS compliant (lead<4%) In copper Alloy
---	--	--



Material:

- ItemⒶ Terminal lever: Thermoplastic (UL94V-0) Orange (RAL2001/P)
- ItemⒷ Top body: Thermoplastic (UL94V-0)
- ItemⒸ Spring clamp: Stainless steel
- ItemⒹ Male contact pin: Phbz.Tin plated
- ItemⒺ Flange screw: solt "+/-" combination zinc plated M2.5
- ItemⒻ Bottom body: Thermoplastic (UL94V-0)

Electrical:

- Voltage rating: 300 V
- Current rating: 4A
- Wire range:
- Solid wire(AWG): 16-28
- Stranded wire(AWG): 16-28
- Wire strip length: 9-10mm
- Withstanding Voltage: 1.6 KV
- Operating temperature: -40°C to +115°C
- Safety Approval:

mat'l. code	surface ASME Y14.5	tolerance ASME Y14.5	projection 	product family TERMINAL BLOCK
ltr	ecn no	dr	date	title
				TERMINAL BLOCK SPRING CLAMP, PLUGGABLE PLUG MALE CONNECTOR, FLANGE WITH SCREW
				scale MM
				dwg no H5xx10x100J0G
				sheet 1 of 1 size A4
				type CUSTOMER Drawing
sheet index	revision sheet	A	1	