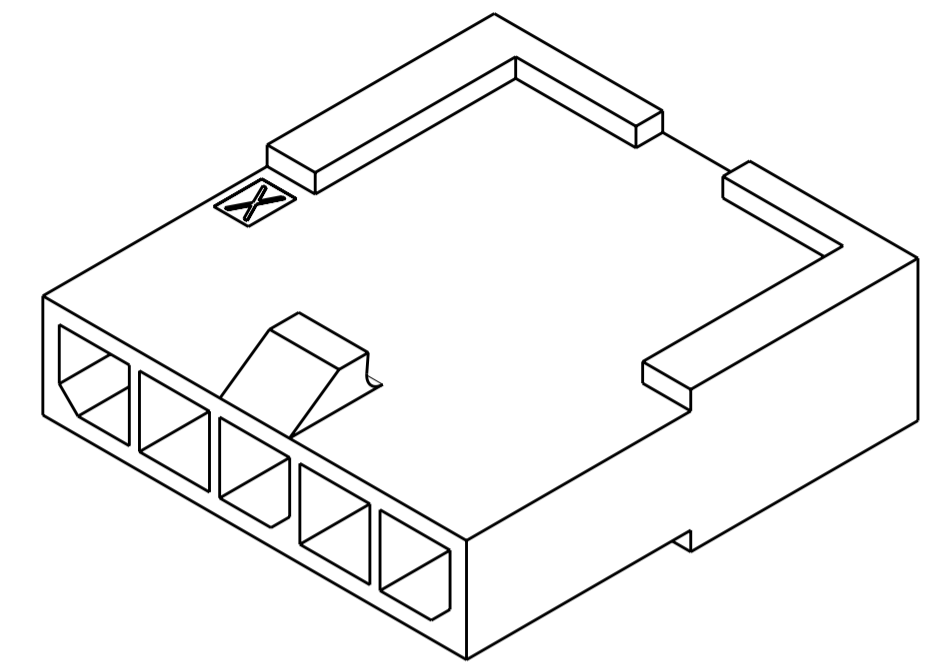
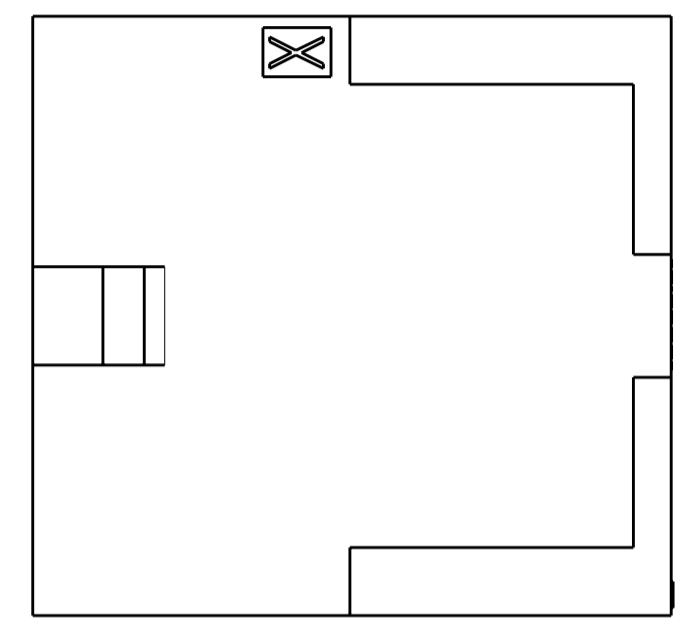
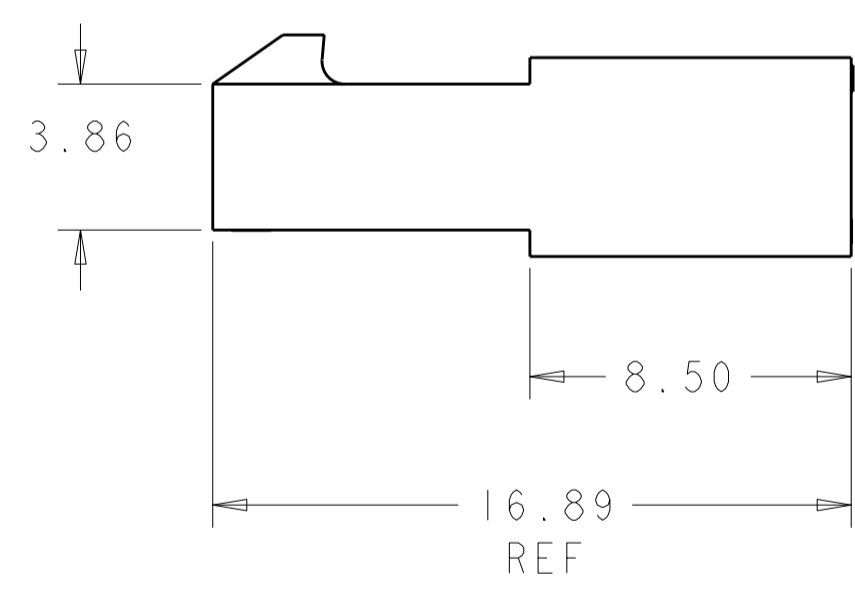
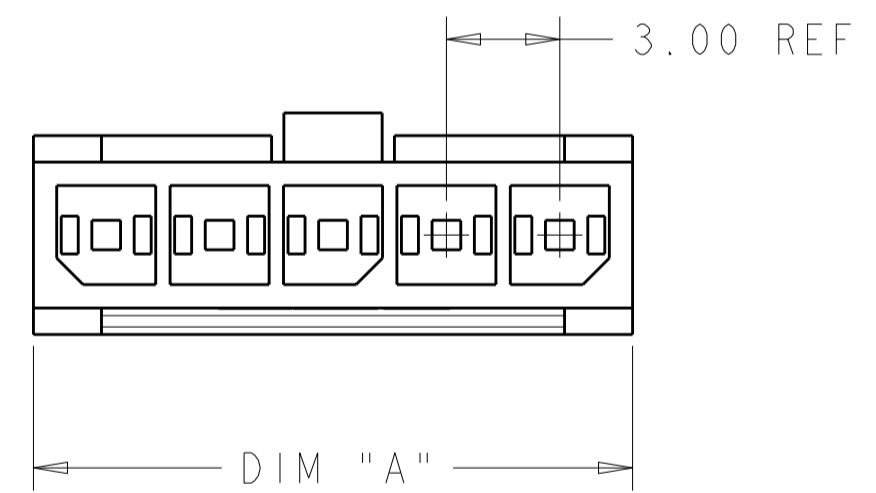


THIS DRAWING IS UNPUBLISHED. RELEASED FOR PUBLICATION 20
 © COPYRIGHT 20 ALL RIGHTS RESERVED.

LOC	DIST	REVISIONS			
P	LTR	DESCRIPTION	DATE	DWN	APVD
CM	00	P	REVISED PER ECO-11-005294	06APR2011	RK HMR



SCALE 5:1



36.85	12	1-1445049-2
33.85	11	1-1445049-1
30.85	10	1-1445049-0
27.85	9	1445049-9
24.85	8	1445049-8
21.85	7	1445049-7
18.85	6	1445049-6
15.85	5	1445049-5
12.85	4	1445049-4
9.85	3	1445049-3
6.85	2	1445049-2
DIM A	NO. OF POS.	PART NUMBER

METRIC

THIS DRAWING IS A CONTROLLED DOCUMENT.

DWN	W. J. RUDY	29AUG2000	TE Connectivity NAME PLUG HOUSING, 2 TO 12 POSITION, SINGLE ROW, FREE HANGING, MICRO MATE-N-LOK™			
CHK	W. DAVIS	29AUG2000				
APVD	W. DAVIS	29AUG2000				
PRODUCT SPEC	-	-				
APPLICATION SPEC	-	-	SIZE	CAGE CODE	DRAWING NO.	RESTRICTED TO
WEIGHT	-	-	A200779	C-1445049	-	-
CUSTOMER DRAWING			SCALE	5:1	SHEET	OF
					1	1
						REV P