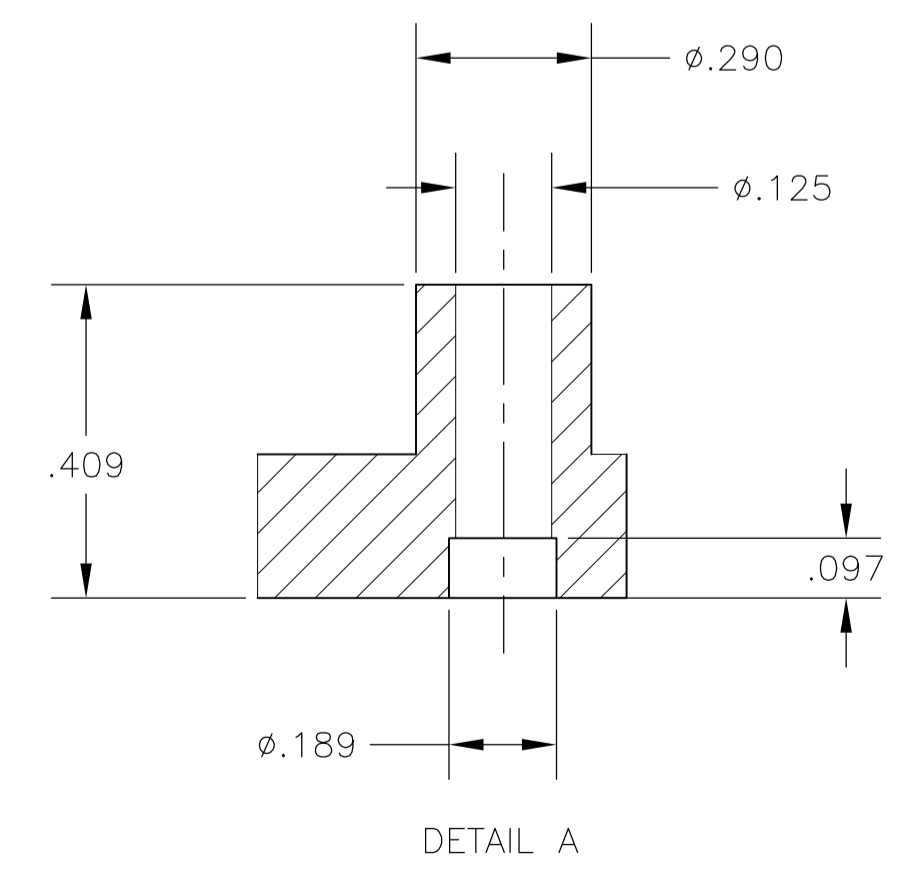
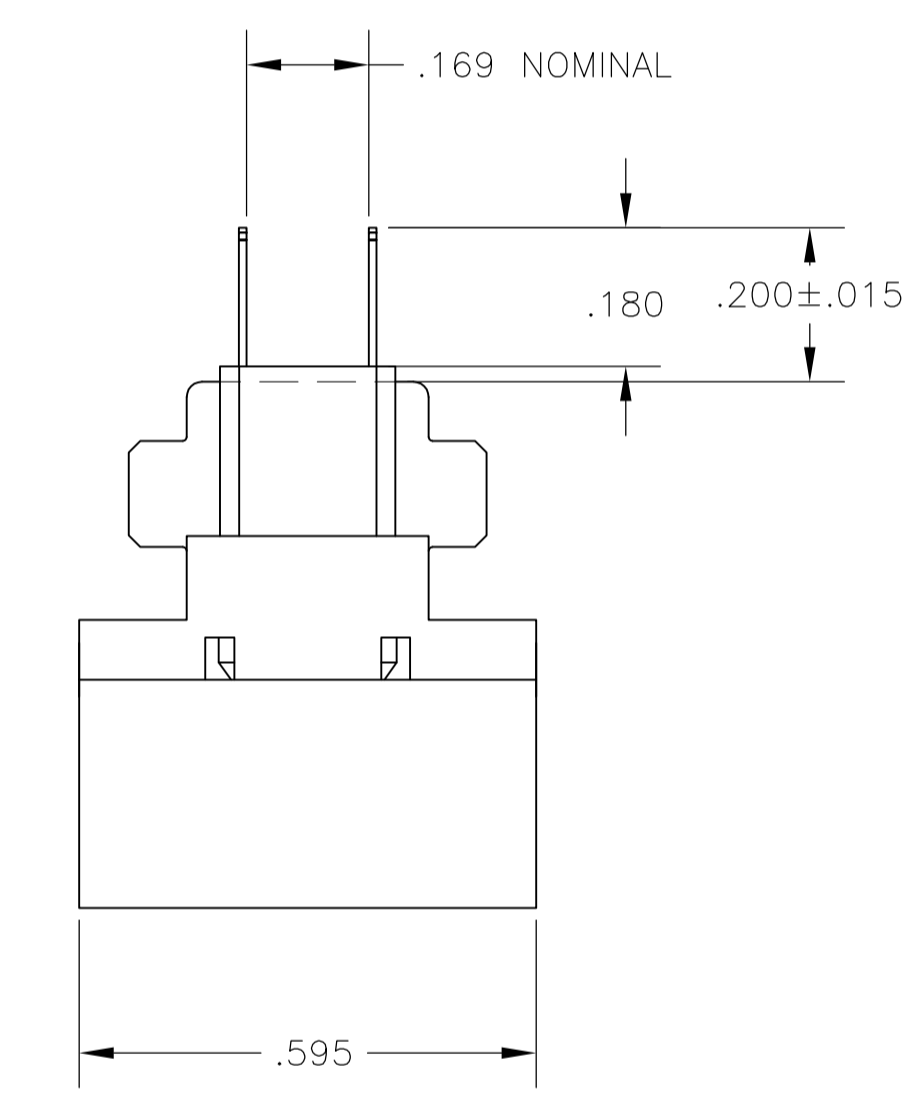


1. THE CONTACT SURFACES OF THE TERMINALS ARE COATED WITH LUBRICANT.
2. MATERIAL: HOUSING - POLYESTER, BLACK. TERMINAL - PHOS BRONZE PLATED WITH EITHER .000030 MINIMUM GOLD PLATE OR GOLD FLASH OVER PALLADIUM NICKEL PLATE, .000030 MINIMUM TOTAL ON MATING SURFACE. .000120 MINIMUM MATTE TIN ON TAILS OVER .000050 MINIMUM NICKEL UNDERPLATE OVER ENTIRE TERMINAL.
3. DIMENSIONS ARE MAXIMUM UNLESS OTHERWISE SPECIFIED.
4. HOUSING MATERIAL WILL WITHSTAND 415' FOR 20 SECONDS. MATERIAL PASSES UL94-VO FLAMMABILITY.



5552116-1 PART NUMBER

THIS DRAWING IS A CONTROLLED DOCUMENT.		DIN B LATTUCA 17AUG05	Tyco Electronics Corporation Harrisburg, PA 17105-3608
DIMENSIONS: INCHES		CHK W. MILLHIMES 17AUG05	
TOLERANCES UNLESS OTHERWISE SPECIFIED:		APP'D M. WALMSLEY 17AUG05	NAME: PLUG ASSY, 50 POSN, VERT MTG, CHAMP-LOK
0 PLC ± -	1 PLC ± -	2 PLC ± -	3 PLC ± -
4 PLC ± -	ANGLES ± -	APPLICATION SPEC	
MATERIAL		FINISH	
WEIGHT		SIZE: A1	CAGE CODE: 00779
CUSTOMER DRAWING		DRAWING NO: 5552116	
SCALE: 4:1		SHEET 1 OF 1	