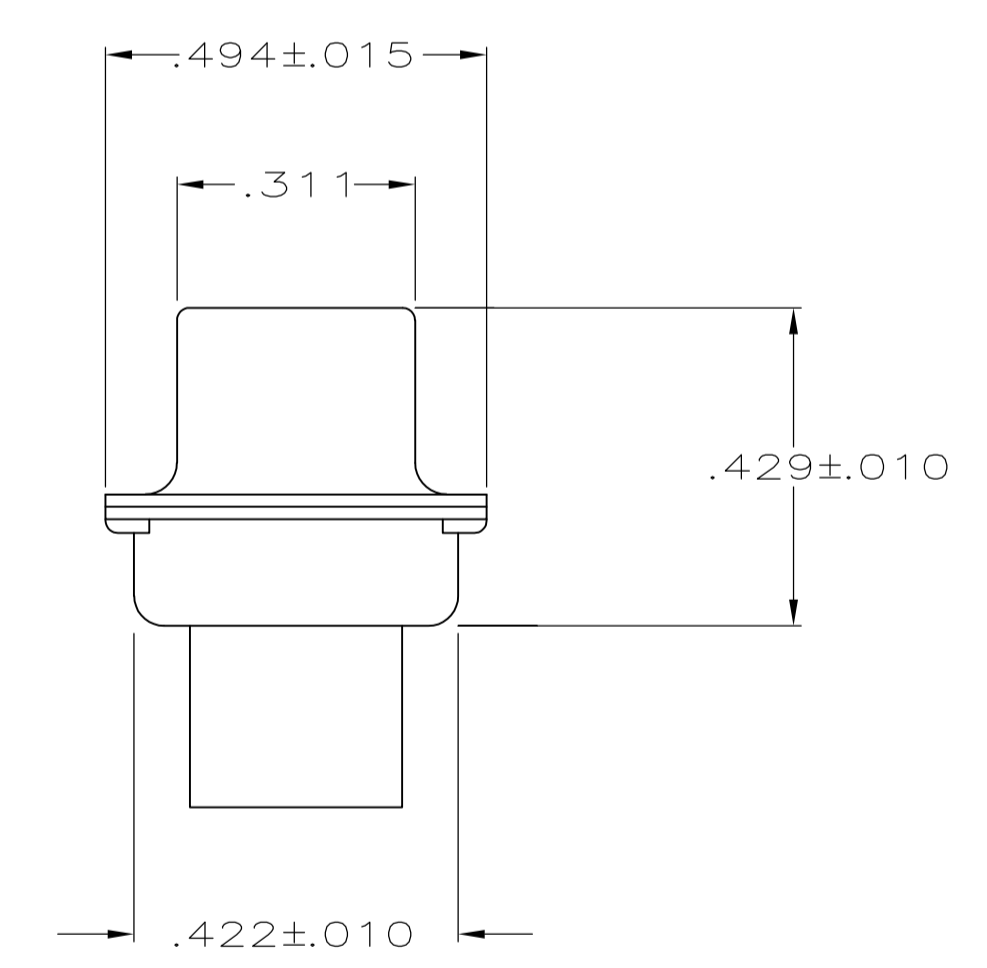
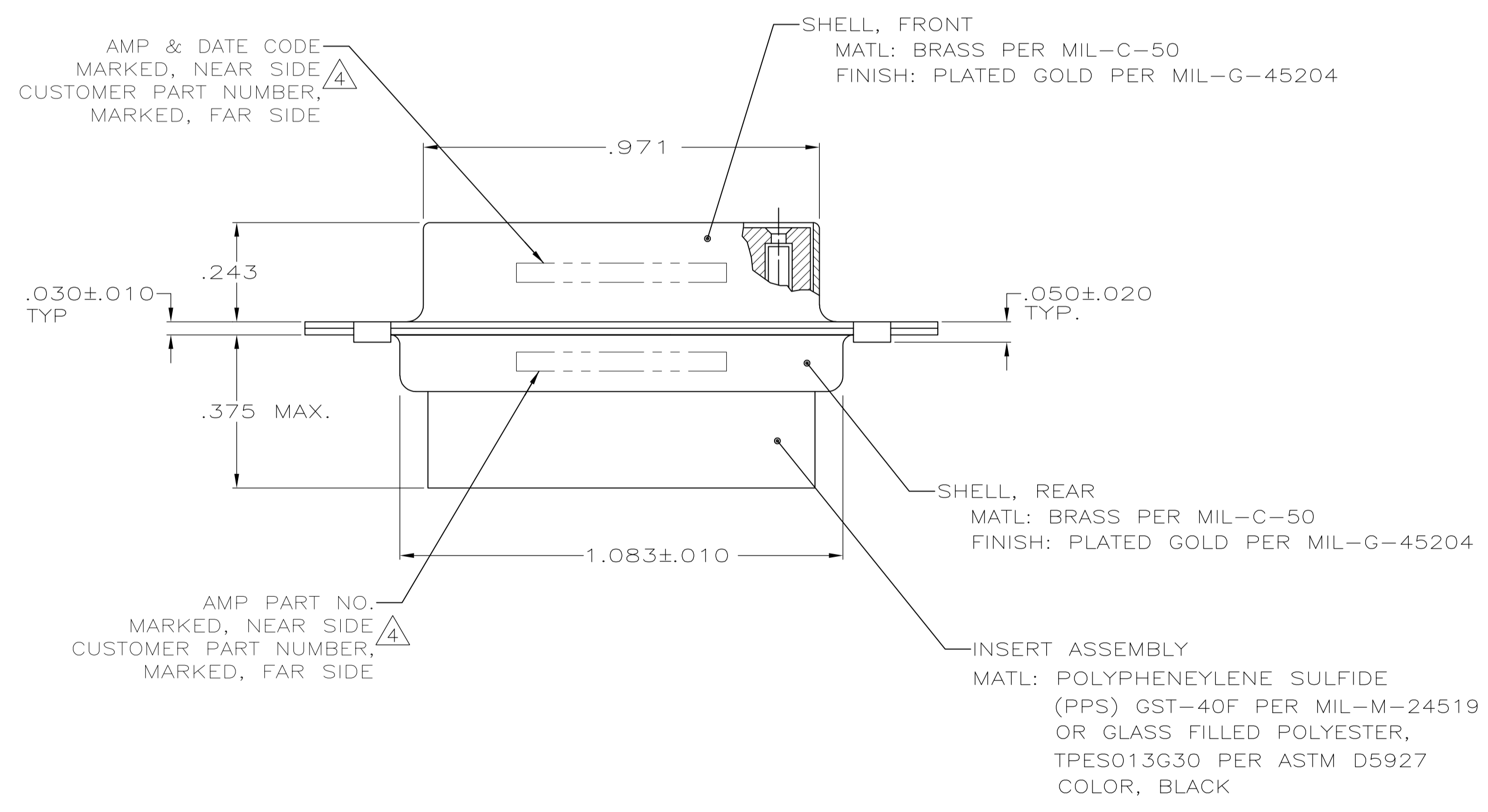
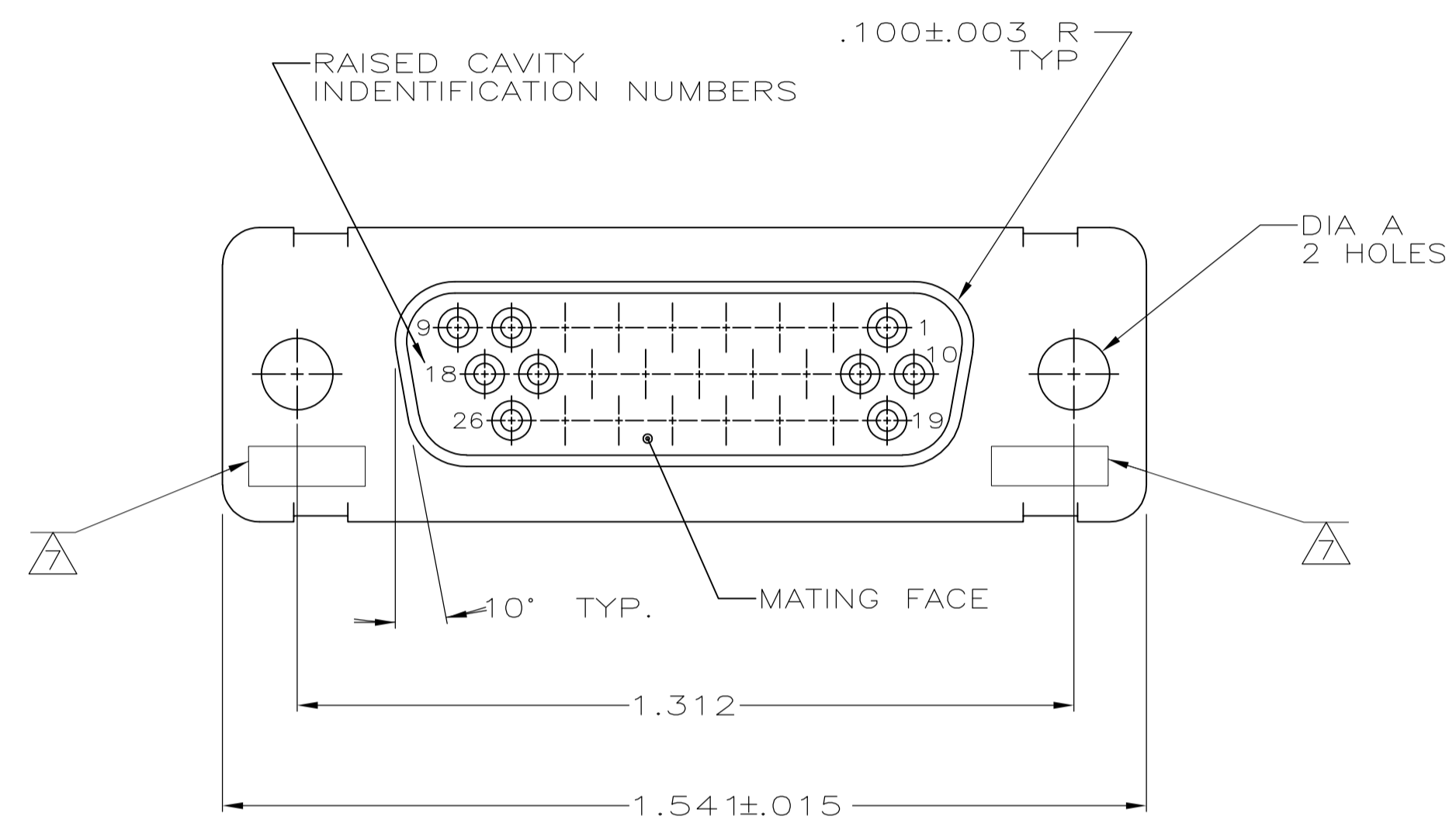


- THIS RECEPTACLE WILL MATE WITH ANY PLUG CONNECTOR WITH THE SAME INSERT ARRANGEMENT AS DEFINED BY MS18274-2.
- MAXIMUM WIRE INSULATION USED WITH THIS RCPT. IS .054 DIA.
- Be-Cu RETENTION CLIPS ARE INCLUDED IN INSERTS.
- CUSTOMER PART NUMBER MAY BE SPLIT BETWEEN FRONT AND REAR SHELLS, SAME SIDE.
- INSPECTION REQUIREMENTS PER R4383.
- CONNECTOR SUPPLIED WITH 29 CONTACTS, AMP PART NUMBER 206071-1. INSPECTION REQUIREMENTS PER R4383 WITHOUT TESTS FOR HIGH ALTITUDE DIELECTRIC WITHSTANDING VOLTAGE AS CALLED FOR IN TABLE II SCREENING AND TESTING.
- UL/CSA DESIGNATION STAMPED IN THIS AREA.
- CONNECTOR SUPPLIED WITH 36 CONTACTS, AMP PART NUMBER 206071-1. CLASS B TESTING PER GE DOCUMENT 20025720, KIT WITH CONTACTS 206071-1.
- THESE CONNECTORS ARE QUALIFIED TO GODDARD SPACE FLIGHT CENTER SPECIFICATION S-311-P-4.
- RESTRICTED TO CAE ELECTRONICS ONLY.



AMP P/N 206071-1
 GSFC P/N G-08-S1
 (SUPPLIED WITH 206064-6 AND 206064-8 ONLY)

9	.120	570566-2	1-206501-0	1-206501-0
8	.120	311P407-2S-B-12	206501-4	206501-9
	.120	20025720P1026S	206501-8	206501-8
	.154	1622380-001	206501-7	206501-7
6	.120	R4383P26S	206501-6	206501-6
5	.120	R4383P26S-2	206501-5	206501-5
4	.120	311P407-2S-B-12	206501-4	206501-4
	.154		206501-3	206501-3
	.120	R9259P26S	206501-2	206501-2
3	.154	311P407-2S-B-15	206501-1	206501-1
REMARKS	DIA A	MARKED CUSTOMER P/N	MARKED AMP P/N	AMP P/N

THIS DRAWING IS A CONTROLLED DOCUMENT.

DESIGNER: YEAGER	DATE: 02OCT2008	Tyco Electronics Corporation Harrisburg, PA 17105-3608
CHK: MILLER	DATE: 05OCT08	
APP'D: MILLER	DATE: 05OCT08	NAME: RECEPTACLE, PIN CONTACTS HI-DENSITY D CONNECTOR SIZE 2, 26 POSN, NONMAGNETIC
PRODUCT SPEC	APPLICATION SPEC	SIZE: A1
MATERIAL: SEE CALLOUTS	FINISH: SEE CALLOUTS	WEIGHT: --
CUSTOMER DRAWING		SCALE: 4:1 SHEET 1 OF 1 REV U