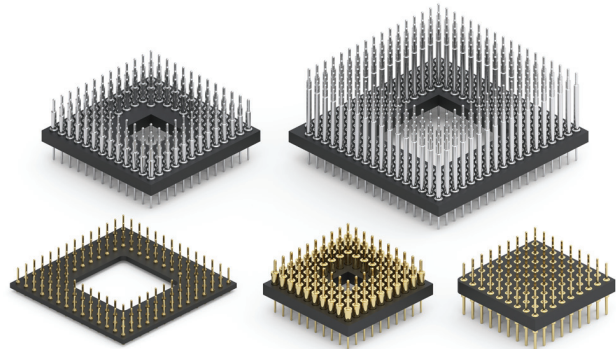


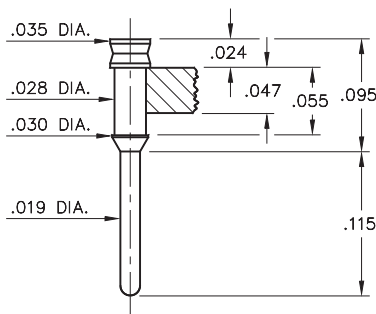
PIN GRID ARRAY HEADERS

SERIES 507, 550, 551, 599 • .100" AND INTERSTITIAL GRID • SURFACE MOUNT AND THROUGH-HOLE

- Series 551 and 599 headers are available on .100" centers
- Series 507 and 550 PGA headers are available for interstitial patterns and designed for SMT adapter applications
- Series 550 and 551 are through-hole mount for adapter & board stacking applications
- Series 550 and 551 use High temperature PCT polyester insulator material suitable for all forms of soldering
- Series 507 and 599 use FR-4 epoxy insulator material
- For Electrical, Mechanical and Environmental Data, see page 137 for details

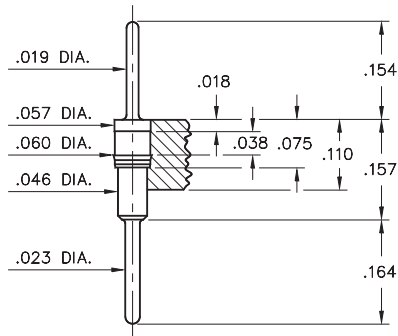


SERIES 507
SMT HEADER PIN TYPE #0737



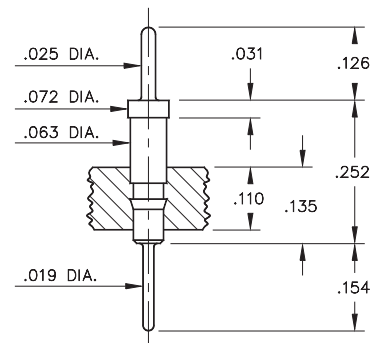
Interstitial Patterns Only

SERIES 550
HEADER PIN TYPE #5012

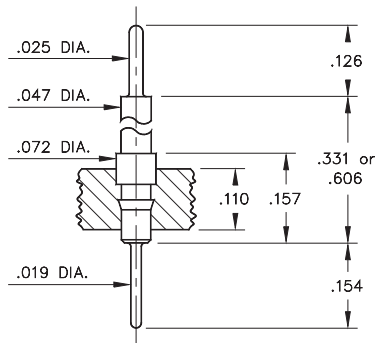


Interstitial Patterns Only

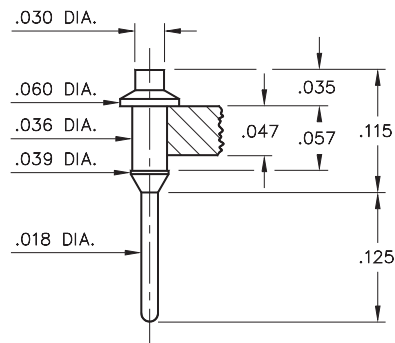
SERIES 551
HEADER PIN TYPE #5503



SERIES 551
HEADER PIN TYPE #5504 & #5505



SERIES 599
SMT HEADER PIN TYPE #9976



XX=Plating Code
See Below

RoHS-2
2011/65/EU

Visit www.mill-max.com/pga to configure a formal part number

SPECIFY PLATING CODE XX =

10

90

40

Pin Plating



10 μ" Au

200 μ" Sn/Pb

200 μ" Sn

