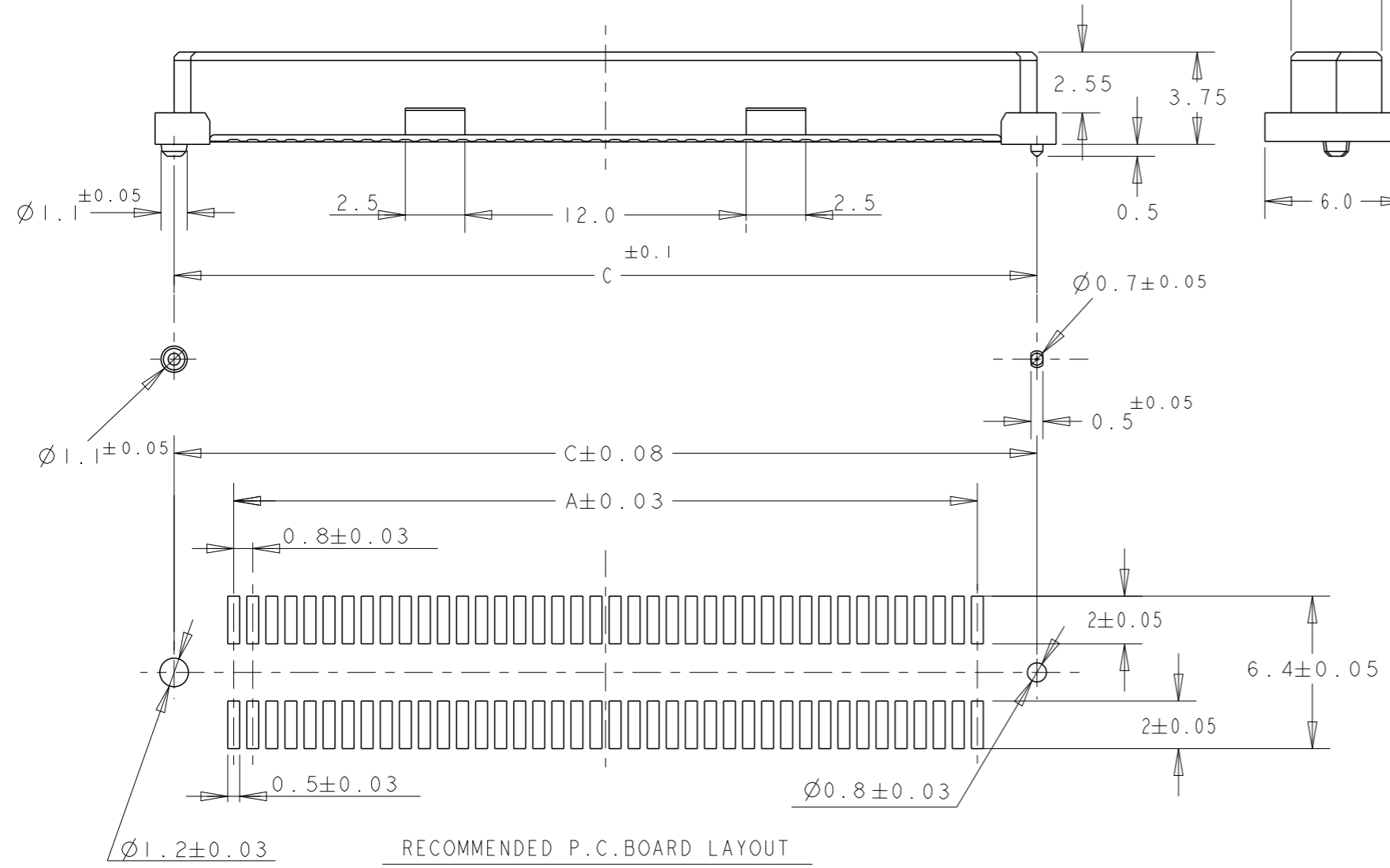
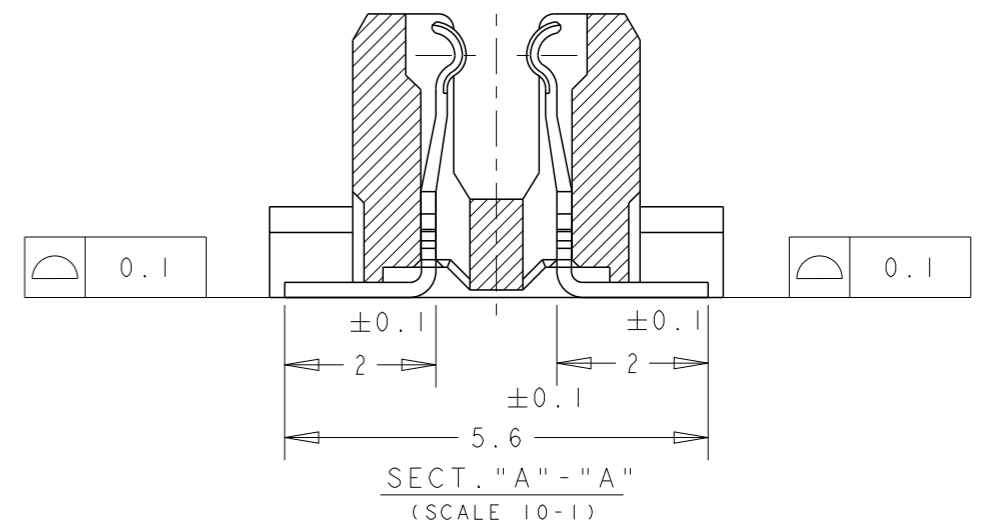
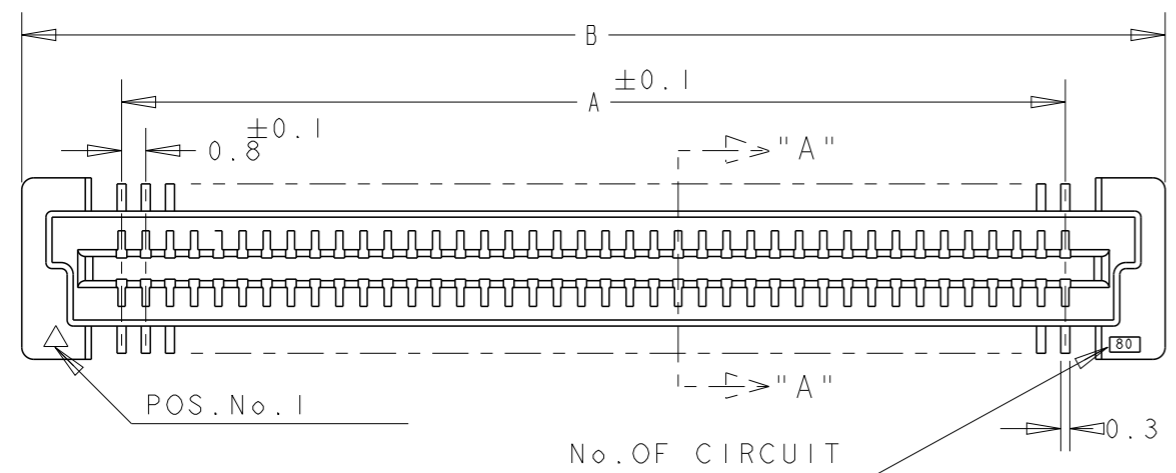


THIS DRAWING IS UNPUBLISHED. RELEASED FOR PUBLICATION 20
 © COPYRIGHT 20 BY - ALL RIGHTS RESERVED.

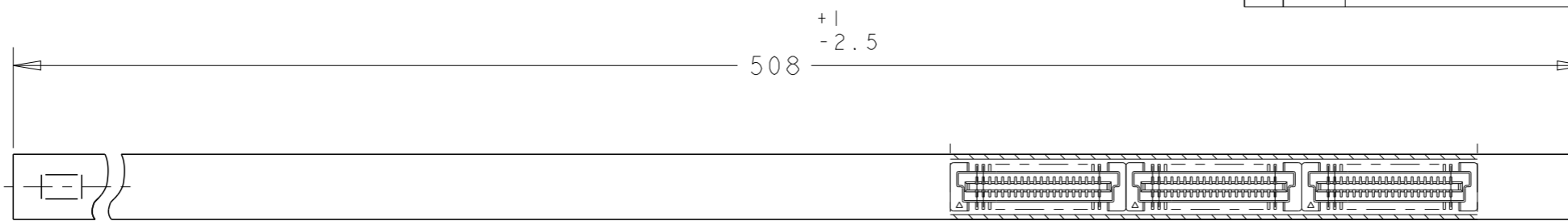
LOC		DIST		REVISIONS			
P	LTR	DESCRIPTION	DATE	DWN	APVD		
DY	-						
	A2	REVISED PER ECR-13-004900	19MAR13	I.T	S.Y		



- NOTES:
- 1. MATERIAL: HOUSING: L.C.P. (HIGH TEMP. THERMOPLASTIC)
UL 94V-0, NATURAL.
CONTACT: BERYLIUM COPPER.
 - 2. FINISH: CONTACT AREA: 0.00076 MIN GOLD ON
0.0013 MIN ALL OVER NICKEL.
SOLDERING AREA: 0.002 MIN MATTE-TIN.
 - 3. POSITION SERIES: SEE TABLE.
 - 4. CONN STACK HEIGHT COMBINE OF PLUG "Y" H VS REC "X" H.
STACK HEIGHT = Y + X - 5

P/N SEE SHEET 2 OF 2

THIS DRAWING IS A CONTROLLED DOCUMENT.		DWN FLORENCE TAN 16SEP04	TE Connectivity	
DIMENSIONS: mm		CHK ERIC TNG 20MAR2013		
TOLERANCES UNLESS OTHERWISE SPECIFIED:		APVD SE LEONG 20MAR2013	NAME REC ASSY FOR FH 0.8BTB CONNECTOR 5H 0.5 BOSS LENGTH (0.76um GOLD)	
0 PLC ±- 1 PLC ±0.30 2 PLC ±0.25 3 PLC ±0.20 4 PLC ±- ANGLES ±3°		PRODUCT SPEC 108-5390	SIZE A3	
MATERIAL -		APPLICATION SPEC 114-5254	CAGE CODE 00779	DRAWING NO G-6123000
FINISH -		WEIGHT -	RESTRICTED TO -	
CUSTOMER DRAWING			SCALE 4:1	SHEET 1 OF 2
			REV A2	

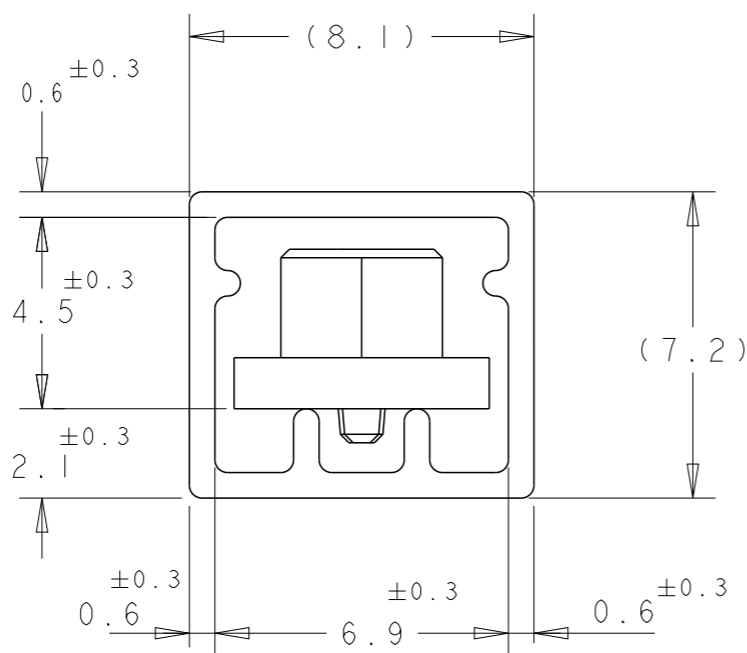
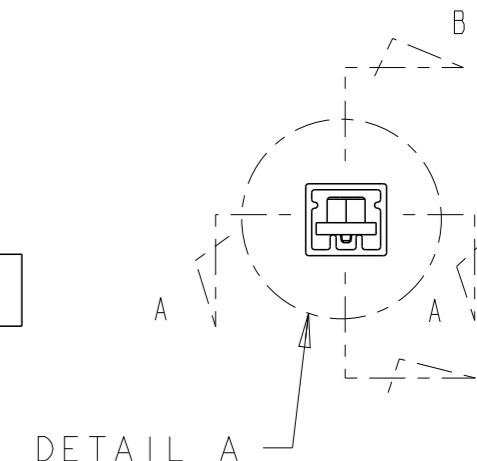


SECT A-A



REFERENCE PICTURE OF TUBE PACK

SECT B-B



DETAIL A

AVAILABLE							
5	84.2	85.8	79.2	200	1-		-0
6	76.2	77.8	71.2	180			-9
6	68.2	69.8	63.2	160			-8
7	60.2	61.8	55.2	140			-6
9	52.2	53.8	47.2	120			-5
10	44.2	45.8	39.2	100			-4
12	36.2	37.8	31.2	80			-3
16	28.2	29.8	23.2	60			-2
22	20.2	21.8	15.2	40			6123000-1
STATUS	QTY	C	B	A	POS.	CONN P/N	

THIS DRAWING IS A CONTROLLED DOCUMENT.

DWN 16SEP04 FLORENCE TAN

CHK 20MAR2013 ERIC TNG

APVD 20MAR2013 SF LEONG

PRODUCT SPEC 108-5390

APPLICATION SPEC 114-5254

WEIGHT -

CUSTOMER DRAWING



NAME REC ASSY FOR FH 0.8BTB CONNECTOR 5H 0.5 BOSS LENGTH (0.76um GOLD)

SIZE A3	CAGE CODE 00779	DRAWING NO C-6123000	RESTRICTED TO -
---------	-----------------	----------------------	-----------------

DIMENSIONS: mm	TOLERANCES UNLESS OTHERWISE SPECIFIED:
	0 PLC \pm
	1 PLC ± 0.30
	2 PLC ± 0.25
	3 PLC ± 0.20
	4 PLC \pm
	ANGLES $\pm 3^\circ$
MATERIAL -	FINISH -

SCALE 4:1	SHEET 2 OF 2	REV A2
-----------	--------------	--------