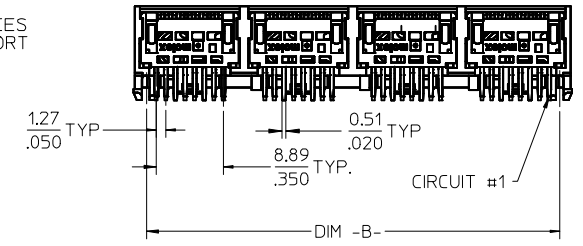
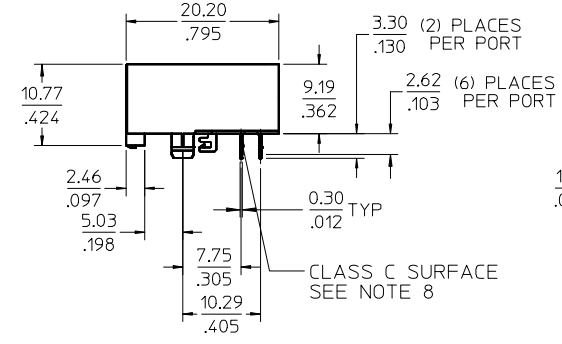
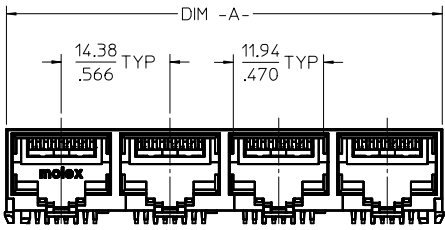
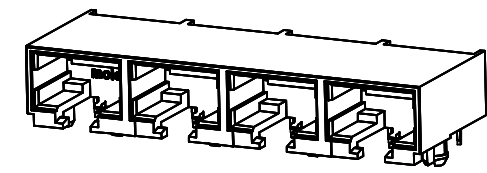


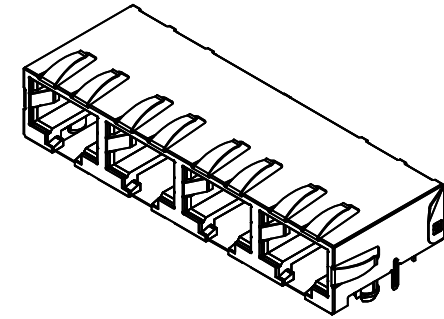
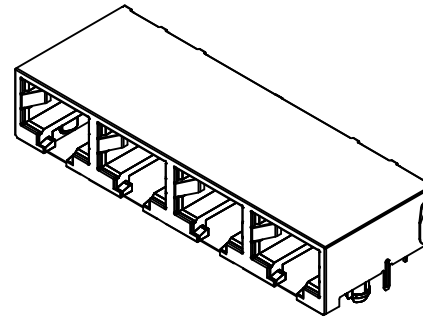
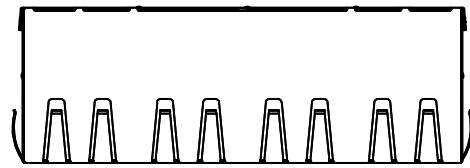
PEG DETAIL  
SCALE 4:1



- NOTES:
- MATERIAL:  
HOUSING: NYLON(PA), GLASS FILLED, UL94V-0, COLOR: BLACK  
TERMINALS: PHOSPHOR BRONZE
  - FINISH:  
TERMINALS:  
SELECT GOLD IN CONTACT AREA: 50 MICROINCHES (1.27 MICROMETERS) MIN.  
SELECT MATTE TIN IN PC TAIL AREA: 100 MICROINCHES (2.54 MICROMETERS) MIN.  
WITH OVERALL NICKEL UNDERPLATE: 50 MICROINCHES (1.27 MICROMETERS) MIN.
  - PRODUCT SPECIFICATION AND PROCESSING PARAMETERS: PS-44560-003.
  - PACKAGING SPECIFICATION:  
2 PORT: CONNECTOR PACKAGED IN TRAYS PER MOLEX PACKAGING SPECIFICATION PK-44560-004  
4 PORT: CONNECTOR PACKAGED IN TRAYS PER MOLEX PACKAGING SPECIFICATION PK-44560-005
  - CONFORMS TO FCC REGULATION PART 68.5 FOR MODULAR JACKS.
  - SEE SHEET (4) OF (4) FOR RECOMMENDED PANEL OPENING AND PCB LAYOUT.
  - TERMINAL LENGTHS MAY BE DIFFERENT FROM TERMINAL TO TERMINAL.
  - THIS PART CONFORMS TO CLASS B REQUIREMENTS OF COSMETIC SPECIFICATION PS-45499-002 WITH THE EXCEPTION OF THE SURFACE INDICATED, WHICH IS A CLASS C SURFACE.
  - THIS PRODUCT IS COMPLIANT TO RoHS DIRECTIVE 2002/95/EC AND ELV ANNEX II OF DIRECTIVE 2000/53/EC.

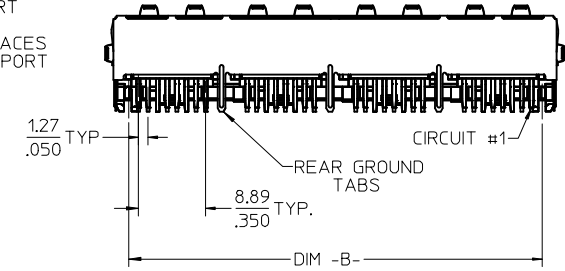
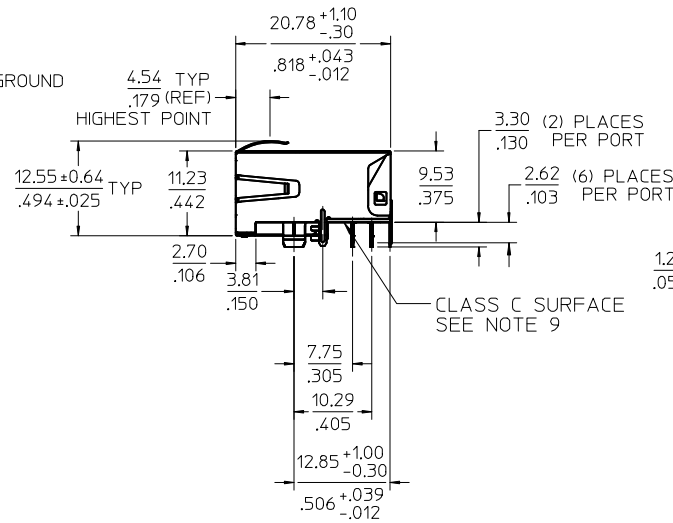
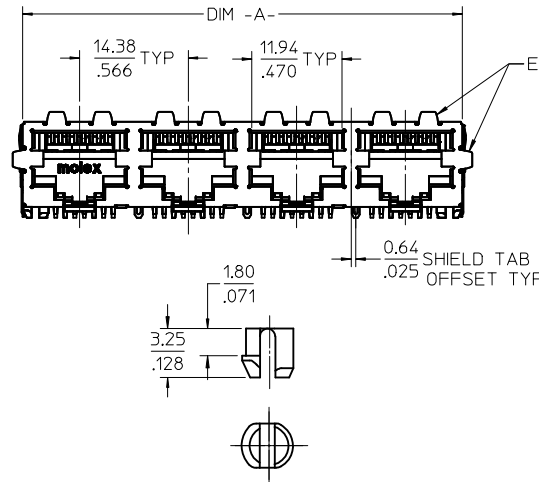
ASSEMBLY MATERIAL NUMBER	NUMBER OF PORTS	DIM -A-	DIM -B-
445600001	2	28.96/1.140	25.68/1.011
445600003	4	57.71/2.272	54.43/2.143

<b>OBsolete PN</b> EC NO: UCP2017-0798 DRW:AFENG02 2016/10/10 CHKD: APPR:KLANG 2016/10/17 REV: G5	QUALITY SYMBOLS	GENERAL TOLERANCES (UNLESS SPECIFIED)	DIMENSION STYLE	SCALE	DESIGN UNITS	THIRD ANGLE PROJECTION
	▽=0	mm INCH	MM/IN	2:1	INCH	
	▽=0	4 PLACES ± --- ± ---	DRAWN BY DATE	TITLE		
	▽=0	3 PLACES ± --- ± .012	MKAMAR 00/03/28	COMPACT GANGED CATEGORY 5E MODJACK		
	▽=0	2 PLACES ± 0.30 ± ---	CHECKED BY DATE	molex		
	1 PLACE ± --- ± ---	MKAMAR 00/03/28	SD-44560-001			
	0 PLACE ± ±	APPROVED BY DATE	SHEET NO. 1 OF 4			
		JROBERTS 00/03/28	THIS DRAWING CONTAINS INFORMATION THAT IS PROPRIETARY TO MOLEX INCORPORATED AND SHOULD NOT BE USED WITHOUT WRITTEN PERMISSION			
		MATERIAL NO.	DOCUMENT NO.			
		SEE CHART				



SHIELDING OPTION -A-  
STANDARD SHIELD  
(SEE CHART)

SHIELDING OPTION -B-  
ENHANCED GROUND TABS  
(SEE CHART)

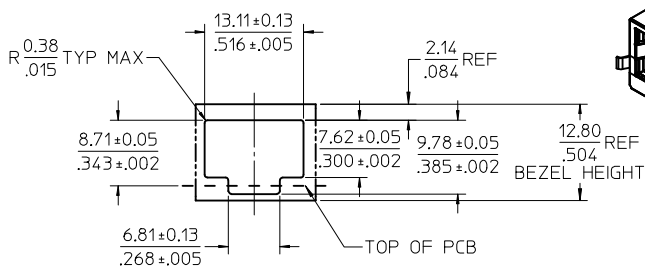
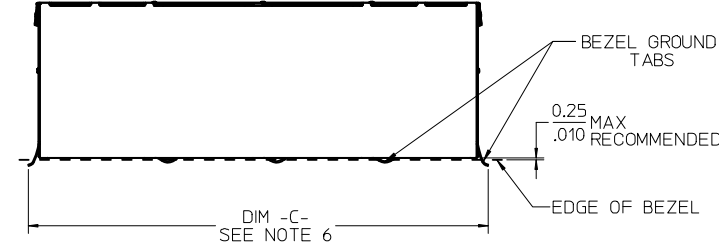


PEG DETAIL  
SCALE 4:1

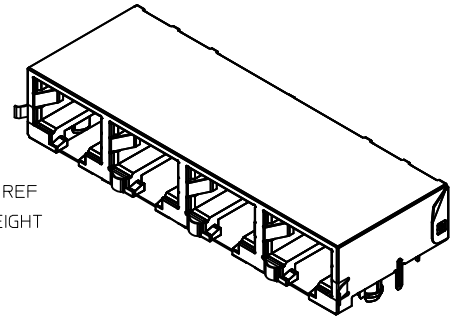
- NOTES:
- MATERIAL:  
HOUSING: NYLON(PA), GLASS FILLED, UL94V-0, COLOR: BLACK  
TERMINALS: PHOSPHOR BRONZE  
SHIELD: BRASS, .0077(0,18) THICK
  - FINISH:  
TERMINALS:  
SELECT GOLD IN CONTACT AREA: 50 MICROINCHES (1.27 MICROMETERS) MIN.,  
SELECT MATTE TIN IN PC TAIL AREA: 100 MICROINCHES (2.54 MICROMETERS) MIN.,  
WITH OVERALL NICKEL UNDERPLATE: 50 MICROINCHES (1.27 MICROMETERS) MIN.  
SHIELD:  
100 MICROINCHES (2.54 MICROMETERS) NICKEL OVER 50 MICROINCHES  
(1.27 MICROMETERS) COPPER UNDERPLATE; PCB GROUND TABS DIPPED IN TIN.
  - PRODUCT SPECIFICATION AND PROCESSING PARAMETERS: PS-44560-003.
  - PACKAGING SPECIFICATION:  
2 PORT: CONNECTOR PACKAGED IN TRAYS PER MOLEX PACKAGING SPECIFICATION  
PK-44560-004  
4 PORT: CONNECTOR PACKAGED IN TRAYS PER MOLEX PACKAGING SPECIFICATION  
PK-44560-005
  - CONFORMS TO FCC REGULATION PART 68.5 FOR MODULAR JACKS.
  - ENHANCED GROUND TABS SHIELD (OPTION -B-) IS SHOWN IN THIS DRAWING. (SEE CHART)
  - SEE SHEET (4) OF (4) FOR RECOMMENDED PANEL OPENING AND PCB LAYOUT.
  - TERMINAL LENGTHS MAY BE DIFFERENT FROM TERMINAL TO TERMINAL.
  - THIS PART CONFORMS TO CLASS B REQUIREMENTS OF COSMETIC SPECIFICATION PS-45499-002 WITH THE EXCEPTION OF THE SURFACE INDICATED, WHICH IS A CLASS C SURFACE.
  - THIS PRODUCT IS COMPLIANT TO RoHS DIRECTIVE 2002/95/EC AND ELV ANNEX II OF DIRECTIVE 2000/53/EC.

ASSEMBLY MATERIAL NUMBER	SHIELDING OPTION	NUMBER OF REAR GROUND TABS	NUMBER OF PORTS	DIM -A-	DIM -B-
445600002	A	1	2	29.44/1.159	25.68/1.011
445600004	A	3	4	58.19/2.291	54.43/2.143
445600012	B	1	2	29.44/1.159	25.68/1.011
445600014	B	3	4	58.19/2.291	54.43/2.143

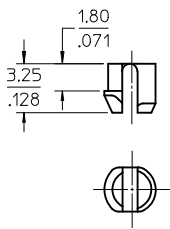
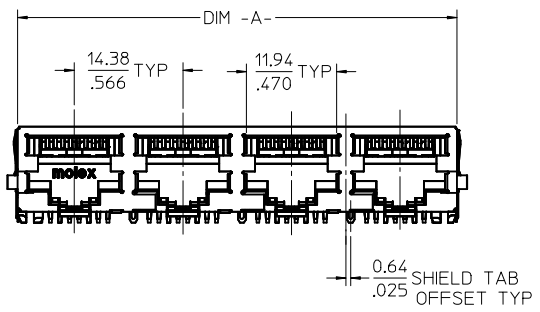
SEE SHEET 1 EC NO: UCP2017-0798 DRW:WAFENG02 2016/10/10 CHKD: APPR:KLANG 2016/10/17	QUALITY SYMBOLS ▽=0 ▽=0 ▽=0	GENERAL TOLERANCES (UNLESS SPECIFIED)		DIMENSION STYLE MM/IN		SCALE 2:1	DESIGN UNITS INCH	THIRD ANGLE PROJECTION	
		mm INCH		DRAWN BY MKAMAR	DATE 00/03/28	TITLE COMPACT GANGED CATEGORY 5E MODJACK			
		4 PLACES ± --- ± --- 3 PLACES ± --- ± .012 2 PLACES ± 0.30 ± --- 1 PLACE ± --- ± --- 0 PLACE ± ±		CHECKED BY MKAMAR	DATE 00/03/28	APPROVED BY JROBERTS			DATE 00/03/28
		ANGULAR ±1/2°		MATERIAL NO. SEE CHART		DOCUMENT NO. SD-44560-001		SHEET NO. 2 OF 4	
G5	REV	DRAFT WHERE APPLICABLE MUST REMAIN WITHIN DIMENSIONS		SIZE C		THIS DRAWING CONTAINS INFORMATION THAT IS PROPRIETARY TO MOLEX INCORPORATED AND SHOULD NOT BE USED WITHOUT WRITTEN PERMISSION			



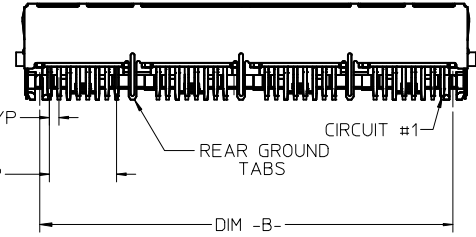
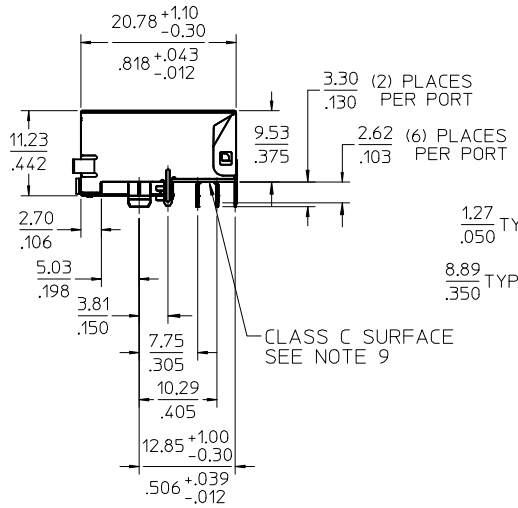
RECOMMENDED  
PANEL OPENING  
(EACH PORT)  
FOR PMC BEZEL ONLY



SHIELDING OPTION -C-  
BEZEL GROUND TABS



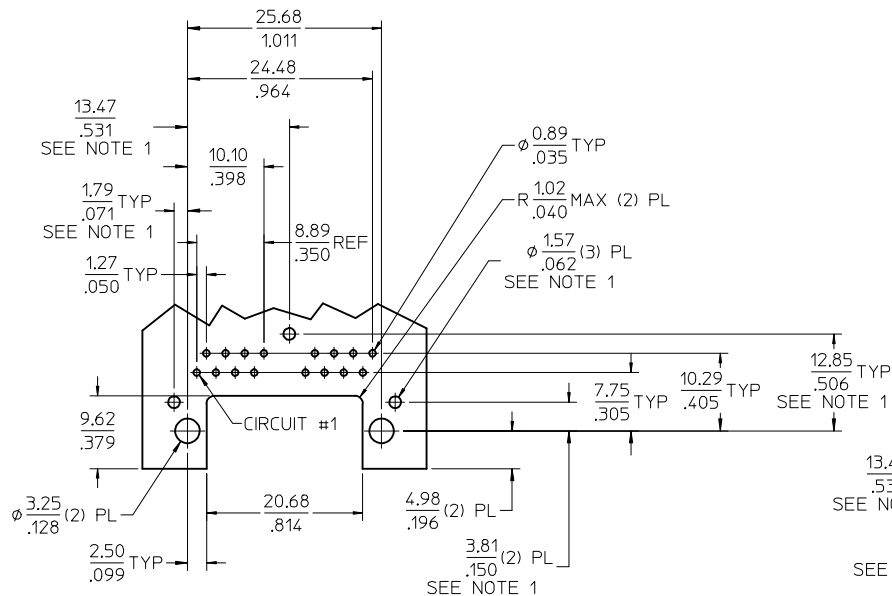
PEG DETAIL  
SCALE 4:1



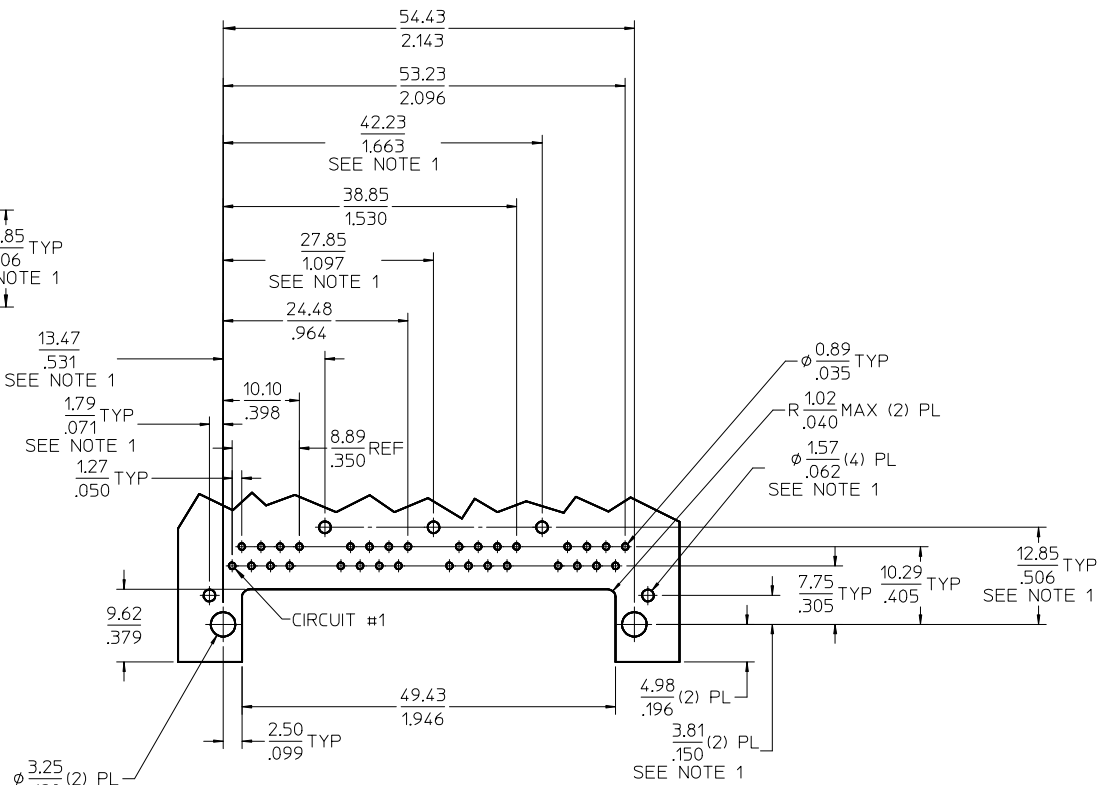
- NOTES:
- MATERIAL:  
HOUSING: NYLON(IPA), GLASS FILLED, UL94V-0, COLOR: BLACK  
TERMINALS: PHOSPHOR BRONZE  
SHIELD: BRASS, .007/(0.18) THICK
  - FINISH:  
TERMINALS:  
SELECT GOLD IN CONTACT AREA: 50 MICROINCHES (1.27 MICROMETERS) MIN.  
SELECT MATTE TIN IN PC TAIL AREA: 100 MICROINCHES (2.54 MICROMETERS) MIN.  
WITH OVERALL NICKEL UNDERPLATE: 50 MICROINCHES (1.27 MICROMETERS) MIN.  
SHIELD:  
100 MICROINCHES (2.54 MICROMETERS) NICKEL OVER 50 MICROINCHES  
(1.27 MICROMETERS) COPPER UNDERPLATE, PCB GROUND TABS DIPPED IN TIN.
  - PRODUCT SPECIFICATION AND PROCESSING PARAMETERS: PS-44560-003.
  - PACKAGING SPECIFICATION:  
2 PORT: CONNECTOR PACKAGED IN TRAYS PER MOLEX PACKAGING SPECIFICATION PK-44560-004  
4 PORT: CONNECTOR PACKAGED IN TRAYS PER MOLEX PACKAGING SPECIFICATION PK-44560-005
  - CONFORMS TO FCC REGULATION PART 68.5 FOR MODULAR JACKS.
  - THIS DIMENSION HAS A MAXIMUM OF 34.82/1.371 FOR THE (2) PORT PART AND 63.57/2.503 FOR THE (4) PORT PART WHEN THE JACK IS INSTALLED BEHIND THE BEZEL.
  - SEE SHEET (4) OF (4) FOR RECOMMENDED PCB LAYOUT.
  - TERMINAL LENGTHS MAY BE DIFFERENT FROM TERMINAL TO TERMINAL.
  - THIS PART CONFORMS TO CLASS B REQUIREMENTS OF COSMETIC SPECIFICATION PS-45499-002 WITH THE EXCEPTION OF THE SURFACE INDICATED, WHICH IS A CLASS C SURFACE.
  - THIS PRODUCT IS COMPLIANT TO RoHS DIRECTIVE 2002/95/EC AND ELV ANNEX II OF DIRECTIVE 2000/53/EC.

*X=NOT TOOLED	ASSEMBLY MATERIAL NUMBER	SHIELDING OPTION	NUMBER OF REAR GROUND TABS	NUMBER OF PORTS	DIM -A-	DIM -B-	DIM -C-
X	445600022	C	1	2	29.44/1.159	25.68/1.011	32.13/1.265
	445600024	C	3	4	58.19/2.291	54.43/2.143	60.88/2.397

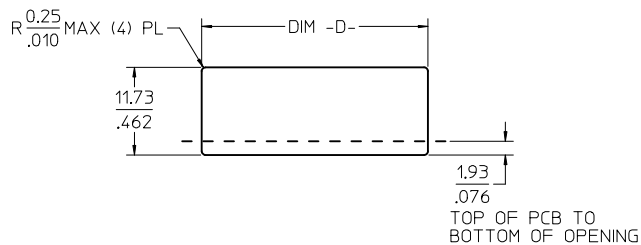
SEE SHEET 1 EC NO: UCP2017-0798 DRW:AFENG02 2016/10/10 CHKD: APPR:KLANG 2016/10/17	QUALITY SYMBOLS ▽=0 ▽=0 ▽=0	GENERAL TOLERANCES (UNLESS SPECIFIED)		DIMENSION STYLE MM/IN		SCALE 2:1	DESIGN UNITS INCH	THIRD ANGLE PROJECTION
		mm	INCH	DRAWN BY MKAMAR	DATE 00/03/28	COMPACT GANGED CATEGORY 5E MODJACK  <b>molex</b> DOCUMENT NO. SD-44560-001 SHEET NO. 3 OF 4		
		4 PLACES ± --- ± ---	3 PLACES ± --- ± .012	CHECKED BY MKAMAR	DATE 00/03/28			
		2 PLACES ± 0.30 ± ---	1 PLACE ± --- ± ---	APPROVED BY JROBERTS	DATE 00/03/28			
0 PLACE ± ±	ANGULAR ±1/2°		MATERIAL NO.					
DRAFT WHERE APPLICABLE MUST REMAIN WITHIN DIMENSIONS		SIZE C	SEE CHART		THIS DRAWING CONTAINS INFORMATION THAT IS PROPRIETARY TO MOLEX INCORPORATED AND SHOULD NOT BE USED WITHOUT WRITTEN PERMISSION			



2 PORT ASSEMBLY  
PCB LAYOUT : COMPONENT SIDE  
RECOMMENDED PCB THICKNESS: 1.57/.062  
TOLERANCE ±.076/.003 UNLESS OTHERWISE SPECIFIED

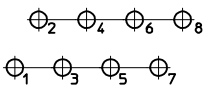


4 PORT ASSEMBLY  
PCB LAYOUT : COMPONENT SIDE  
RECOMMENDED PCB THICKNESS: 1.57/.062  
TOLERANCE ±.076/.003 UNLESS OTHERWISE SPECIFIED



NUMBER OF PORTS	DIM -D-
2	30.20/1.189
4	58.95/2.321

RECOMMENDED  
PANEL OPENING  
SHIELDING OPTIONS  
A AND B

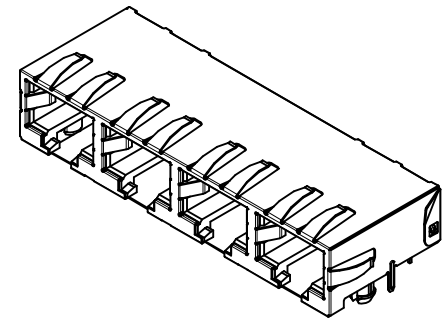
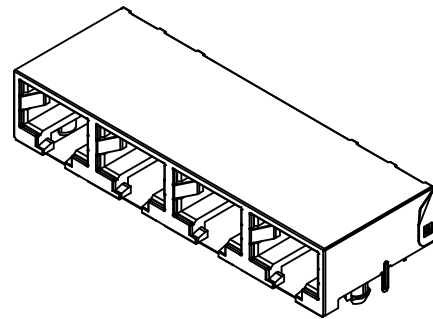
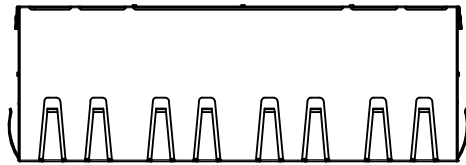


TYPICAL PC TERMINAL HOLE LAYOUT  
SCALE 5:1

NOTES:

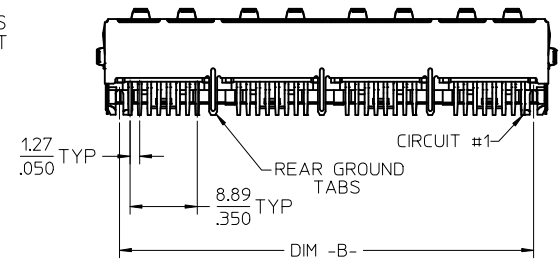
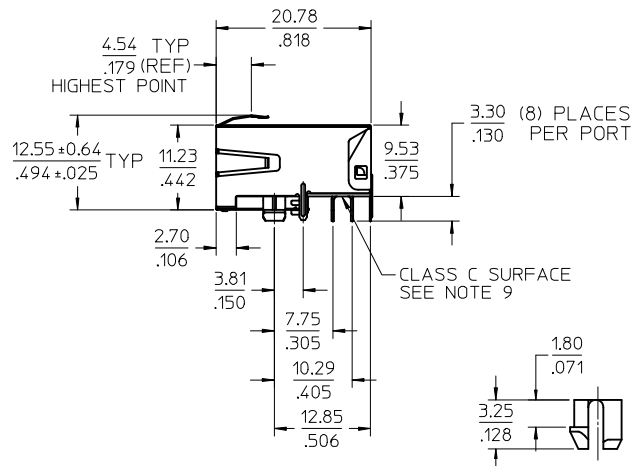
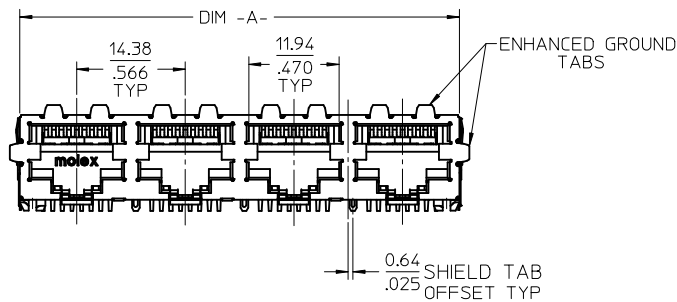
1. DIMENSIONS REFER TO ASSEMBLIES WITH SHIELDING OPTION

SEE SHEET 1 EC NO: UCP2017-0798 DRAWN BY: MKAMAR CHKD: CHPPR:KLANG G5	DESCRIPTION 2016/10/17	QUALITY SYMBOLS	GENERAL TOLERANCES (UNLESS SPECIFIED)	DIMENSION STYLE	SCALE	DESIGN UNITS	THIRD ANGLE PROJECTION	
		▽=0	mm INCH	MM/IN	2:1	INCH	☉	
		▽=0	4 PLACES ± --- ± ---	DRAWN BY DATE	MKAMAR 00/03/28	TITLE	COMPACT GANGED CATEGORY 5E MODJACK	
		▽=0	3 PLACES ± --- ± .012	CHECKED BY DATE	MKAMAR 00/03/28	molex		
			2 PLACES ± 0.30 ± ---	APPROVED BY DATE	JROBERTS 00/03/28	DOCUMENT NO.	SD-44560-001	
			1 PLACE ± --- ± ---	MATERIAL NO.	SEE CHART	SHEET NO.	4 OF 4	
			0 PLACE ± ±	SIZE	C	THIS DRAWING CONTAINS INFORMATION THAT IS PROPRIETARY TO MOLEX INCORPORATED AND SHOULD NOT BE USED WITHOUT WRITTEN PERMISSION		
			ANGULAR ±1/2°					
DRAFT WHERE APPLICABLE MUST REMAIN WITHIN DIMENSIONS								



SHIELDING OPTION -A-  
STANDARD SHIELD  
(SEE CHART)

SHIELDING OPTION -B-  
ENHANCED GROUND TABS  
(SEE CHART)



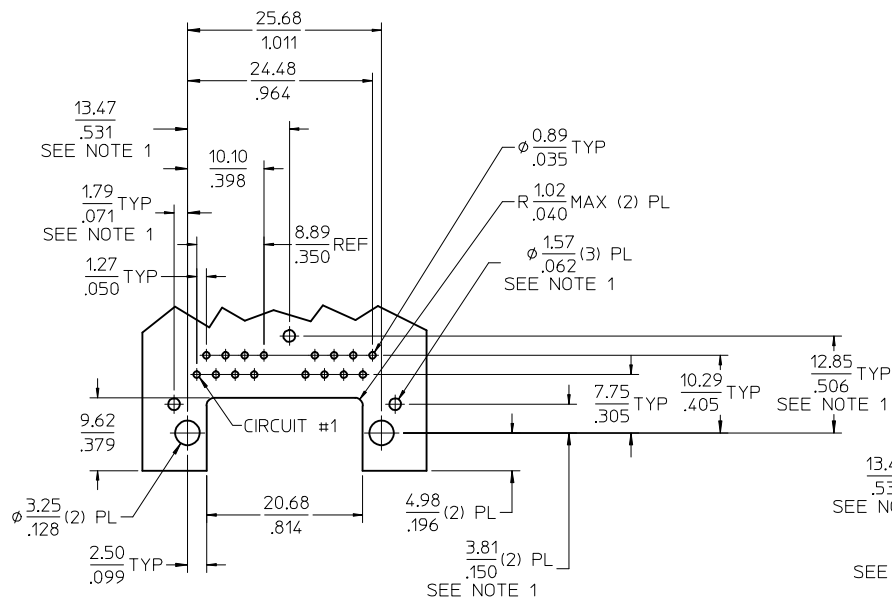
- NOTES:  
1) MATERIAL:  
HOUSING: NYLON(IPA), GLASS FILLED, UL94V-0, COLOR: BLACK  
TERMINALS: PHOSPHOR BRONZE  
SHIELD: BRASS, .007/(0.18) THICK  
2) FINISH:  
TERMINALS:  
SELECT GOLD IN CONTACT AREA: 50 MICROINCHES (1.27 MICROMETERS) MIN.,  
SELECT MATTE TIN IN PC TAIL AREA: 100 MICROINCHES (2.54 MICROMETERS) MIN.,  
WITH OVERALL NICKEL UNDERPLATE: 50 MICROINCHES (1.27 MICROMETERS) MIN.  
SHIELD:  
100 MICROINCHES (2.54 MICROMETERS) NICKEL OVER 50 MICROINCHES  
(1.27 MICROMETERS) COPPER UNDERPLATE; PCB GROUND TABS DIPPED IN TIN.  
3) PRODUCT SPECIFICATION: PS-44560-003.  
4) PACKAGING SPECIFICATION:  
2 PORT: CONNECTOR PACKAGED IN TRAYS PER MOLEX PACKAGING SPECIFICATION  
PK-44560-004  
4 PORT: CONNECTOR PACKAGED IN TRAYS PER MOLEX PACKAGING SPECIFICATION  
PK-44560-005  
5) CONFORMS TO FCC REGULATION PART 68.5 FOR MODULAR JACKS.  
6) ENHANCED GROUND TABS SHIELD (OPTION -B-) IS SHOWN IN THIS  
DRAWING. (SEE CHART)  
7) SEE SHEET (2) OF (2) FOR RECOMMENDED PANEL OPENING AND PCB LAYOUT.  
8) CAT 5e PERFORMANCE IS NOT SPECIFIED FOR THIS MODULAR JACK BECAUSE  
OF THE EVEN TERMINAL TAILS.  
9) THIS PART CONFORMS TO CLASS B REQUIREMENTS OF COSMETIC  
SPECIFICATION PS-45499-002 WITH THE EXCEPTION OF THE SURFACE  
INDICATED, WHICH IS A CLASS C SURFACE.  
10) THIS PRODUCT IS COMPLIANT TO RoHS DIRECTIVE 2002/95/EC AND ELV ANNEX  
II OF DIRECTIVE 2000/53/EC.



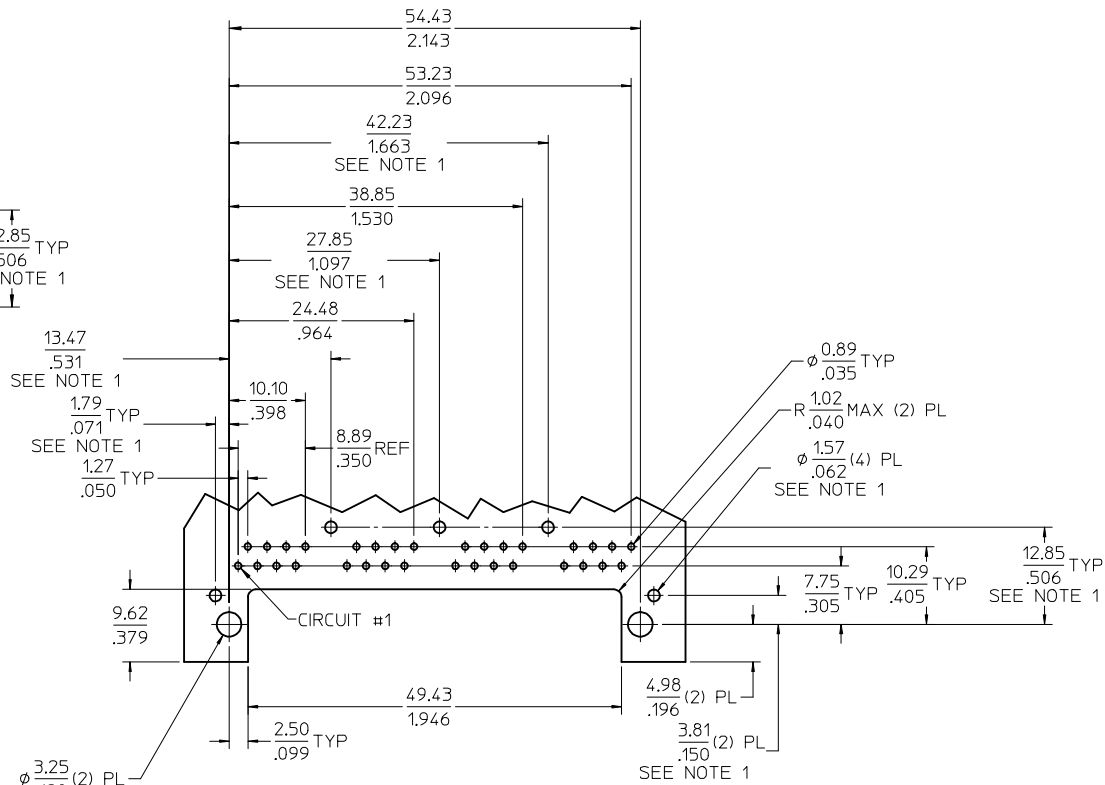
PEG DETAIL  
SCALE 4:1

ASSEMBLY MATERIAL NUMBER	SHIELDING OPTION	NUMBER OF REAR GROUND TABS	NUMBER OF PORTS	DIM -A-	DIM -B-
445600112	B	1	2	29.44/1.159	25.68/1.011

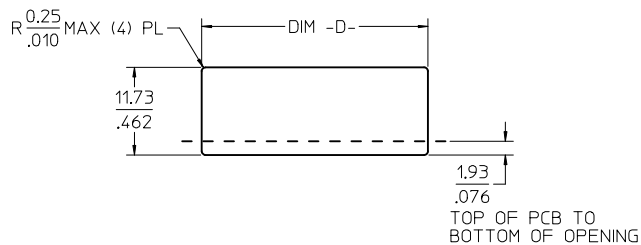
CREATE DWG EC NO: UCP2013-0627 DRW: NGUYEN CHKD: JELL APPR: FSMITH 2012/08/14 2012/08/14 2012/08/27	DESCRIPTION REV A	QUALITY SYMBOLS ∇=0 ∇=0 ∇=0	GENERAL TOLERANCES (UNLESS SPECIFIED) mm INCH 4 PLACES ± --- ± --- 3 PLACES ± --- ± .012 2 PLACES ± 0.30 ± --- 1 PLACE ± --- ± --- 0 PLACE ± ±	DIMENSION STYLE MM/IN DRAWN BY DATE NGUYEN 2012/08/14 CHECKED BY DATE JBELL 2012/08/14 APPROVED BY DATE FSMITH 2012/08/27	SCALE 2:1 DESIGN UNITS INCH THIRD ANGLE PROJECTION	COMPACT GANGED MODJACK EVEN TAILS <b>molex</b>	MATERIAL NO. SEE CHART DOCUMENT NO. RSD-44560-001 SHEET NO. 1 OF 2
		DRAFT WHERE APPLICABLE MUST REMAIN WITHIN DIMENSIONS			SIZE C	THIS DRAWING CONTAINS INFORMATION THAT IS PROPRIETARY TO MOLEX INCORPORATED AND SHOULD NOT BE USED WITHOUT WRITTEN PERMISSION	



2 PORT ASSEMBLY  
PCB LAYOUT : COMPONENT SIDE  
RECOMMENDED PCB THICKNESS: 1.57/.062  
TOLERANCE ±.076/.003 UNLESS OTHERWISE SPECIFIED

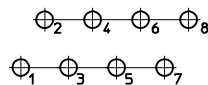


4 PORT ASSEMBLY  
PCB LAYOUT : COMPONENT SIDE  
RECOMMENDED PCB THICKNESS: 1.57/.062  
TOLERANCE ±.076/.003 UNLESS OTHERWISE SPECIFIED



NUMBER OF PORTS	DIM -D-
2	30.20/1.189
4	58.95/2.321

RECOMMENDED  
PANEL OPENING  
SHIELDING OPTIONS  
A AND B



TYPICAL PC TERMINAL HOLE LAYOUT  
SCALE 5:1

NOTES:

1. DIMENSIONS REFER TO ASSEMBLIES WITH SHIELDING OPTION

SEE SHEET 1 EC NO: UCP2013-0627 DRW: NNGUYEN CHKD: JBELL APPR: FSMITH	DESCRIPTION 2012/08/14 2012/08/14 2012/08/27	QUALITY SYMBOLS ▽=0 ▽=0 ▽=0	GENERAL TOLERANCES (UNLESS SPECIFIED)		DIMENSION STYLE MM/IN		SCALE 2:1	DESIGN UNITS INCH	THIRD ANGLE PROJECTION	
			mm	INCH	DRAWN BY NNGUYEN	DATE 2012/08/14	COMPACT GANGED MODJACK EVEN TAILS <b>molex</b>			
			4 PLACES ±---	±---	CHECKED BY JBELL	DATE 2012/08/14				
			3 PLACES ±---	±.012	APPROVED BY FSMITH	DATE 2012/08/27				
ANGULAR ±1/2°			MATERIAL NO. SEE SHEET 1		DOCUMENT NO. RSD-44560-001		SHEET NO. 2 OF 2		THIS DRAWING CONTAINS INFORMATION THAT IS PROPRIETARY TO MOLEX INCORPORATED AND SHOULD NOT BE USED WITHOUT WRITTEN PERMISSION	
DRAFT WHERE APPLICABLE MUST REMAIN WITHIN DIMENSIONS			SIZE C							