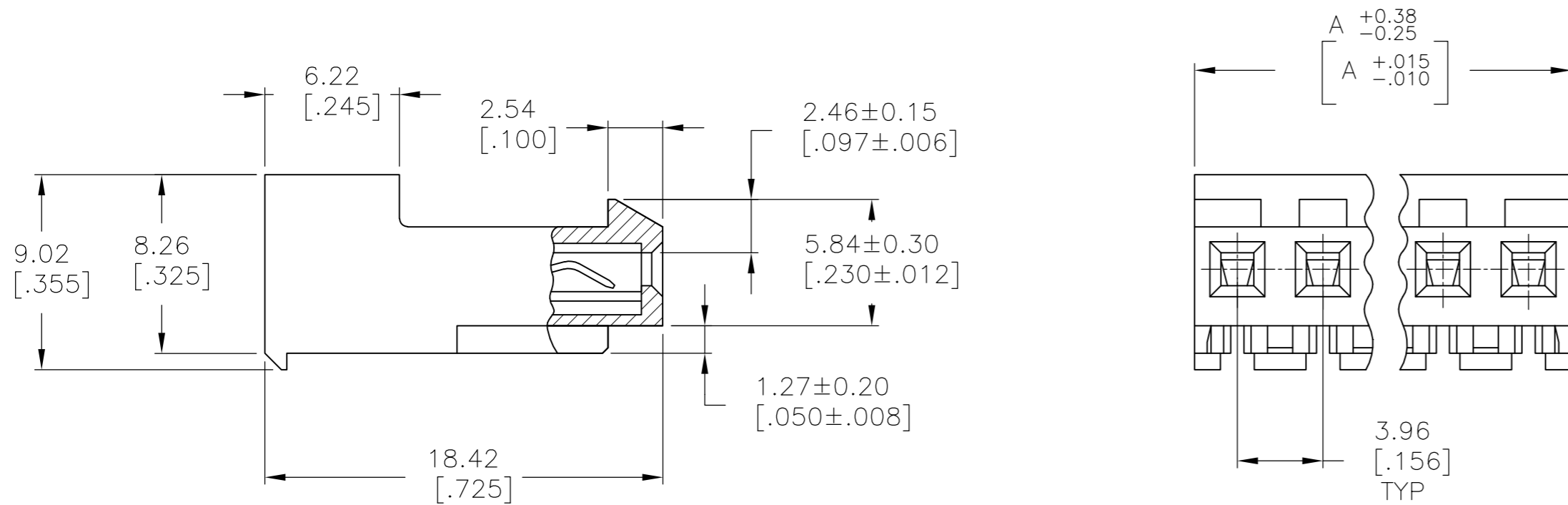
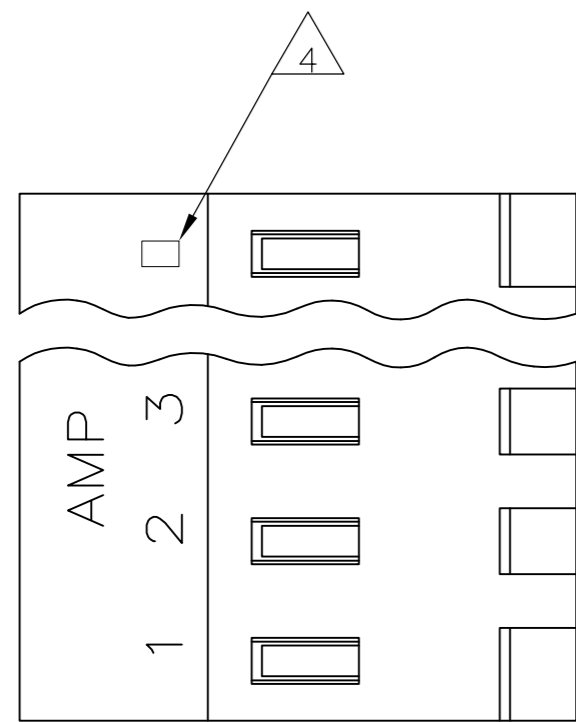


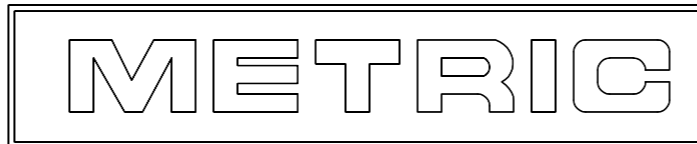
THIS DRAWING IS UNPUBLISHED. RELEASED FOR PUBLICATION
 © COPYRIGHT - By - ALL RIGHTS RESERVED.

LOC	DIST	REVISIONS					
		P	LTR	DESCRIPTION	DATE	DWN	APVD
CM	54	S		REVISED PER ECO-12-007610	25JUL12	KH	SM



- 1 MATERIAL: CONNECTOR - NYLON UL94V-2.
 CONTACTS - 0.30[.012] THICK COPPER ALLOY
 0.00076[.000030] GOLD THK OR 0.00008[.000003] MIN THK
 GOLD FLASH OVER 0.00068[.000027] THK PALLADIUM NICKEL,
 PER TE CONNECTIVITY'S DISCRETION. IN CONTACT
 AREA WITH BRIGHT TIN-LEAD FOR 641219-2
 THRU 2-641219-4, MATTE WHISKER MITIGATED TIN FOR 3-641219-2
 THRU 5-641219-4 OVER NICKEL UNDERPLATE.
- 2 CONTACTS ACCEPT 22 AWG WIRE WITH 2.41[.095] MAX
 INSULATION DIAMETER.
- 3 CONTACTS MUST ACCEPT 1.14±0.03 [.045±.001] SQUARE
 POST AND REMAIN LOCKED IN POSITION.
- 4 IDENTIFICATION NUMBER FOR LAST CIRCUIT MAY
 NOT APPEAR ON ALL ASSEMBLIES.
- 5 DIMENSIONS IN BRACKETS ARE IN INCHES.
- 6 HOUSING FEATURES ARE: CLOSED END WITH LOCKING
 RAMP.
- 7 OBSOLETE PARTS: OBSOLETE CIS STREAMLINING PER D.RENAUD/D.SINISI.
- 8 RED COLOR STRIPE ON HOUSING (NOT SHOWN) MAY RUN DOWN BETWEEN RIBS.

	DIM A	NO OF CIRCUITS	PART NO	
	95.10 [3.744]	24	5-641219-4	
	91.14 [3.588]	23	5-641219-3	
	87.17 [3.432]	22	5-641219-2	
	83.21 [3.276]	21	5-641219-1	
	79.25 [3.120]	20	5-641219-0	
	75.29 [2.964]	19	4-641219-9	
	71.32 [2.808]	18	4-641219-8	
	67.36 [2.652]	17	4-641219-7	
	63.40 [2.496]	16	4-641219-6	
	59.44 [2.340]	15	4-641219-5	
	55.47 [2.184]	14	4-641219-4	
	51.51 [2.028]	13	4-641219-3	
	47.55 [1.872]	12	4-641219-2	
	43.59 [1.716]	11	4-641219-1	
	39.62 [1.560]	10	4-641219-0	
	35.66 [1.404]	9	3-641219-9	
	31.70 [1.248]	8	3-641219-8	
	27.74 [1.092]	7	3-641219-7	
	23.77 [.936]	6	3-641219-6	
	19.81 [.780]	5	3-641219-5	
	15.85 [.624]	4	3-641219-4	
	11.89 [.468]	3	3-641219-3	
	7.92 [.312]	2	3-641219-2	
7	SUPERCEDED BY 5-641219-4	95.10 [3.744]	24	2-641219-4
7	SUPERCEDED BY 5-641219-3	91.14 [3.588]	23	2-641219-3
7	SUPERCEDED BY 5-641219-2	87.17 [3.432]	22	2-641219-2
7	SUPERCEDED BY 5-641219-1	83.21 [3.276]	21	2-641219-1
7	SUPERCEDED BY 5-641219-0	79.25 [3.120]	20	2-641219-0
7	SUPERCEDED BY 4-641219-9	75.29 [2.964]	19	1-641219-9
7	SUPERCEDED BY 4-641219-8	71.32 [2.808]	18	1-641219-8
7	SUPERCEDED BY 4-641219-7	67.36 [2.652]	17	1-641219-7
7	SUPERCEDED BY 4-641219-6	63.40 [2.496]	16	1-641219-6
7	SUPERCEDED BY 4-641219-5	59.44 [2.340]	15	1-641219-5
7	SUPERCEDED BY 4-641219-4	55.47 [2.184]	14	1-641219-4
7	SUPERCEDED BY 4-641219-3	51.51 [2.028]	13	1-641219-3
7		47.55 [1.872]	12	1-641219-2
7	SUPERCEDED BY 4-641219-1	43.59 [1.716]	11	1-641219-1
7	SUPERCEDED BY 4-641219-0	39.62 [1.560]	10	1-641219-0
7		35.66 [1.404]	9	641219-9
7		31.70 [1.248]	8	641219-8
7		27.74 [1.092]	7	641219-7
7	SUPERCEDED BY 3-641219-6	23.77 [.936]	6	641219-6
7		19.81 [.780]	5	641219-5
7		15.85 [.624]	4	641219-4
7		11.89 [.468]	3	641219-3
7		7.92 [.312]	2	641219-2



THIS DRAWING IS A CONTROLLED DOCUMENT.		DWN B. LEWIS 12 FEB 91	TE Connectivity	
DIMENSIONS: mm [INCHES]		CHK R. SWING 12 FEB 91	MTA-156 CONNECTOR ASSEMBLY, 22 AWG, STANDARD	
TOLERANCES UNLESS OTHERWISE SPECIFIED:		APVD D. CLARK 20 FEB 91	RESTRICTED TO	
0 PLC ± -		PRODUCT SPEC 108-1051	SIZE A2	CAGE CODE 00779
1 PLC ± -		APPLICATION SPEC 114-1020	DRAWING NO C-641219	SCALE 4:1
2 PLC ± -		WEIGHT -	SHEET 1 OF 1	REV S
3 PLC ± -		CUSTOMER DRAWING		
4 PLC ± -				
ANGLES ± -				
FINISH				