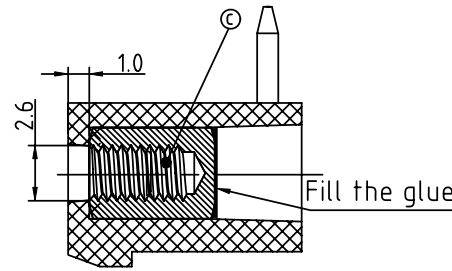
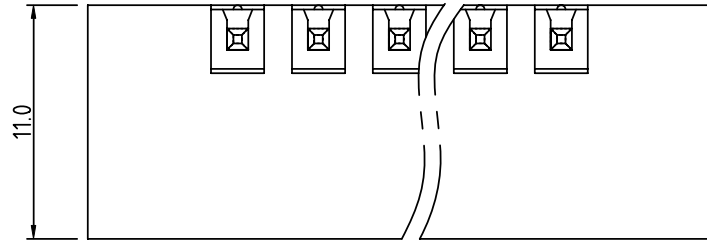
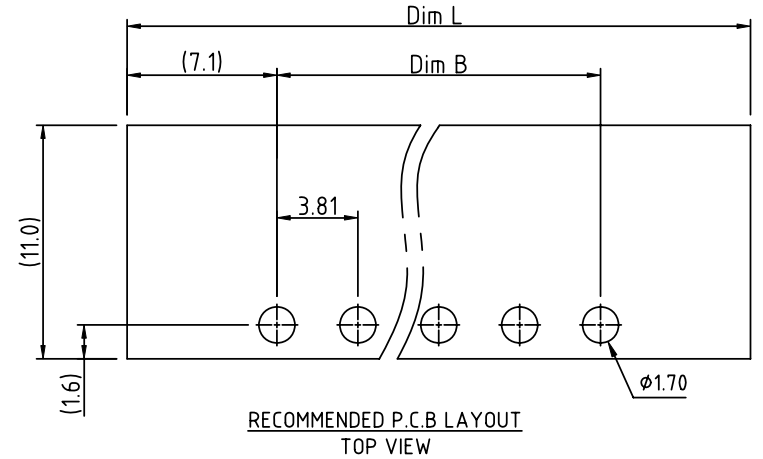


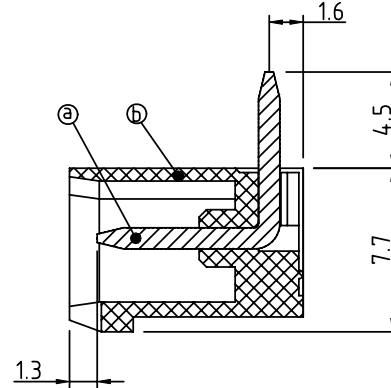
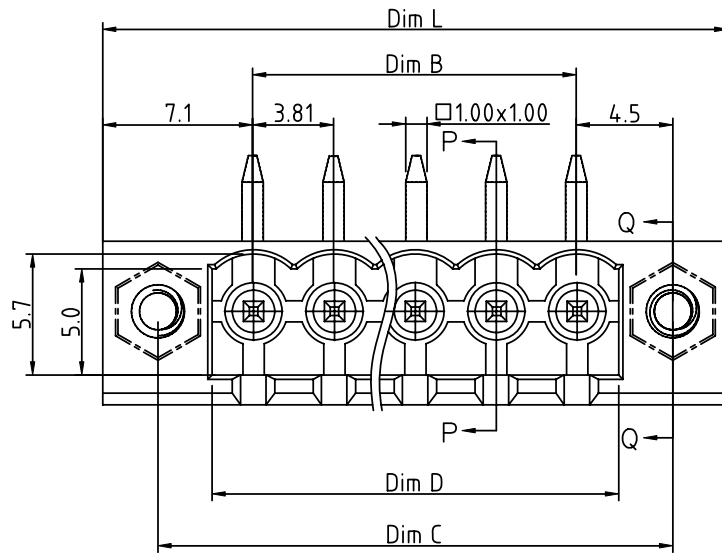
| | |
|----------------|---------|
| PRODUCT NUMBER | PITCH |
| VExx32x100J0G | 3.81 mm |



SECTION Q-Q



RECOMMENDED P.C.B LAYOUT
TOP VIEW



SECTION P-P

Material:

- Item ① Contact pin: Copper, Tin plated
 - Item ② Terminal(housing): Thermoplastic (UL94V-0)
 - Item ③ With flange nut: Brass ,M2.5
- Electrical:
- Voltage rating: 300V
 - Current rating: 8A
 - Withstanding Voltage: 1.6 KV
 - Operating temperature: -40°C to +115°C
 - Soldering temperature: 260°C±5°C/5 Sec
 - Safety Approval:

N=Number of poles

| | |
|-------|---------------------------|
| Dim L | $N \times 3.81 + 10.39$ |
| Dim B | $(N-1) \times 3.81$ |
| Dim C | $(N-1) \times 3.81 + 9.0$ |
| Dim D | $(N-1) \times 3.81 + 3.9$ |

| Poles | Dim B | Dim L & C | Dim D |
|--------|-------|-----------|-------------|
| 2-5P | ±0.10 | ±0.15 | +0.35 -0 |
| 6-10P | ±0.15 | ±0.20 | |
| 11-15P | ±0.20 | ±0.25 | |
| 16-24P | ±0.25 | ±0.35 | |

PART NO.: VE xx 32 x 1 00J0 G

| Solid block | No. of poles | Color | RoHS compliant |
|-------------|--------------|-------------------|------------------------------|
| 0 | 2 | Black (RAL9005) | (lead<4%) In copper Alloy |
| 02 | 2 poles | Red (RAL3001/D) | |
| 03 | 3 poles | Orange(RAL2011/P) | |
| 4 | 3 poles | Yellow(RAL1018/A) | |
| 5 | ... | Green(RAL6018/T) | |
| 6 | 24 poles | Blue (RAL5015/A) | |
| 8 | | Grey(RAL7035/D) | |
| 9 | | White(RAL1102) | |
| C | | Green(RAL6018/U) | |

| | | | | | |
|-------------|----------------|-----------------------|-------------------------|---------------------------------------|---|
| mat'l. code | | surface ASME Y14.5 | tolerance ASME Y14.5 | projection | product family TERMINAL BLOCK |
| ltr | ecn no | dr | date | tolerances unless otherwise specified | title TERMINAL BLOCK |
| | | | | angles $X \pm 0.5$ | PLUGGABLE SOCKET, VERTICAL, WITH FLANGE |
| | | | | $X.X \pm 0.3$ | scale MM |
| | | | | $X \pm 1^*$ | scale MM |
| dr | EVIN ZHONG | 042214 | | | dwg no VExx32x100J0G |
| enr | EVIN ZHONG | 042214 | | | sheet 1 of 1 |
| chr | HANKE FENG | 042214 | | | size A4 |
| appd | SHI JUN | 042214 | | | type CUSTOMER Drawing |
| sheet index | revision sheet | A | 1 | | |