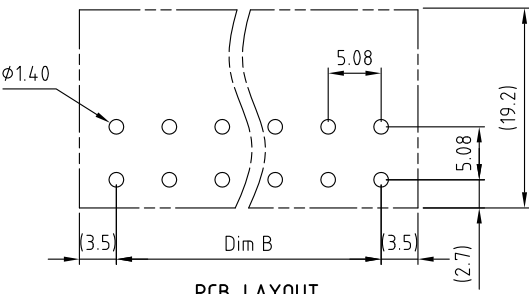
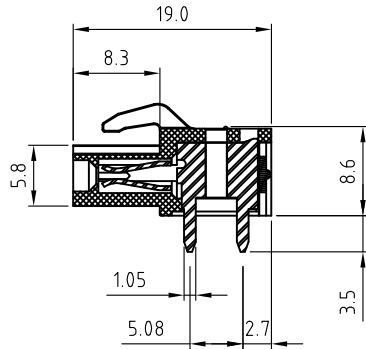
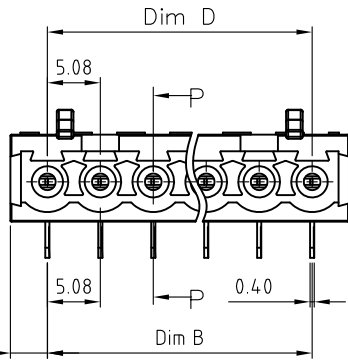
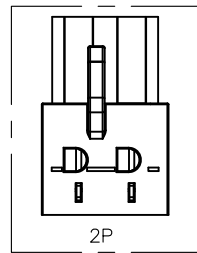
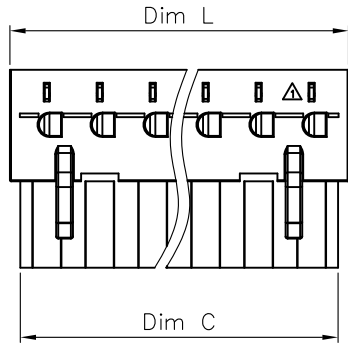


SIGN	DATE	DESCRIPTION	APPROVER
THIS IS CAD DRAWING, DO NOT REVISE MANUALLY!!!			



- Material**
- Terminal body: Thermoplastic (UL94V-0)
 - Female contact: PhBz(CuSN), Tin plated
 - Terminal cover: Thermoplastic (UL94V-0)

- Electrical**
- Voltage rating: 300VAC
 - Current rating: 10A
 - Withstanding Voltage: 1.6kv
 - Operating temperature: -40°C to +115°C
 - Soldering temperature: 260°C±5°C/5 Sec
 - Safety Approval: US

RoHS Compliant

PART NUMBER:

OSTV7XX5151

No. of Poles	COLOR
02 2 Pole	0: Black
03 3 Pole	2: Red
...	3: Orange
24 24 Pole	4: Yellow
	5: Green (Standard)
	6: Blue
	8: Grey
	9: White

DIM		TOL			
		2P-6P	7P-12P	13P-18P	19P-24P
Dim L	(N-1)×5.08+7.08	±0.15	±0.25	±0.30	±0.40
Dim B	(N-1)×5.08	±0.15	±0.25	±0.30	±0.40
Dim C	N×5.08		^{+0.00} -0.20		^{+0.00} -0.40
Dim D	(N-1)×5.08	±0.15	±0.25	±0.30	±0.40

THESE DRAWINGS AND SPECIFICATIONS ARE THE PROPERTY OF ON-SHORE TECHNOLOGY, INC. AND SHALL NOT BE REPRODUCED, COPIED OR USED IN ANY MANNER WITHOUT THE PRIOR WRITTEN CONSENT OF ON-SHORE TECHNOLOGY, INC.

TITLE OSTV7 5.08mm Series 90° Right angle			
PART NO. OSTV7XX5151	DWG NO. OSTV7XX5151.DWG		
APPROVED	CHECKED	DESIGNED	DRAWN
		Tason 09.27.2014	Tason 09.27.2014
SHEET: 01/01		UNIT: mm SCALE: NONE REV.: G	
		Tolerance	
		X. ±0.5	
		X.X ±0.3	
		X.XX ±0.1	
		X° ±1°	