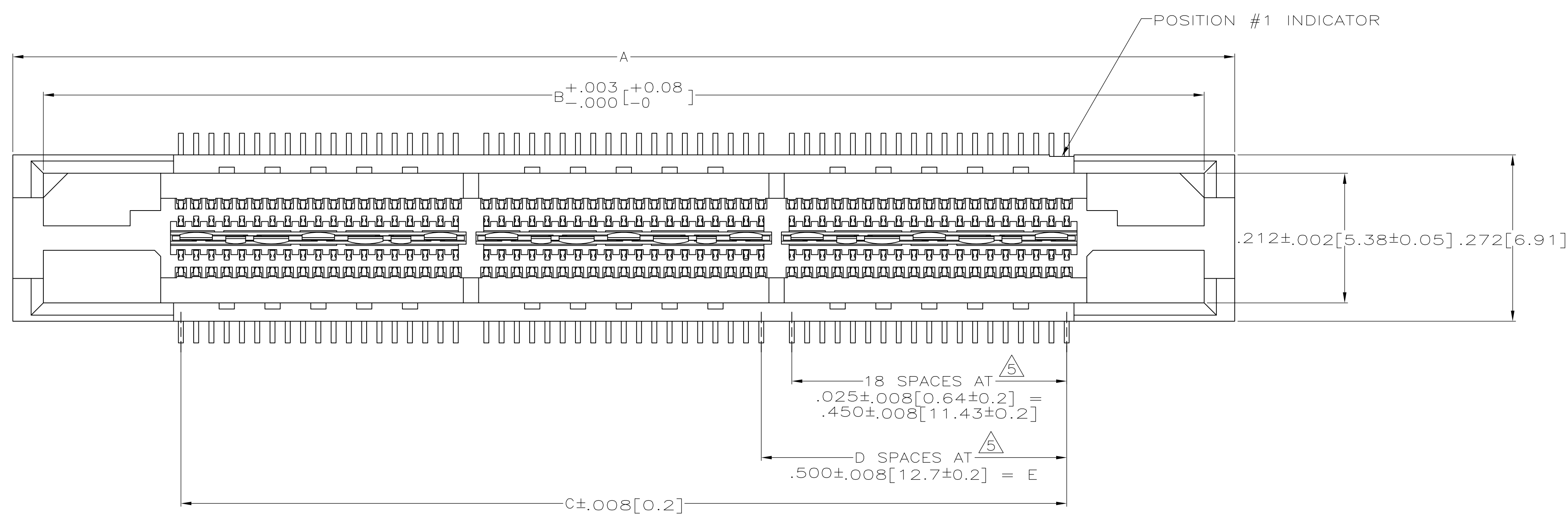
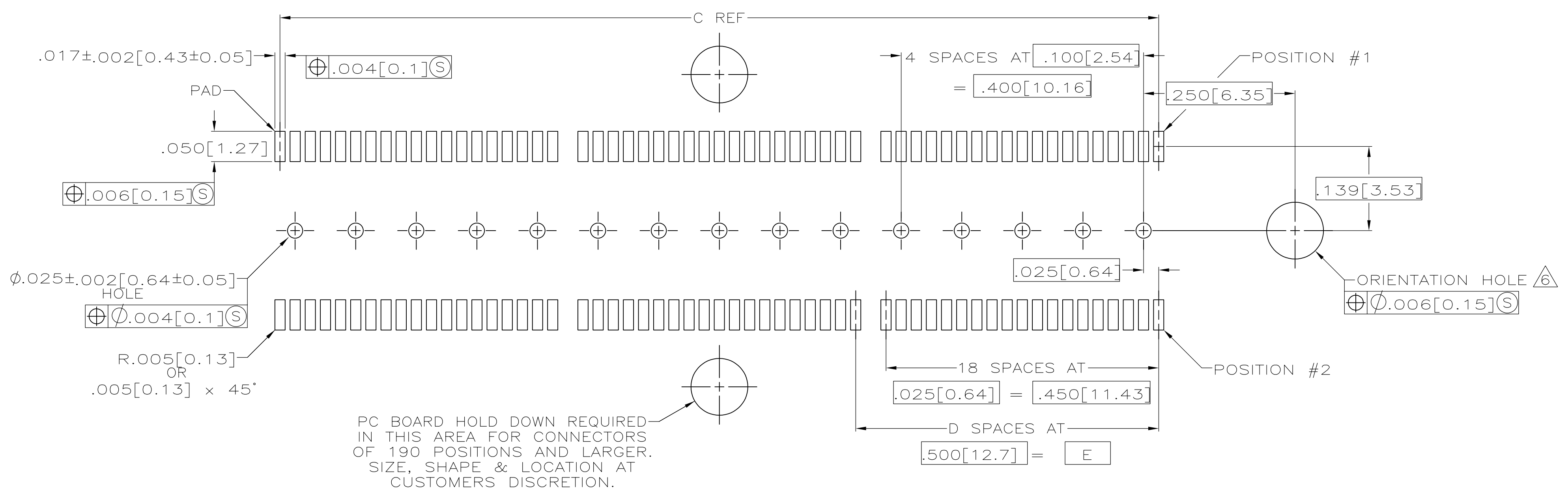
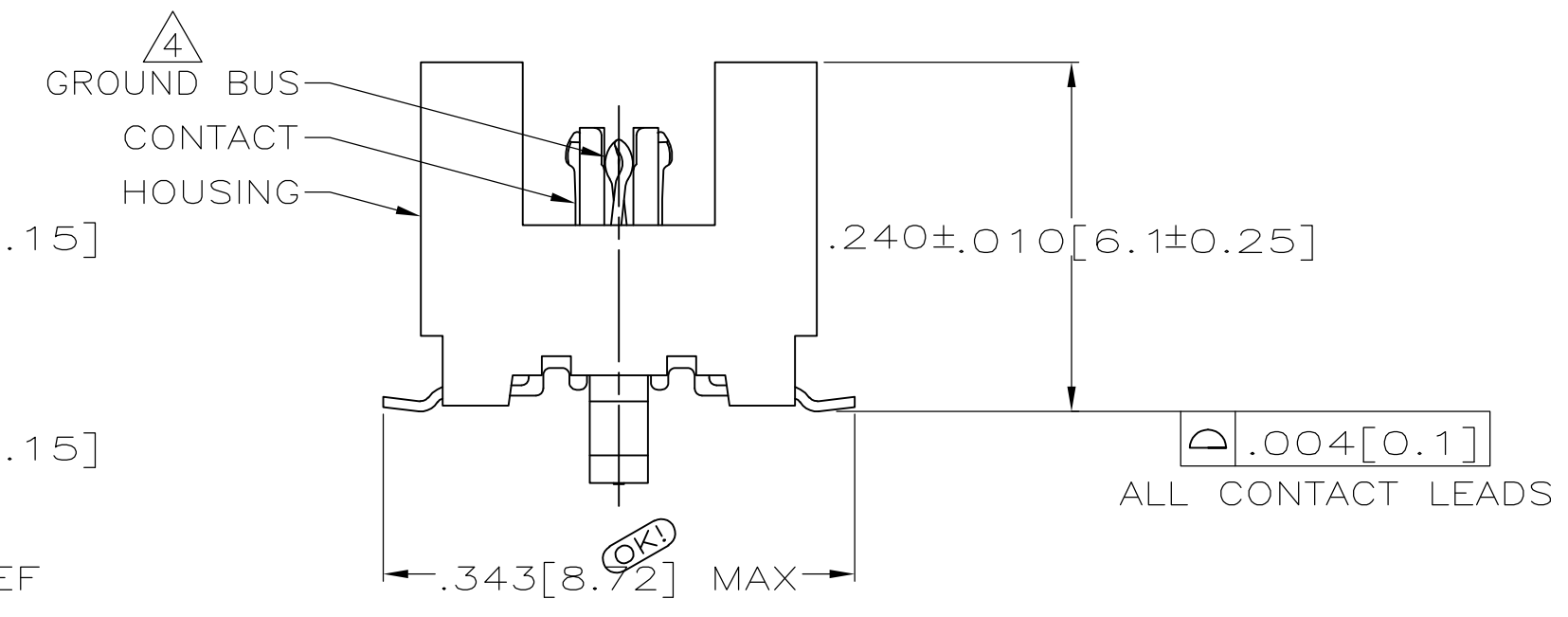
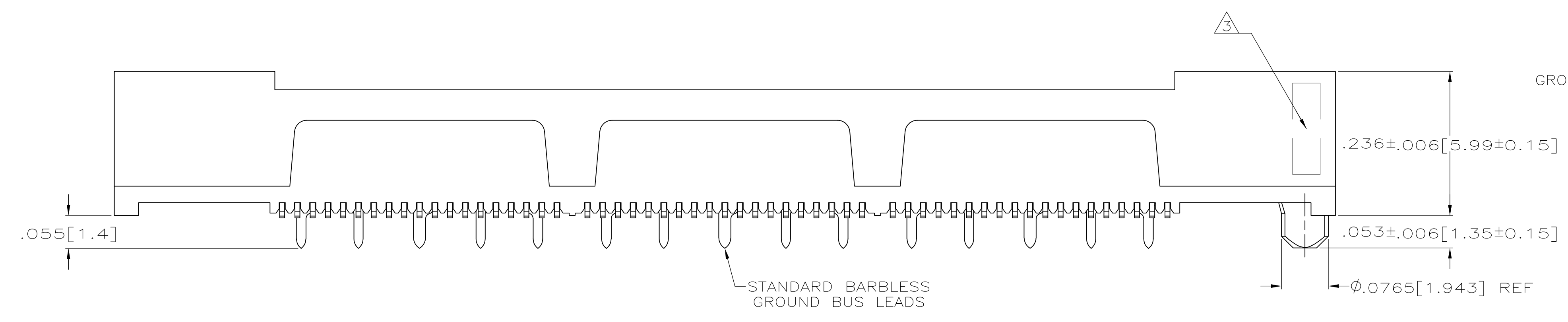


LOC		DIST		REVISIONS			
F	LTR	DESCRIPTION	DATE	DWN	APVD		
E		REVISED PER ECO-08-009495	24APR08	DH	DD		
E1		REVISED PER ECO-08-012461	13OCT09	AEG	DD		



- $\triangle 1$  HOUSING: LIQUID CRYSTAL POLYMER, COLOR BLACK.
- $\triangle 2$  CONTACTS & GROUND BUSES: NICKEL UNDERPLATE ALL OVER, MATING SURFACE PLATED TO MEET LEVEL 1 PERFORMANCE REQUIREMENTS OF TE PRODUCT SPECIFICATION 108-1422, SOLDER TAILS PLATED TIN-LEAD.
- $\triangle 3$  DATE CODE MARKED IN AREA INDICATED ON SIDE OPPOSITE POSITION #1.
- $\triangle 4$  ONE GROUND BUS WITH 5 TAILS PER EACH MODULE.
- $\triangle 5$  TOLERANCE NON-ACCUMULATIVE.
- $\triangle 6$  FOR STANDARD APPLICATIONS, ORIENTATION HOLE TO BE  $\phi .094 \pm .002 \begin{bmatrix} 2.39 \pm 0.05 \\ \end{bmatrix}$ .  
 FOR SLIP-FIT APPLICATIONS, ORIENTATION HOLE TO BE  $\phi .079 \pm .001 \begin{bmatrix} 2.00 \pm 0.03 \\ \end{bmatrix}$ .



RECOMMENDED PC BOARD LAYOUT  
(VIEWED FROM CONNECTOR SIDE)

F	E	D	C	B	A	NO OF POS	PART NUMBER
4.724 [120]	3.000 [76.2]	6	3.450 [87.63]	3.900 [99.06]	4.000 [101.6]	266	767110-7
4.094 [104]	2.500 [63.5]	5	2.950 [74.93]	3.400 [86.36]	3.500 [88.9]	228	767110-6
3.465 [88]	2.000 [50.8]	4	2.450 [62.23]	2.900 [73.66]	3.000 [76.2]	190	767110-5
3.465 [88]	1.500 [38.1]	3	1.950 [49.53]	2.400 [60.96]	2.500 [63.5]	152	767110-4
2.835 [72]	1.000 [25.4]	2	1.450 [36.83]	1.900 [48.26]	2.000 [50.8]	114	767110-3
2.205 [56]	.500 [12.7]	1	.950 [24.13]	1.400 [35.56]	1.500 [38.1]	76	767110-2
1.732 [44]	.000 [0]	0	.450 [11.43]	.900 [22.86]	1.000 [25.4]	38	767110-1

THIS DRAWING IS A CONTROLLED DOCUMENT.

DIMENSIONS: INCHES [mm]

TOLERANCES UNLESS OTHERWISE SPECIFIED:

0. PLC	±	-
1. PLC	±	-
2. PLC	±	-
3. PLC	±	.005 [0.13]
4. PLC	±	-
ANGLES	±	-

MATERIAL  $\triangle$  FINISH  $\triangle$

APVD: J. GERACE, S. STRICKLER, A. MONK

PRODUCT SPEC: 108-1422

APPLICATION SPEC: 114-11004

WEIGHT: -

CUSTOMER DRAWING

DIN: J. GERACE, 11DEC98

CIK: S. STRICKLER, 11DEC98

APVD: A. MONK, 1DEC98

NAME: Tyco Electronics Corporation, Harrisburg, PA 17105-3608

RECEPTACLE ASSEMBLY, VERTICAL, .025 [0.64] CL, GULL WING LEADS, MICTOR

SIZE: A1

SCALE: 8:1

SHEET: 1 OF 1

REV: E1