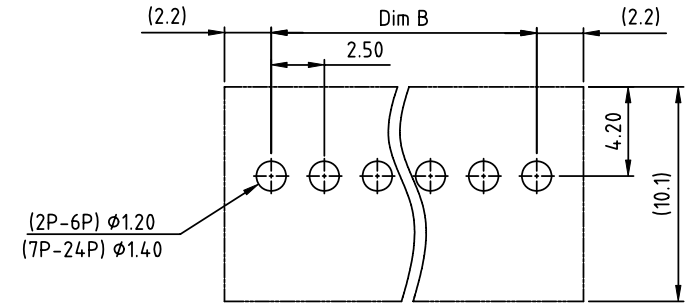
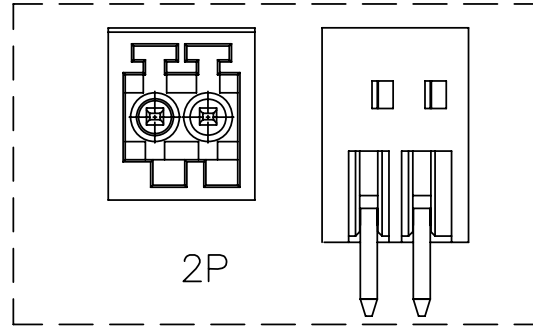
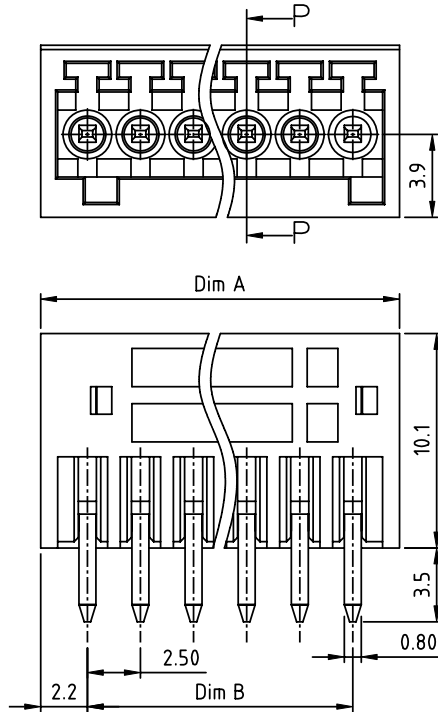
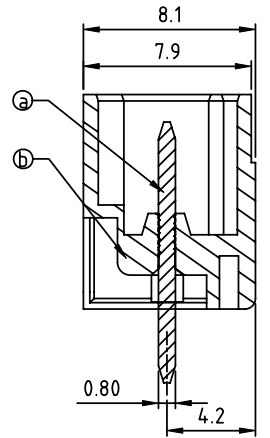


PRODUCT NUMBER	PITCH
OQxxB1x000J0G	2.50 mm



RECOMMENDED P.C.B LAYOUT
TOP VIEW



SECTION P-P

Material:

- Item ① Male contact pin: Copper Tin plated
- Item ② Terminal housing: Thermoplastic (UL94V-0)

Electrical:

- Voltage rating: 150V
- Current rating: 4A
- Withstanding Voltage: 1.3KV
- Operating temperature: -40°C to +115°C
- Soldering temperature: 260°C±5°C/5 Sec
- Safety Approval: cULus

Dimension

Dim A	N×2.5+1.9
Dim B	(N-1)×2.5

N=Number of poles

Poles	Tolerance
2p-6p	±0.10
7p-12p	±0.15
13p-18p	±0.20
19p-24p	±0.30

OQ xx B 1 x 0 00J0 G

- No. OF POLES
02: 2 POLES
.....
24: 24 POLES
- Color
0 Black (RAL9005)
2 Red (RAL3001/D)
3 Orange(RAL2011/P)
4 Yellow(RAL1018/A)
5 Green(RAL6018/T)
6 Blue (RAL5015/A)
8 Grey(RAL7035/D)
9 White(RAL1102)
C Green(RAL6018/U)
- RoHS compliant
(lead<4%)
In copper Alloy

mat'l. code		surface ASME Y14.5	tolerance ASME Y14.5	projection MM	product family TERMINAL BLOCK
ltr	ecn no	dr	date	tolerances unless otherwise specified	title TERMINAL BLOCK PLUGGABLE SOCKET,VERTICAL
				angles X±0.5 X.X±0.3 X*±1*	scale
		dr	HANKE FENG	101213	dwg no OQxxB1x000J0G
		enr	HANKE FENG	101213	sheet 1 of 1
		chr	SHI JUN	101213	size A4
		appd	SHI JUN	101213	type CUSTOMER Drawing
sheet index	revision sheet	A	1		