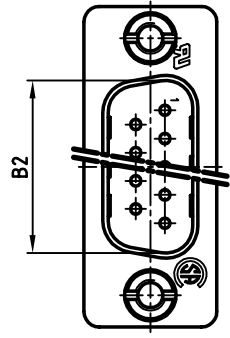
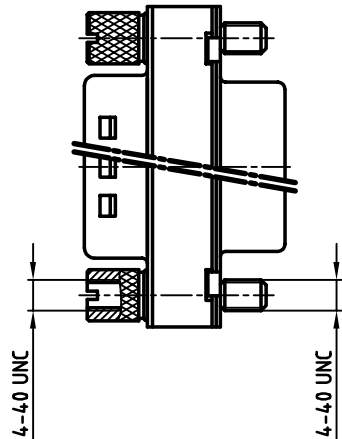
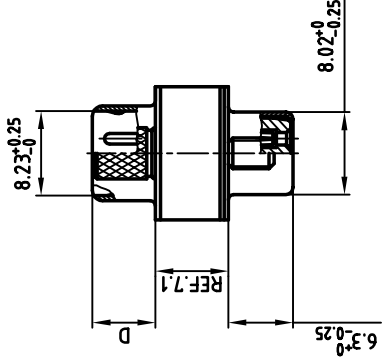
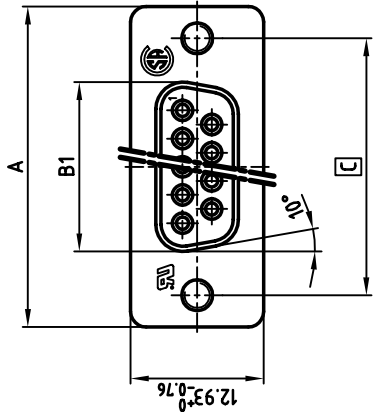


used for: D-SUB FILTER ADAPTER

Part-NO.	POS.	A <sup>-0.76</sup>	B1 <sup>-0.25</sup>	B2 <sup>+0.25</sup>	C	D <sup>-0.3</sup>
243A10090X	9	31.19	16.46	16.79	25.00 <sup>+0.12</sup> <sub>-0.13</sub>	6.12
243A10100X	15	39.52	24.79	25.12	33.30 <sup>+0.15</sup> <sub>-0.1</sub>	6.12
243A10110X	25	53.42	38.50	38.84	47.04 <sup>+0.13</sup>	5.99
243A10120X	37	69.70	54.96	55.30	63.50 <sup>+0.13</sup>	5.99



- NOTES:**
1. METAL SHELLS: STEEL; min. 320μ" TIN
  2. INSULATORS: PBT GF UL 94 V-0, BLACK
  3. CONTACTS: COPPER ALLOY
  4. PLATING: min. 8μ" HARD GOLD OVER min. 50μ" NICKEL
  5. CAPACITANCE: 830pF ±20%
  6. MAXIMUM TORQUE VALUE FOR THREAD: 6" LBS
  7.  = CRITICAL DIMENSION: SPC

**DO NOT ALTER CAD DRAWING BY HAND**

THIS DRAWING MAY NOT BE COPIED OR REPRODUCED IN ANY WAY, AND MAY NOT BE PASSED ON TO A THIRD PARTY WITHOUT WRITTEN PERMISSION.  
OWNERSHIP AND COPYRIGHT OF CONEC GMBH

CONEC CORPORATION BRAMPTON, ONTARIO		tolerance	scale: 2:1
2001	date	name	material: SEE NOTES
drawn	08.10.	ParaI	title:
appd.	08.10.	E. Mickenbecker	<b>D-SUB C-FILTER ADAPTER</b>
norm		DIN 41652	9-37pos. PLUG / SOCKET
o-odd			dwg no: AutoCAD 2000
			DIN-A
			3
			sh: 1/1
rev. description	date	name	part no: <b>24K1A176A</b>
			SEE TABLE

**CONEC**