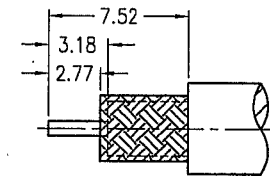


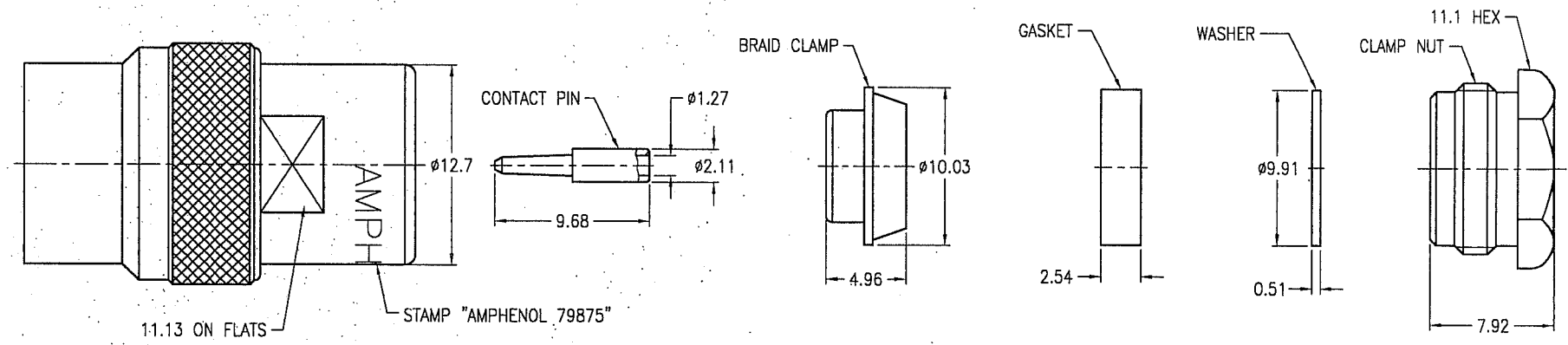
NOTES:

1. MATERIALS AND FINISHES:  
 BODY - BRASS, NICKEL PLATING  
 CONTACT - BRASS, SILVER PLATING  
 INSULATOR - PTFE, NATURAL
2. ELECTRICAL:  
 A. IMPEDANCE: 50 OHM  
 B. FREQUENCY RANGE: DC 0-4 GHz  
 C. DIELECTRIC WITHSTANDING VOLTAGE: 1500 VRMS; MIN.
3. MECHANICAL:  
 A. DURABILITY: 500 CYCLES MIN.  
 B. TEMPERATURE RANGE: -40°C to +85°C
4. ASSEMBLY INSTRUCTIONS:  
 A. PLACE NUT, WASHER AND GASKET (WITH 'V' GROOVE TOWARD OPEN END OF CABLE) OVER CABLE  
 B. TRIM TO RECOMMENDED STRIPPING DIMENSIONS  
 C. PULL BRAID WIRES FORWARD AND TAPER TOWARD CENTER CONDUCTOR  
 PLACE CLAMP OVER BRAID AND PUSH BACK AGAINST CABLE JACKET  
 D. FOLD BACK BRAID WIRES. CRIMP OR SOLDER ON CONTACT.  
 E. INSERT CABLE AND PARTS TO CONNECTOR BODY. MAKE SURE SHARP EDGE OF CLAMP SEATS PROPERLY IN GASKET. TIGHTEN NUT

THIRD ANGLE PROJ.		REVISIONS		
REV	DESCRIPTION	DATE	ECO	APPR
T	REDRAWN TO UPDATE FORMAT	23-Dec-08	47238	



RECOMMENDED CABLE STRIPPING DIM'S



**CUSTOMER OUTLINE DRAWING**  
 ALL OTHER SHEETS ARE FOR INTERNAL USE ONLY

UNLESS OTHERWISE SPECIFIED, DIMENSIONS ARE IN METRIC AND TOLERANCES ARE: 0.5 - 6mm ±0.1mm    6 - 30mm ±0.2mm    30 - 120mm ±0.3mm    ANGLES ±1°	MATERIAL	DRAWN <b>NANCY</b> DATE 26-Mar-03	TITLE			Amphenol RF Danbury CT USA, Tainan Taiwan, Shenzhen China www.amphenolrf.com
	REFERENCE	ENGINEER <b>NANCY</b> DATE 26-Mar-03	TNC PLUG (FOR 58/U CABLE)			
NOTICE - These drawings, specifications, or other data (1) are, and remain the property of Amphenol Corp. (2) must be returned upon request; and (3) are confidential and not to be disclosed to any person other than those to whom they are given by Amphenol Corp. The furnishing of these drawings, specifications, or other data by Amphenol Corp., or to any other person to anyone for any purpose is not to be regarded by implication or otherwise in any manner licensing, granting rights or permitting such holder or any other person to manufacture, use or sell any product, process or design, patented or otherwise, that may in any way be related to or disclosed by said drawings, specifications, or other data.	FINISH	APPROVED <b>SCOTT</b> DATE 26-Mar-03	SCALE: 2.5/1	SHEET 2 OF 2	ITEM NO. <b>79875</b>	
		F:\DWG\CNPD\79875-TSZ	DWG SIZE B	CODE ID 74868	REV T	PART NO. <b>79875</b>