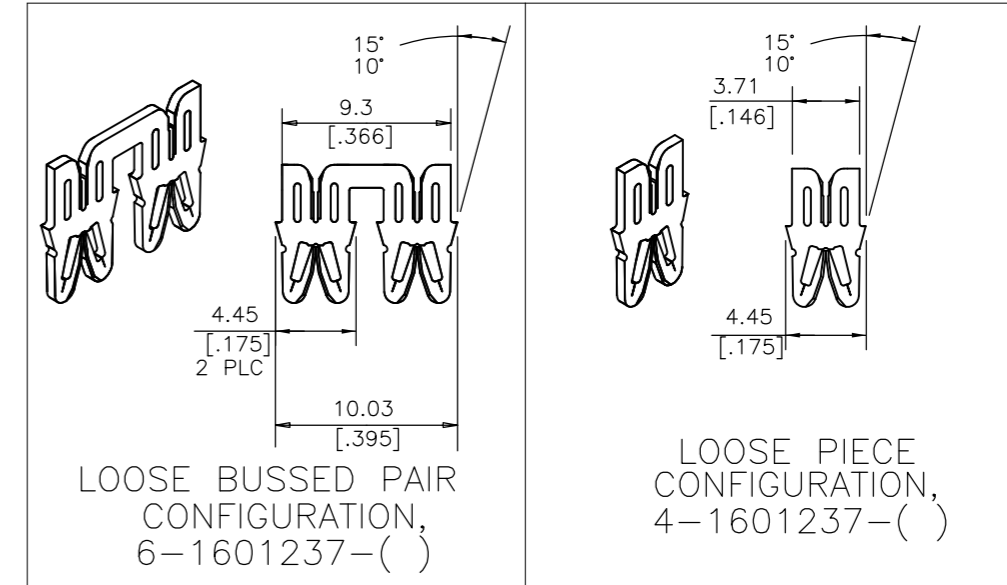
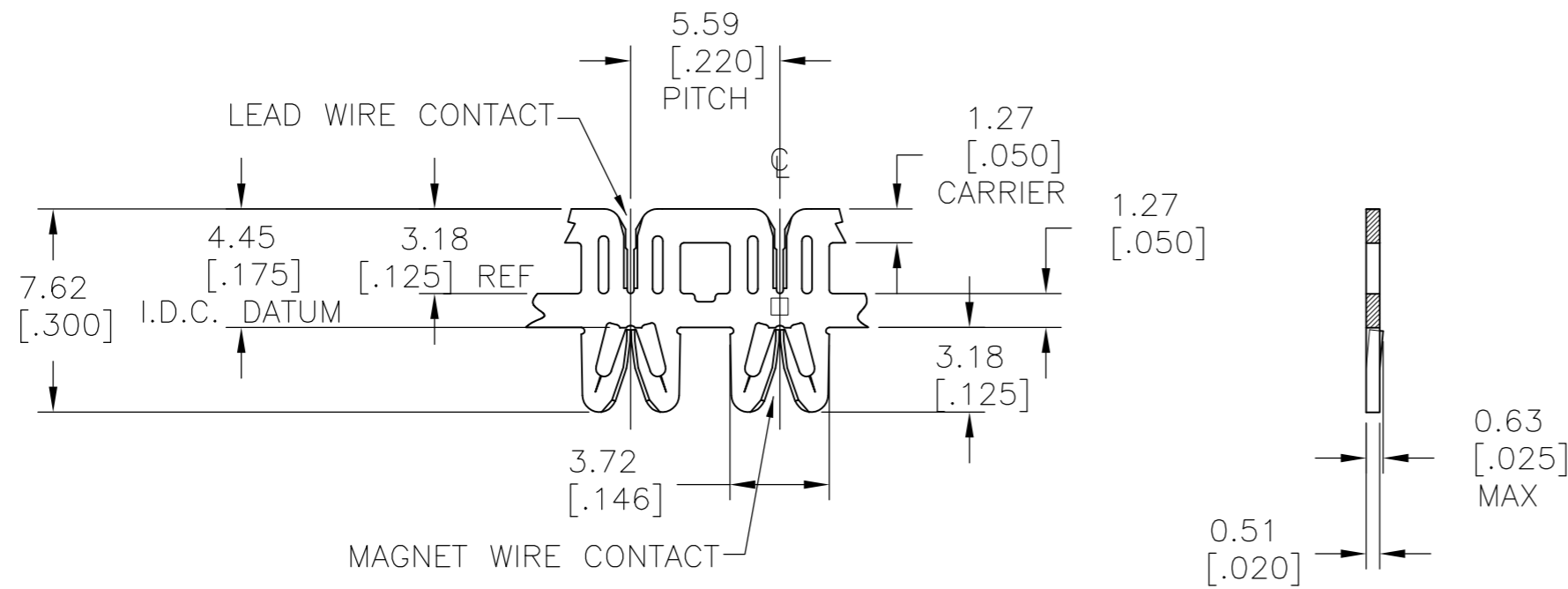


THIS DRAWING IS UNPUBLISHED. RELEASED FOR PUBLICATION
 © COPYRIGHT BY TYCO ELECTRONICS CORPORATION. ALL INTERNATIONAL RIGHTS RESERVED.

LOC	DIST	REVISIONS			
P	LTR	DESCRIPTION	DATE	DWN	APVD
AF	50				
	A1	REVISED PER ECR-10-013120	24JUN10	HMR	GJ



- SPECIFICATIONS:
MAGNET WIRE #27 - #36 AWG, 0.38[.015] - 0.14[.005] DIA. COPPER LEAD WIRE #20 AWG,(0.5MM2), STRANDED, BONDED OR SOLID INSULATED LEAD WIRE. MAX INSULATION O.D. 2.9[.115] NO STRIPPING REQUIRED. OTHER SIZES MAY BE ACCOMMODATED, CONSULT TYCO ELECTRONICS FOR APPROVAL.
- POCKET RECOMMENDATION : #1601433
- TERMINAL APPLICATION TO COMPLY WITH TYCO ELECTRONICS SPECIFICATION 114-13166 FIGURE 3 OR 4.
- TWO(2) TERMINALS SHOWN FOR ILLUSTRATION PURPOSES ONLY.



-	-	-
-	-	-
-	-	-
UNPLATED	050-021-000	4-1601237-1
UNPLATED	150-022-000	2-1601237-1
UNPLATED	150-021-000	1601237-1
FINISH	REFERENCE PART NUMBER	TE PART NUMBER

THIS DRAWING IS A CONTROLLED DOCUMENT.		DWN RAGHAVENDRA 27JUN2007	Tyco Electronics Corporation	
DIMENSIONS: mm [INCHES]		CHK G JACONO 27JUN2007	Harrisburg, PA 17105-3608	
TOLERANCES UNLESS OTHERWISE SPECIFIED:		APVD G JACONO 27JUN2007	NAME	
0 PLC ± -		PRODUCT SPEC	FINE WIRE RANGE TO 20 AWG.	
1 PLC ± -		APPLICATION SPEC	SEMI-RIGID SIAMEZE TERMINAL	
2 PLC ± 0.13[.005]		108-2244	SIZE	CAGE CODE
3 PLC ± -		3	A2	00779
4 PLC ± -		WEIGHT	DRAWING NO	
ANGLES ± 2°		-	C=1601237	
MATERIAL BRASS, SPRING HARD	FINISH SEE TABLE	CUSTOMER DRAWING	SCALE 4:1	SHEET 1 OF 1
			REV A1	