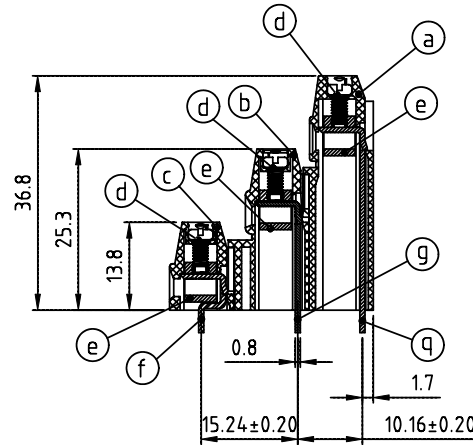
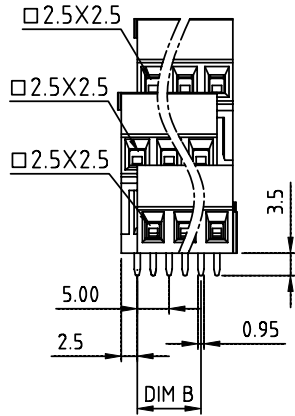
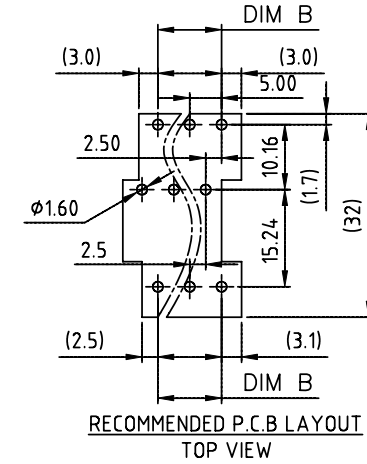
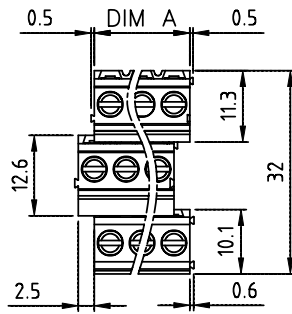


PRODUCT NUMBER	PITCH
YNxx01x000J0G	5.00 mm



Material:

- Item@Terminal housing : Thermoplastic (UL 94V-0)(YF5.0)
- ItemⓄTerminal housing : Thermoplastic (UL 94V-0)(YE5.0)
- ItemⓄTerminal housing : Thermoplastic (UL 94V-0)(YD5.0)
- ItemⓄTerminal screw: Steel Zinc plating"-slot type
- ItemⓄClamp : Brass ,Ni plated
- ItemⓄSolder pin1 : Brass ,Tin plated
- ItemⓄSolder pin2 : Brass ,Tin plated
- ItemⓄSolder pin3 : Brass ,Tin plated

Electrical cULus

- Voltage rating: 300VAC
- Current rating: 10A
- Wire range:
- Solid wire(AWG): 12-24
- Stranded wire(AWG): 12-24
- Torque(Lb-In): 3.5
- Screw: M2.5
- Wire strip length: 6-7mm
- Withstanding Voltage: 1.6KV
- Operating temperature: -40°C to +115°C
- Soldering temperature: 260°C±10°C/5 Sec
- Safety Approval: cULus

Dimension A&B

DIM A	N/3×5.0
DIM B	(N/3-1)×5.0

N=Number of poles

Poles	DimA&B Tolerance
3×2P-3×8P	±0.15
3×9P-3×14P	±0.25
3×15P-3×20P	±0.35
3×21P-3×24P	±0.40

PART NO.: YN xx 01 x 0 00J0 G

End stackable	0 Black (RAL9005)	RoHS compliant
No. of poles	2 Red (RAL3001/D)	(lead<4%)
06 3×2poles	3 Orange(RAL2011/P)	In copper Alloy
09 3×3poles	4 Yellow(RAL1018/A)	
...	5 Green(RAL6018/T)	
72 3×24poles	6 Blue (RAL5015/A)	
	8 Grey(RAL7035/D)	
	9 White(RAL1102)	
	C Green(RAL6018/U)	

mat'l. code	surface ASME Y14.5	tolerance ASME Y14.5	projection	product family
ltr	ecn no	dr	date	TERMINAL BLOCK
				title
				TERMINAL BLOCK
				scale
				TERMINAL BLOCK
				type
				CUSTOMER Drawing
sheet index	revision	A		
	sheet	1		