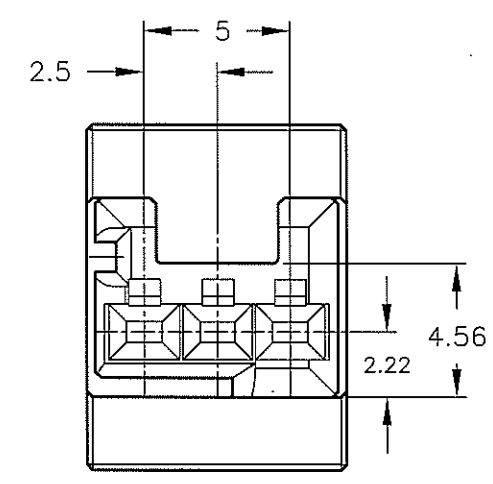
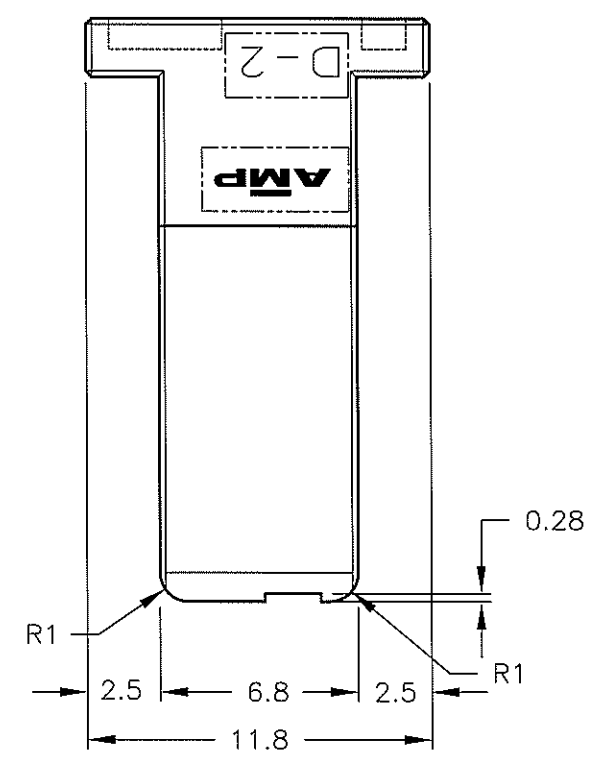
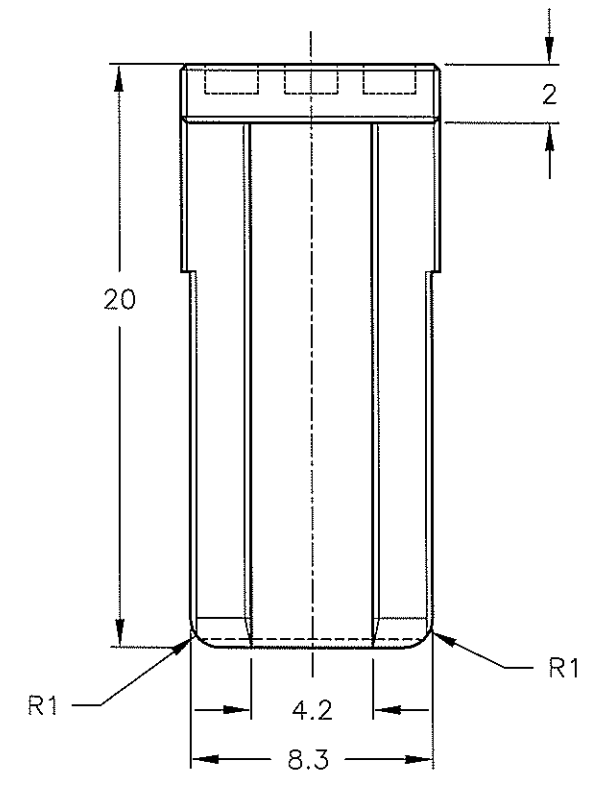
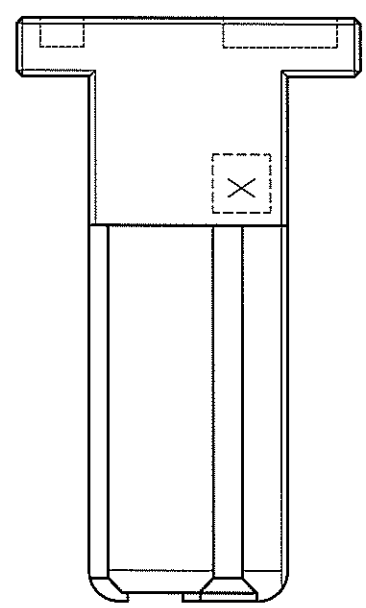
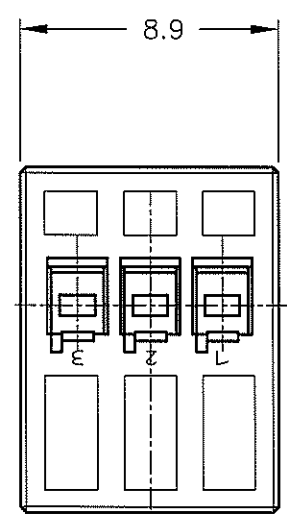


THIS DRAWING IS UNPUBLISHED. RELEASED FOR PUBLICATION .2000.12.01
 © COPYRIGHT 2000 BY AMP INCORPORATED. ALL RIGHTS RESERVED.

LOC		DIST		REVISIONS				
P	LTR	DESCRIPTION	ECN	DATE	DWN	APVD		
	0	RELEASED	FJ00-1876-00	1.DEC'00	T.S	S.M		
	01	REVISED	ECR-06-023517	5/OCT '06	T.S	D.M		

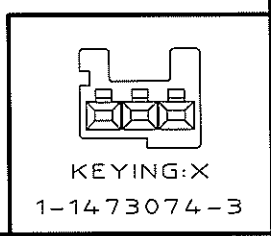
D
C
B
A



A1 REVISED

注記
 ⚠ 材料:ハウジング:ガラス入り熱可塑性ポリエステル樹脂(94V-0),色:黒

NOTES
 ⚠ MATERIAL:HOUSING:GLASS FILED THERMO PLASTIC ,POLYESTER(94V-0),COLOR:BLACK



-	3	1-1473074-3
FINISH	POS	PART NUMBER

THIS DRAWING IS A CONTROLLED DOCUMENT FOR AMP INCORPORATED. IT IS SUBJECT TO CHANGE AND THE CONTROLLING ENGINEERING ORGANIZATION SHOULD BE CONTACTED FOR THE LATEST REVISION.		OWN T.SAKAMOTO CHK 1.DEC '00 APVD S.MANABE	Tyco Electronics AMP K.K. Kawasaki, Japan	
DIMENSIONS: 単位 特 mm	TOLERANCES UNLESS OTHERWISE SPECIFIED	PRODUCT SPEC 製品規格 108-5619	NAME 名称 1列 リセハウジング REC HSG (W/O LOCK) <DYNAMIC D-2100D>	
	一般公差 12 : ±0.3 32 > 10 : ±0.35 102 > 30 : ±0.4 ANGLE : ±3'	APPLICATION SPEC 取付適用規格 114-5258	SIZE A3	CAGE CODE 00779
MATERIAL 材料 ⚠	FINISH 仕上	WEIGHT	DRAWING NO 番号 C=1473074	
CUSTOMER DRAWING			RESTRICTED TO -	SCALE 尺 4-1
			SHEET 1	OF 1
			REV 01	