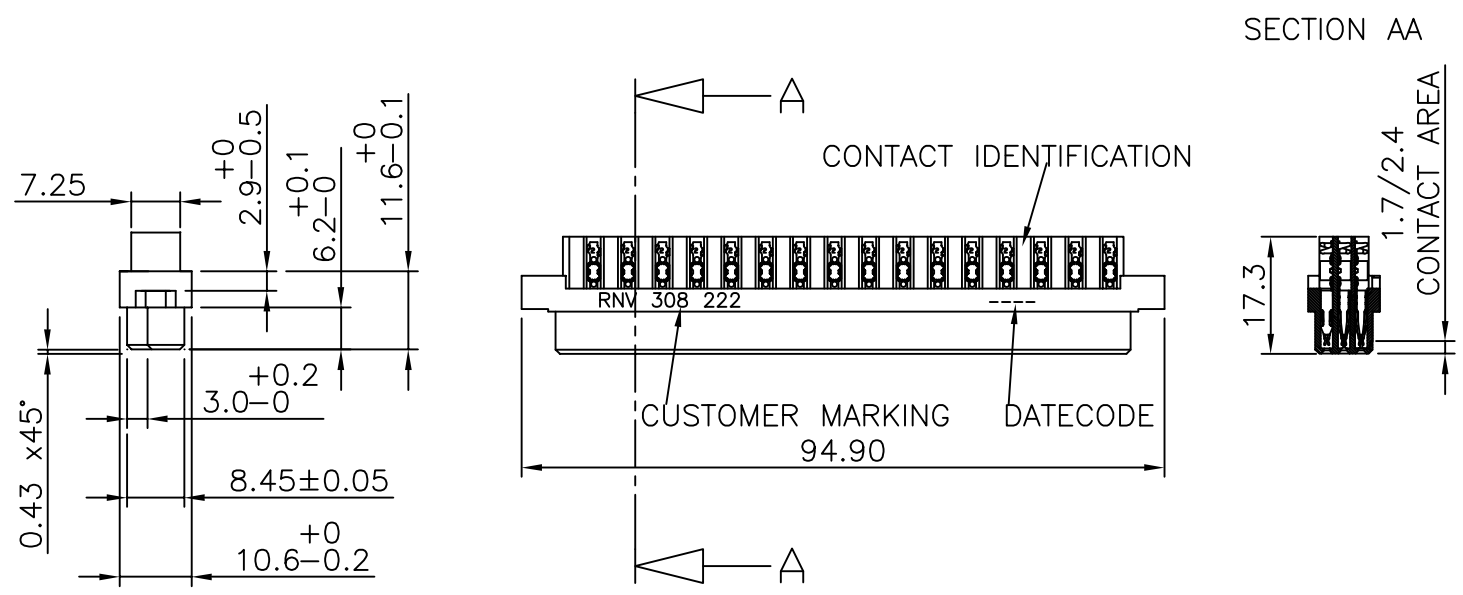


PRODUCT NUMBER	BPS8B96NND200L9	LEADED PRODUCT
PRODUCT NUMBER	BPS8B96NND200L9LF	LEAD FREE OR RoHS COMPATIBLE PRODUCT

**NOTES:-**

- THE "LF" PRODUCTS MEET EUROPEAN UNION DIRECTIVES AND OTHER COUNTRY REGULATIONS AS DESCRIBED IN GS-22-008.
- LEAD FREE OR RoHS DIRECTIVE LABELING TO BE PROVIDED AS PER GS-14-920 FOR RoHS COMPATIBLE/ LEAD FREE VERSION.



**PERFORMANCES CHARACTERISTICS**

VOLTAGE RATING : 250 VAC (rms)  
 CURRENT RATING : 1,5 A AT 25 °C, 1 A AT 70 °C.  
 INSULATION RESISTANCE : 1000 MΩ INITIAL, 100 MΩ MIN. AFTER TEST.  
 DIELECTRIC WITH-  
 STANDING VOLTAGE : 1000 VAC (rms).  
 CONTACT RESISTANCE : 15 mΩ MAX. INITIAL, 5 mΩ MAX. RISE OF INITIAL VALUE AFTER TEST.  
 OPERATING TEMPERATURE\*: -40 °C TO +125 °C.  
 INSERTION FORCE : 1 N MAX./CONTACT.  
 WITHDRAWAL FORCE : 0,2 N MIN./CONTACT.

\*DEPENDING ON THE CABLE, THE MAX. TEMPERATURE CAN BE LOWER.  
 FOR STANDARD PVC INSULATED CABLE : 105 °C MAX.

**CONSTRUCTION**

BODY MATERIAL : GLASS-REINFORCED THERMOPLASTIC (UL94V-0).  
 CONTACT MATERIAL : PHOSPHOR BRONZE.  
 CONTACT FINISH : 3 μm Au MIN. OVER 2 μm Ni MIN. IN CONTACT AREA, 3μm SnPb MAX. OVER 1.5μm Ni MAX. ON I.D.C TERMINAL FOR LEADED PRODUCTS Sn (MATTE TIN) OVER Ni ON I.D.C TERMINAL FOR LEAD FREE PRODUCTS

**PART NUMBERS**

BPS8B96NND200EC CONNECTOR FOR WIRE SIZE AWG24, AWG26.  
 BPS8B96NND200ECLF CONNECTOR FOR WIRE SIZE AWG24, AWG26.

(CONTACT IDENTIFICATION : 2).

**CUSTOMER MARKING**

PARTNUMBER ERICSSON : RNV 311 302

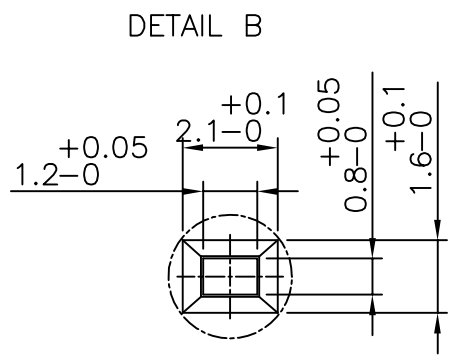
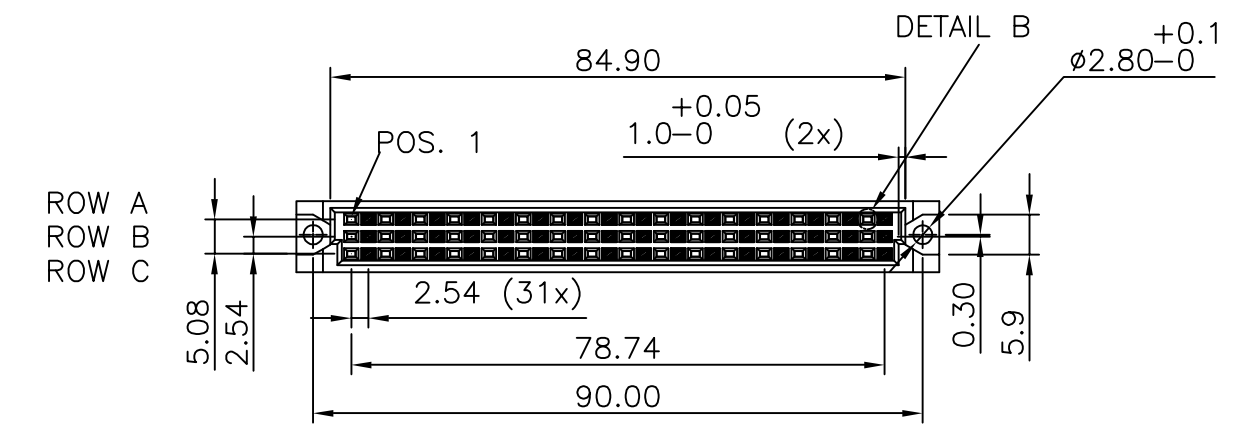
**DATECODE**

YEAR & WEEKCODE EXAMPLE : 9950

OTHER REQUIREMENTS IN ACC. WITH: ERICSSON SPEC. 1301 RNV 311 UEN



Copyright FCI



**CONTACT ARRANGEMENT**

- CAVITIES EQUIPPED WITH CONTACTS
- ▨ CAVITIES WITHOUT CONTACTS

mat'l. code		surface		tolerance		projection		product family	
SEE NOTE		ISO 1302		ISO 406 ISO 1101		mm		BPS8	
ltr	ecn no	dr	date	tolerances unless otherwise specified		mm		title	
A	F00819	DLE	2000-10-18	angles	linear	mm		ASSY BPS8	
B	105-0156	MINI	2005-09-06	±1'		scale -		96 POS. A,B,C LOADED SPECIAL	
C	106-0067	MINI	2006-06-01					dwg no	
				D.LEGRAND		2000-10-18		sheet 1 of 1	
				enr		J.F.NOTTEAU		2000-10-18	
				chr		RAKHEE GEORGE		2006-06-01	
				appd		RAKHEE GEORGE		2006-06-01	
sheet index		revision sheet		B				55368	
		1						A3	
								type Product Customer Drawing	