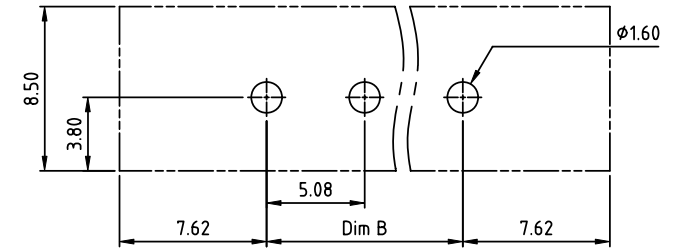
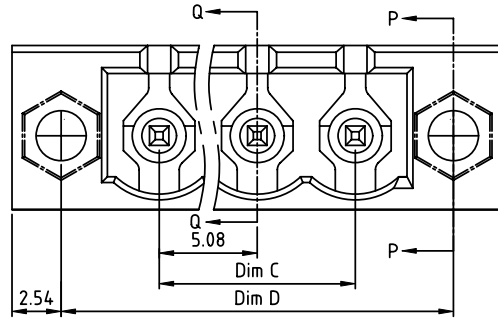
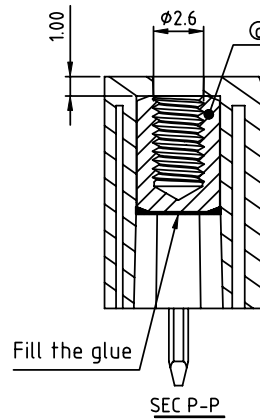
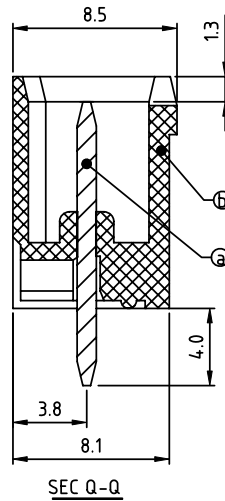
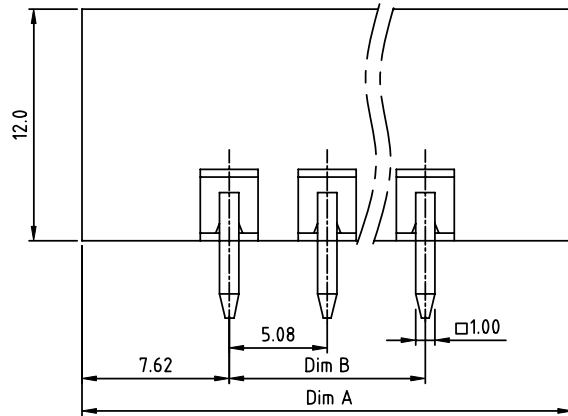


PRODUCT NUMBER	PITCH
OQxx55x000JOG	5.08 mm



RECOMMENDED P.C.B LAYOUT
TOP VIEW



Material:

- Item ① Male contact pin: Copper Tin plated
- Item ② Terminal housing: Thermoplastic (UL94V-0)
- Item ③ Flange nut: Brass ,M2.5

Electrical:

- Voltage rating: 300V/300V/300V
- Current rating: 20A/20A/20A
- Withstanding Voltage: 1.6 KV/2.5KV/2.5KV
- Operating temperature: -40°C to +115°C
- Soldering temperature: 260°C±5°C/5 Sec
- Safety Approval:

DIMENSION

Dim A	$(N+2) \times 5.08$
Dim B&C	$(N-1) \times 5.08$
Dim D	$(N+1) \times 5.08$

N = Number of poles

Poles	Tolerance
2-6p	±0.15
7-12p	±0.20
13-18p	±0.30
19-24p	±0.40

PART NO.: OQ xx 5 5 x 0 00JO G

No. of poles	Body Color	RoHS compliant
02 2 poles	0 Black (RAL9005)	(lead<4%)
03 3 poles	2 Red (RAL3001/D)	In copper Alloy
...	3 Orange(RAL2011/P)	
...	4 Yellow(RAL1018/A)	
24 24 poles	5 Green(RAL6018/T)	
	6 Blue (RAL5015/A)	
	8 Grey(RAL7035/D)	
	9 White(RAL1102)	
	C Green(RAL6018/U)	

mat'l. code		surface ASME Y14.5	tolerance ASME Y14.5	projection	product family TERMINAL BLOCK		
ltr	ecn no	dr	date	 MM scale	title TERMINAL BLOCK PLUGGABLE SOCKET, WITH FLANGE, VERTICAL dwg no OQxx55x000JOG sheet 1 of 1 size A4 type CUSTOMER Drawing		
tolerances unless otherwise specified		angles	<table border="1"> <tr> <td>$X \pm 0.5$</td> </tr> <tr> <td>$X.X \pm 0.3$</td> </tr> <tr> <td>$X \pm 1^*$</td> <td>$X.XX \pm 0.1$</td> </tr> </table>			$X \pm 0.5$	$X.X \pm 0.3$
$X \pm 0.5$							
$X.X \pm 0.3$							
$X \pm 1^*$	$X.XX \pm 0.1$						
dr	HANKE FENG	040314					
enr	HANKE FENG	040314					
chr	SHI JUN	040314					
appd	SHI JUN	040314					
sheet index	revision sheet	A	1				