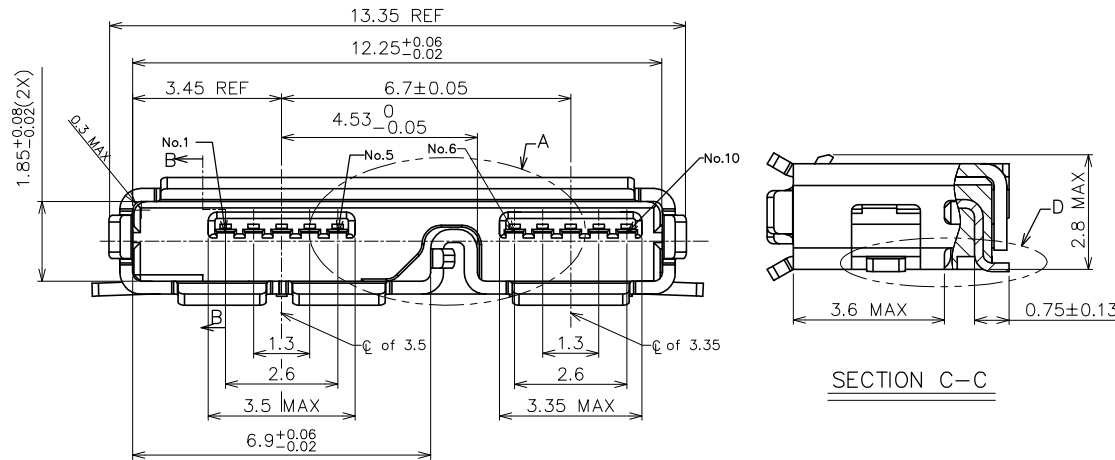
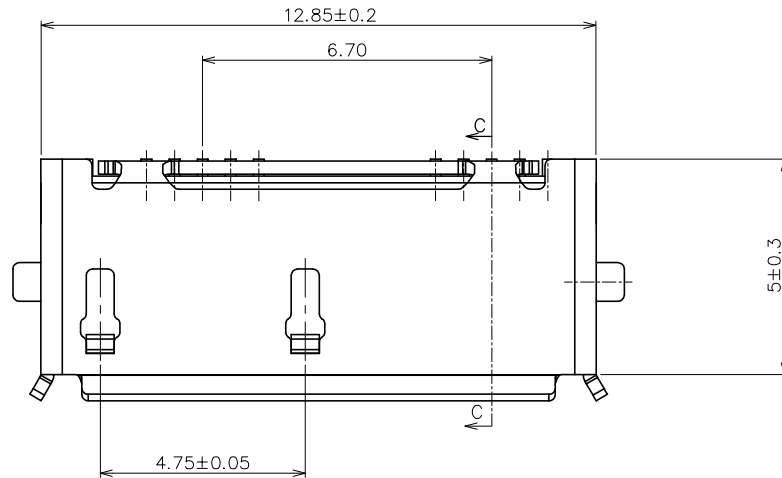


REVISION RECORD		
REV	DESCRIPTION	DRFT

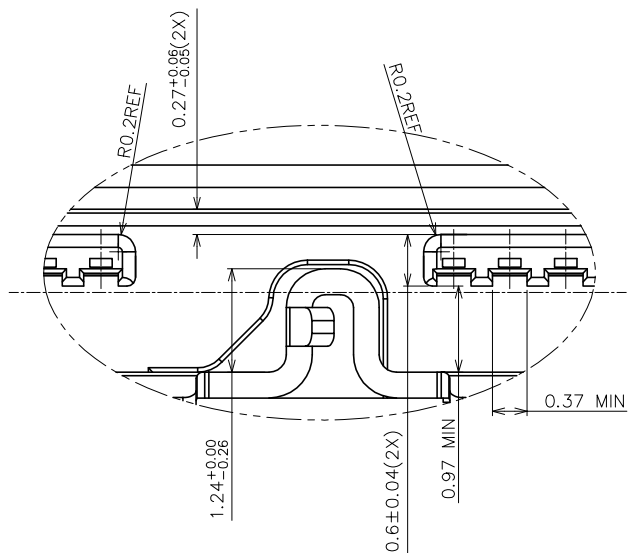
- NOTES :
- MATERIAL
- 1.PLASTIC: NYLON UL 94V-0 COLOR: BLACK
 - 2.COVER: STAINLESS STEEL
PLATING: UNDERPLATING ALL OVER CU 20u"Min, PLATING NICKEL 50-120u"
 - 3.TERMINAL: PHOSPHOR BRONZE T=0.2±0.01mm;
PLATING GOLD 3u"ALL OVER
UNDERPLATING ALL OVER NICKEL 50u" Min.
- ELECTRICAL CHARACTERISTICS
- 1.CURRENT RATING: 1.8A
 - 2.CONTACT RESISTANCE: 30mΩMAX.
 - 3.DIELECTRICAL WITHSTANDING: 100V AC/1min.
 - 4.INSULATION RESISTANCE: 100MΩMin.
- MECHANICAL CHARACTERISTICS
- 1.MATING FORCE: 3.57Kgf MAX(35N MAX).
 - 2.UNMATING FORCE: 0.8Kgf Min(8N Min).
 - 3.DURABILITY: 10000 CYCLES .
- OTHERS:
- 1.OPERATION TEMPERATURE: -20°cto+80°c



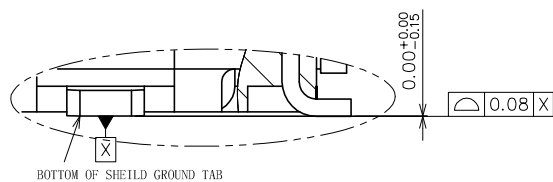
SECTION C-C

DETAILED VIEWS	MM (INCH)	DFTO Roy	DATE 11/20/2012		RoHS Compliant	
	TOLERANCES EXCEPT AS NOTED	CHKD	DATE			
	MM .00 ± 0.38 .00 ± 0.30 .00 ± 0.13 .000 ± 0.05	±	APPVL	DATE	TITLE USB 3.0 MICRO-AB RECEPTACLE	
	ANGLES ± 2°	±	MATERIAL :			
THIRD ANGLE PROJECTION	±	QTY :		DRAWING NO. E8110-001-01		
		FINISH :		/PART NO. E8110-001-01		
		SCALE: 1:1		DO NOT SCALE DRAWING		
				SHEET 1	OF 2	

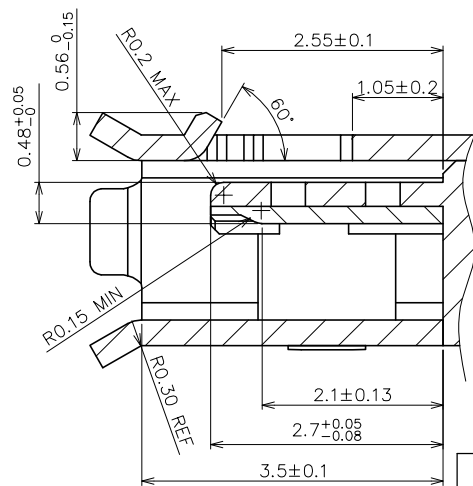
REVISION RECORD		
REV	DESCRIPTION	DRFT



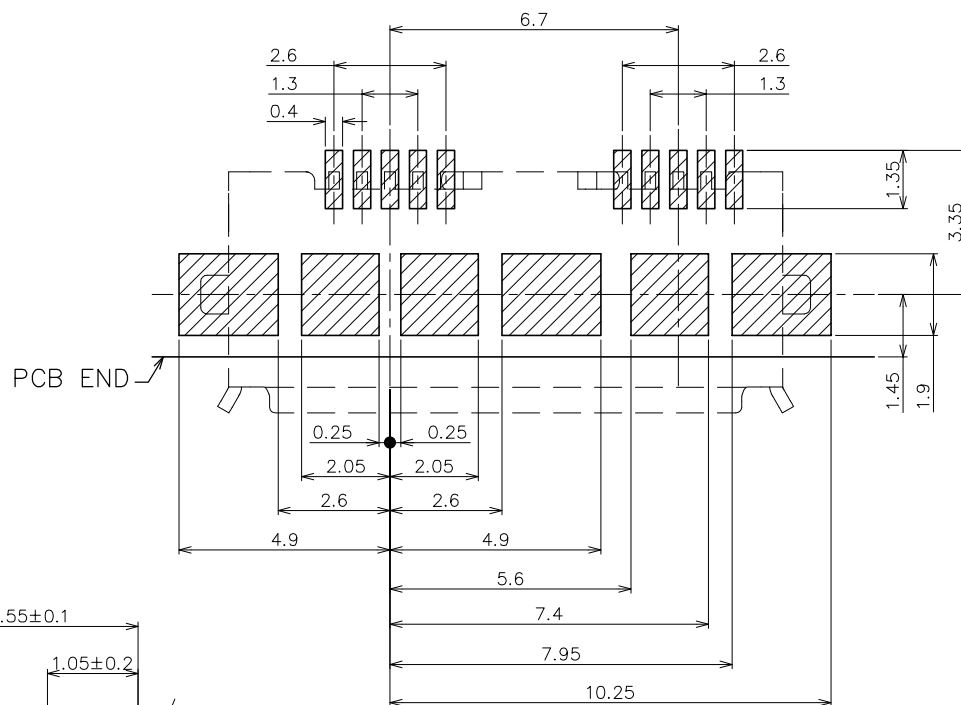
DETAIL A
SCALE 2:1



DETAIL D
SCALE 2:1



SECTION B-B
SCALE 2:1



RECOMMENDED PCB LAYOUT
TOP VIEW (TOLERANCE: ±0.05)

DELETED LISTS THIRD ANGLE PROJECTION	MM (INCH) TOLERANCES EXCEPT AS NOTED MM ± 0.38 .0 ± 0.30 ± .00 ± 0.13 ± .000 ± 0.05 ±	DFTO Roy CHKD APPVL MATERIAL: QTY: FINISH: SCALE: 1:1	DATE 11/20/2012 DATE DATE DO NOT SCALE DRAWING	Pulse Electronics RoHS Compliant TITLE USB 3.0 MICRO-AB RECEPTACLE DRAWING NO. E8110-001-01 /PART NO. E8110-001-01 SHEET 2 OF 2	SIZE A3 REV 01
	ANGLES ± 2° THIRD ANGLE PROJECTION	DATE DATE DO NOT SCALE DRAWING	DRAWING NO. E8110-001-01 /PART NO. E8110-001-01 SHEET 2 OF 2	SIZE A3 REV 01	SHEET 2 OF 2
	ANGLES ± 2° THIRD ANGLE PROJECTION	DATE DATE DO NOT SCALE DRAWING	DRAWING NO. E8110-001-01 /PART NO. E8110-001-01 SHEET 2 OF 2	SIZE A3 REV 01	SHEET 2 OF 2
	ANGLES ± 2° THIRD ANGLE PROJECTION	DATE DATE DO NOT SCALE DRAWING	DRAWING NO. E8110-001-01 /PART NO. E8110-001-01 SHEET 2 OF 2	SIZE A3 REV 01	SHEET 2 OF 2

H
G
F
E
D
C
B
A