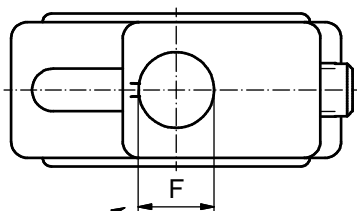
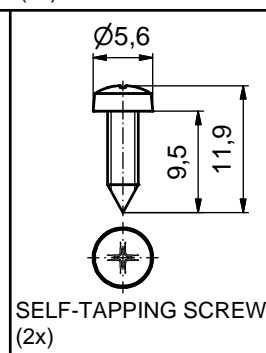
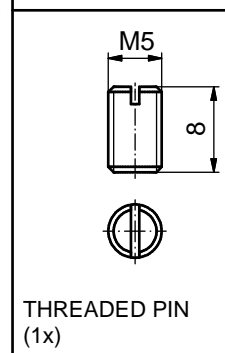
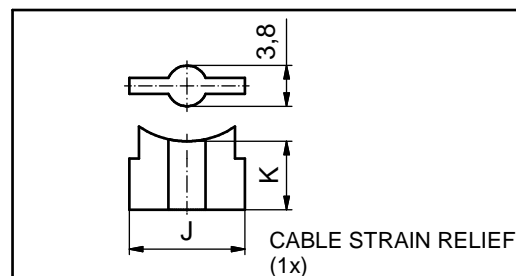


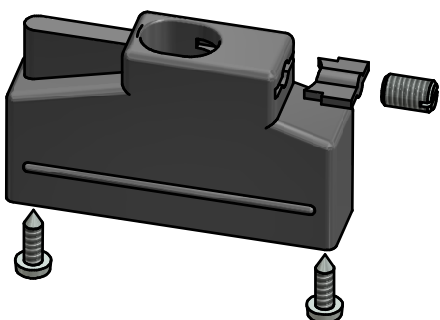
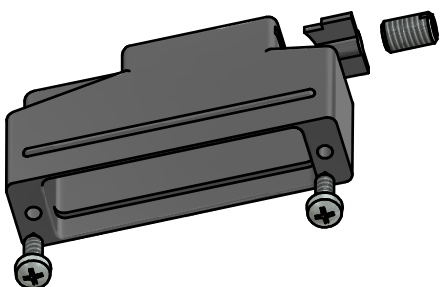
25-50pos. (b)



9-15pos.



POS.	A	B	C	D	E	F	G	H	J	K	PART-NO.
9	30.9	25.0	25.4	12.7	14.3	7.1	---	---	10.8	5.0	165X10389X
15	39.3	33.3	25.4	12.7	14.3	9.1	---	---	10.8	5.0	165X10399X
25	53.2	47.0	31.7	12.7	14.3	---	12.5	9.1	10.8	6.4	165X10409X
37	69.4	63.5	38.1	12.7	14.3	---	17.6	9.1	10.8	11.0	165X10419X
50	67.1	61.1	38.1	15.5	17.0	---	18.6	11.9	13.8	11.4	165X10429X



RoHS compliant

(b) NOTES:

- HOOD: POLYAMIDE 6 UL 94 V-0; BLACK
- CABLE STRAIN RELIEF: POLYAMIDE 6 UL 94 V-0; BLACK
- THREADED PIN: STEEL; ZINC PLATED
- SELF-TAPPING SCREWS: STEEL; ZINC PLATED
- OPERATING TEMPERATURE: -40°C to +125°C

THIS DRAWING MAY NOT BE COPIED OR REPRODUCED IN ANY WAY, AND MAY NOT BE PASSED ON TO A THIRD PARTY WITHOUT WRITTEN PERMISSION. OWNERSHIP AND COPYRIGHT OF CONEC GmbH				tolerance		dim. in mm	scale: 2:1	
				DO NOT ALTER CAD DRAWING BY HAND			material: SEE NOTES	
		date		name		title: D-SUB PLASTIC HOOD ONE-PIECE HOOD WITH STRAIGHT CABLE ENTRY 9-50pos.		
		drawn 12.01.96		Barcinski				
		appd. 12.01.96		ABA				
		norm		d-old		dwg no:		DIN-A3 sh: 1
6 x b		Ä5413		03.11.2014		Lehm.		
a		Original						part no: 16V1IT3A
rev.		description		date		name		
								SEE TABLE

