

SAFETY ORGANIZATION(S)

THIS FILTER HAS BEEN FORMALLY RECOGNIZED, CERTIFIED OR APPROVED BY THE LISTED AGENCY. THEREFORE, ALL TEST/REQUIREMENTS SPECIFIED IN THE LATEST REVISION OF THE FOLLOWING AGENCY STANDARDS HAVE BEEN MET.

- UL 1283
- CSA 22.2, NO.0,0.4,8
- VDE 565-3
- SEV 1055/TP1977/5.1.1

OPERATING SPECIFICATIONS.

LINE VOLTAGE/CURRENT:
 1 AMP., 120/250 VAC
 1 AMP./40°C, 250 VAC
 50-60Hz
 30°C
 .25mA at 120V 60 Hz
 .48 mA at 250V 50 Hz
 -10°C TO +40°C @ RATED CURRENT, I_r
 IN AN AMBIENT, T_a, HIGHER THAN 40°C, THE MAXIMUM OPERATING CURRENT, I_o, IS AS FOLLOWS:
 $I_o = I_r \sqrt{\frac{85 - T_a}{45}}$

RELIABILITY SPECIFICATIONS.

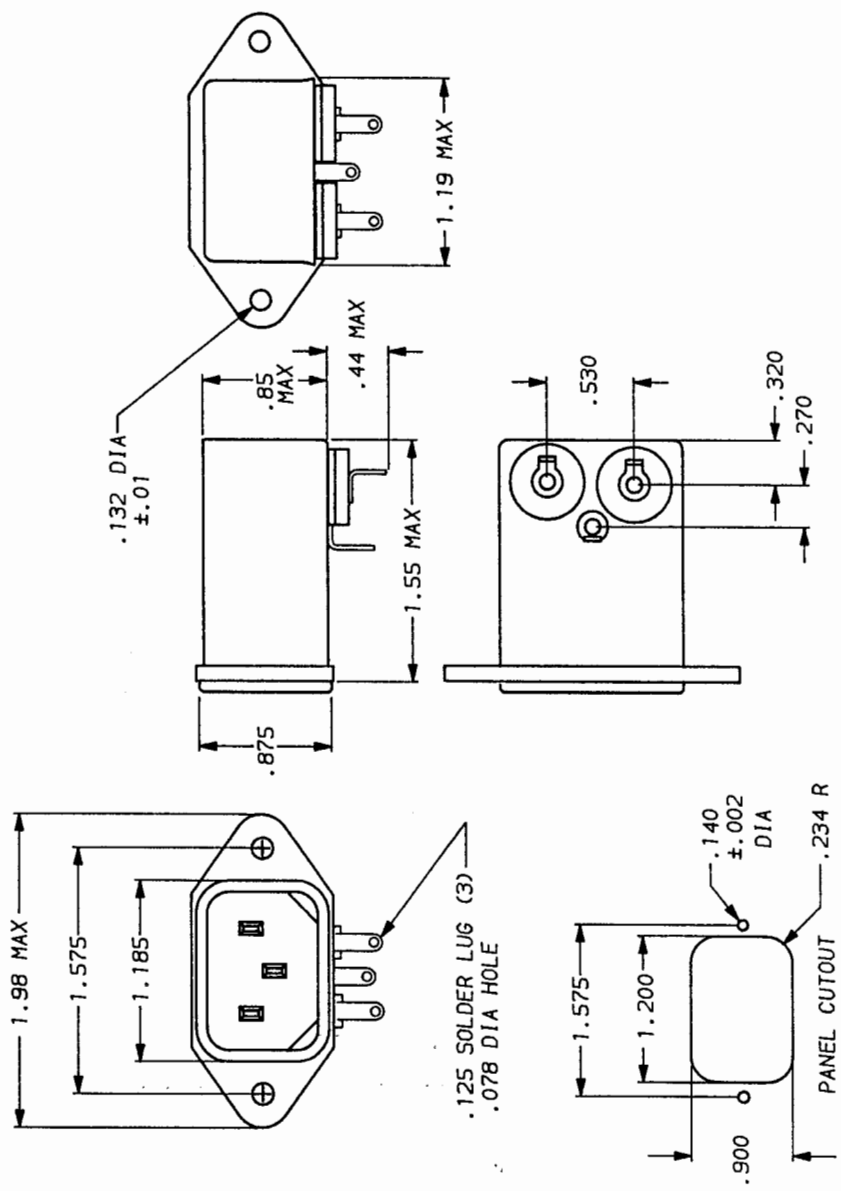
STORAGE TEMPERATURE:
 -40°C TO +85°C
 HUMIDITY:
 21 DAYS @ 40°C 95% RH
 CURRENT OVERLOAD TEST:
 6 TIMES RATED CURRENT FOR 8 SECONDS

TEST SPECIFICATIONS.

INDUCTANCE:
 1.9 mH NOMINAL
 CAPACITANCE, (MEASURED @ 1 KHz, 0.25 VAC MAX., 25°C ±1°C)
 .005µF ±20%
 .011µF ±20%
 LINE TO GROUND,
 LINE TO LINE,
 DISCHARGE RESISTOR,
 1.5 MΩ
 5000 MΩ (MIN) AT 100 VDC
 20°C AND 50% RH
 INSULATION RESISTANCE
 (W/O DISCHARGE RESISTOR)

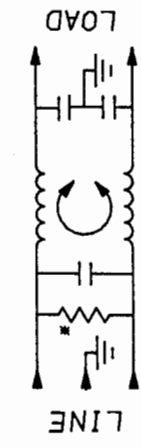
RECOMMENDED RECEIVING INSPECTION HIPOTL.

2250 VDC FOR 1 MINUTE
 1450 VDC FOR 1 MINUTE
 LINE TO GROUND,
 LINE TO LINE,
 FILTER APPROVAL,
 THE BEST WAY TO SELECT AND QUALIFY A FILTER IS FOR YOUR ENGINEERING TO TEST THE UNIT IN YOUR EQUIPMENT.



50Ω - 50Ω (MINIMUM) INSERTION LOSS

FREQUENCY MHz	.15	.5	1.0	5.0	10	20	30
COMMON	22	35	40	46	50	50	49



TOLERANCE EXCEPT AS NOTED
 DECIMAL, .XXX .XX .X ANGLES
 ENGLISH; ±.015
 METRIC, ±
 MATERIAL:
 AS SUPPLIED

FINISH:
 AS SUPPLIED

This document is proprietary to CORCOM INC. and is not to be reproduced nor used for manufacturing purposes except on CORCOM's order or prior written consent.



POWER LINE FILTER

SCALE	DATE	DRG. NO.	REV.
NTS	9-12-89		1 EF2.06
DRN. BY	DESIGNATOR		
TDL	CW		

*RESISTOR ADDED TO PRODUCT BUILT AFTER 3-30-92 (9212).