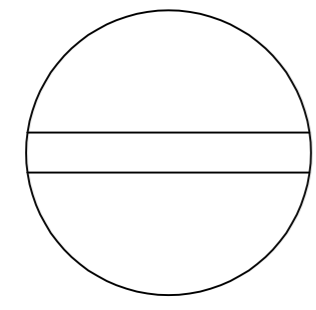
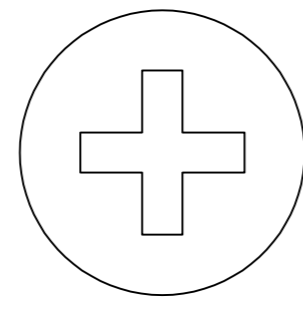


THIS DRAWING IS UNPUBLISHED. RELEASED FOR PUBLICATION
 © COPYRIGHT - By - ALL RIGHTS RESERVED.

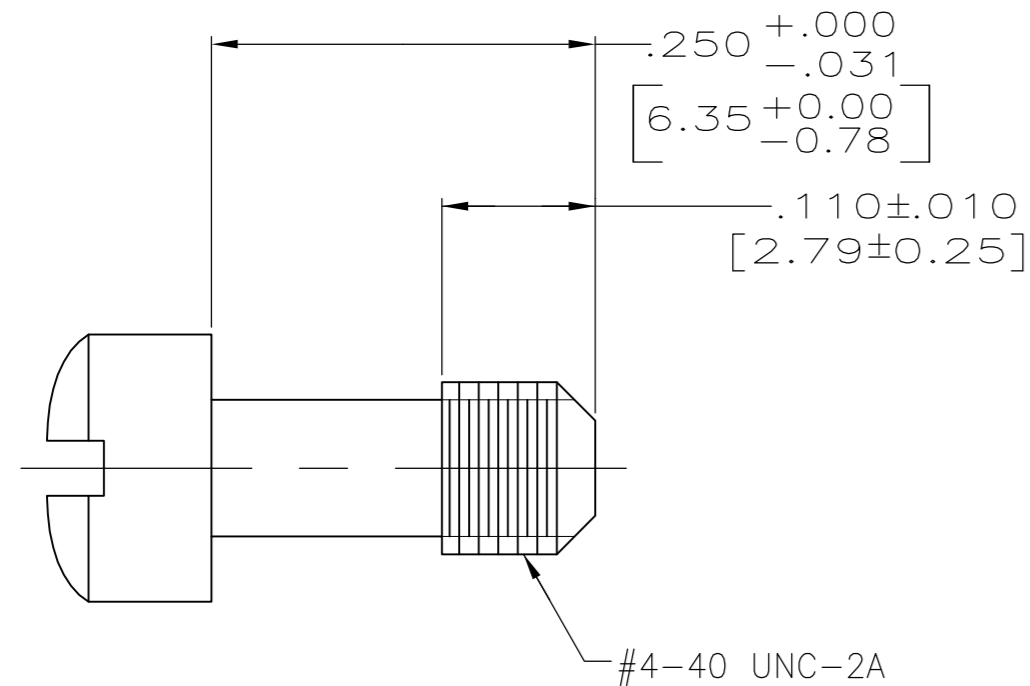
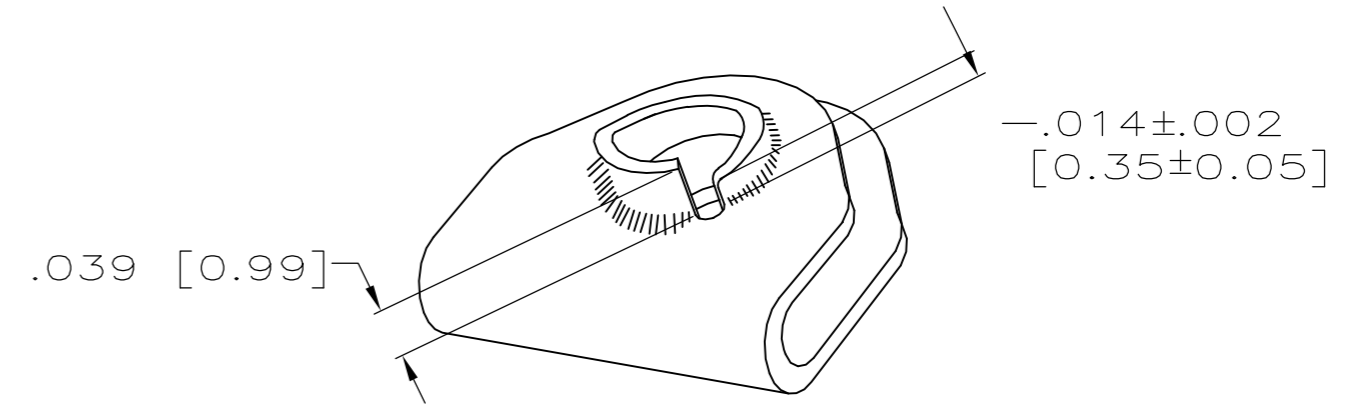
LOC		DIST		REVISIONS			
P	LTR	DESCRIPTION		DATE	DWN	APVD	
	F1	REVISED PER ECO-11-005030		11MAR11	RK	HMR	



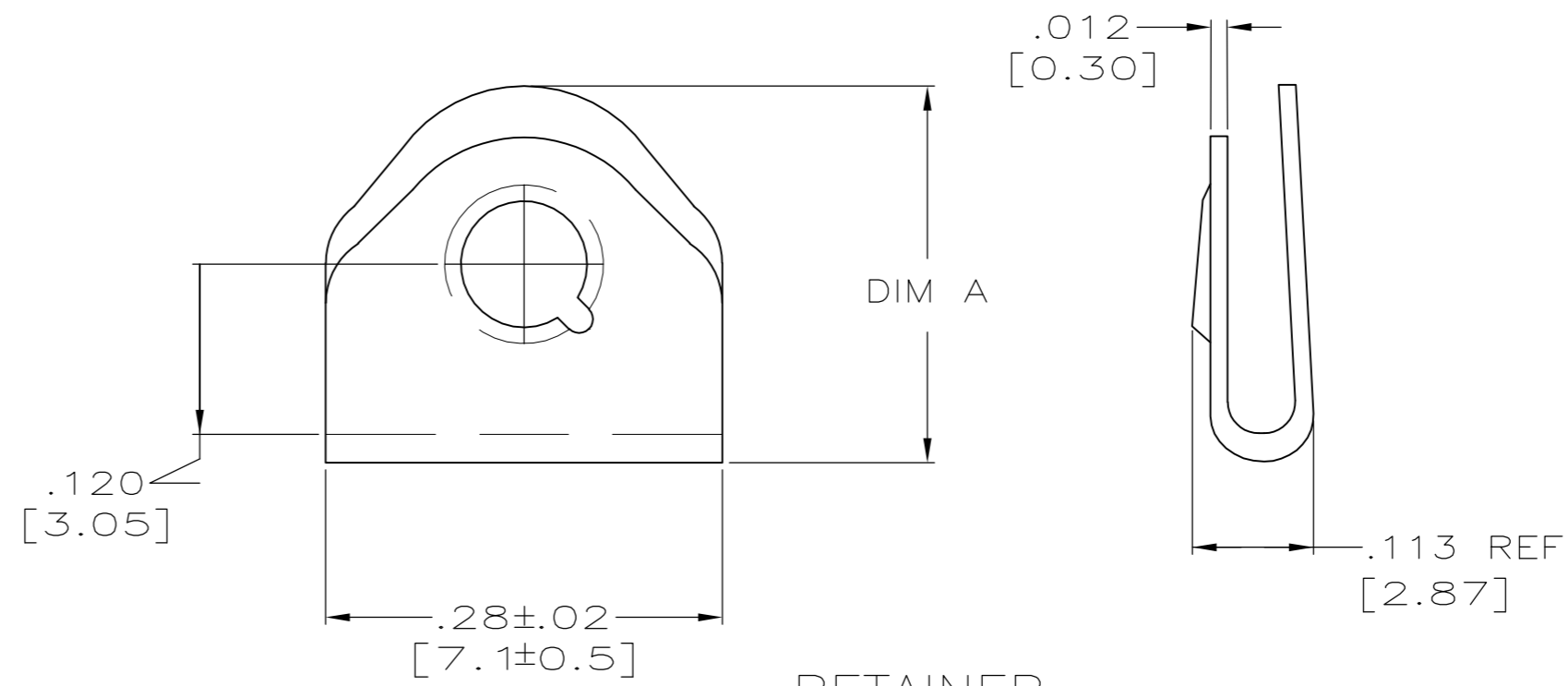
FILLISTER HEAD REF



PHILLIPS HEAD REF



SCREW, (TYPE; SEE TABLE)
 ① OR ③



RETAINER
 ② OR ④

- ① MAT'L: STAINLESS STEEL PER ASTM-A-582
FINISH: PASSIVATED PER SAE-AMS-2700
 - ② MAT'L: STAINLESS STEEL PER QQ-S-766
FINISH: PASSIVATED PER SAE-AMS-2700
 - ③ MAT'L: BRASS PER ASTM-B-16
FINISH: GOLD PLATE PER ASTM-B-488
OVER COPPER PER MIL-C-14550
 - ④ MAT'L: BeCu PER QQ-C-530
FINISH: GOLD PLATE PER ASTM-B-488
OVER COPPER PER MIL-C-14550
5. PARTS ARE PACKAGED UNASSEMBLED.

PHILLIPS HEAD	.240±.010 [6.10±0.25]	-	AS SHOWN ① ②	211883-7
FILLISTER HEAD	.240±.010 [6.10±0.25]	-	AS SHOWN ① ②	211883-6
FILLISTER HEAD	.265±.015 [6.73±0.38]	M24308/25-6P	AS SHOWN ① ②	211883-5
FILLISTER HEAD	.265±.015 [6.73±0.38]	-	AS SHOWN ③ ④	211883-1
SCREW HEAD TYPE	DIM A	MILITARY PART NO	DESCRIPTION	PART NO.

THIS DRAWING IS A CONTROLLED DOCUMENT.

DWN	C.C.THOMAS	2-11-03
CHK	D.MILLER	2-11-03
APVD	D.MILLER	2-11-03
PRODUCT SPEC		
APPLICATION SPEC		
WEIGHT	-	
CUSTOMER DRAWING		

TE Connectivity

NAME: SCREW-LOCK ASSEMBLY, MALE, AMPLIMITE, KIT

SIZE	CAGE CODE	DRAWING NO	RESTRICTED TO
A2	00779	C-211883	-
SCALE	8:1	SHEET	1 of 1
REV	F1		