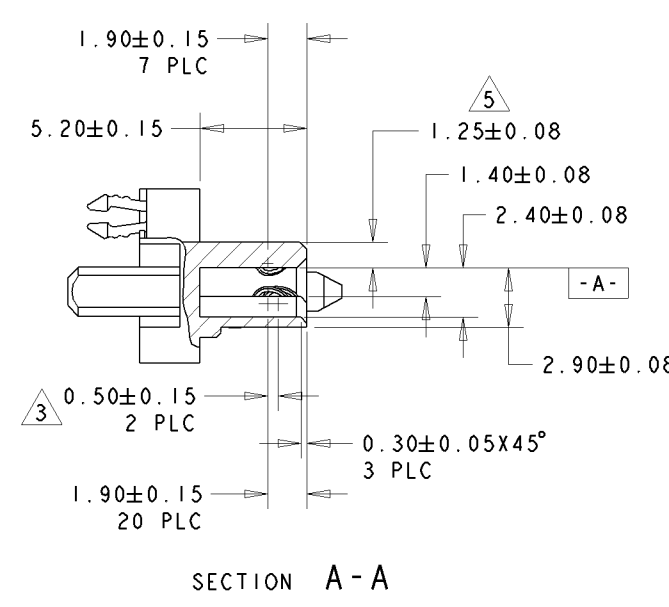
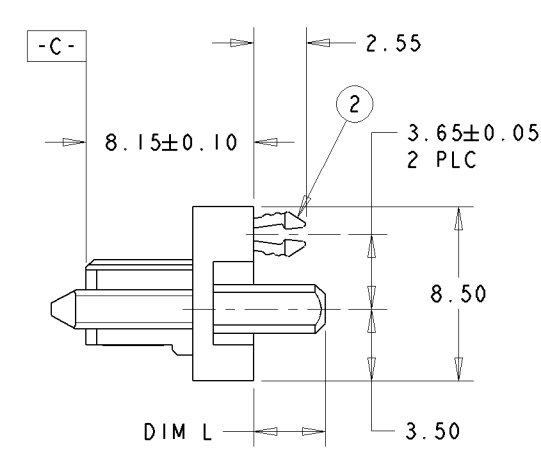
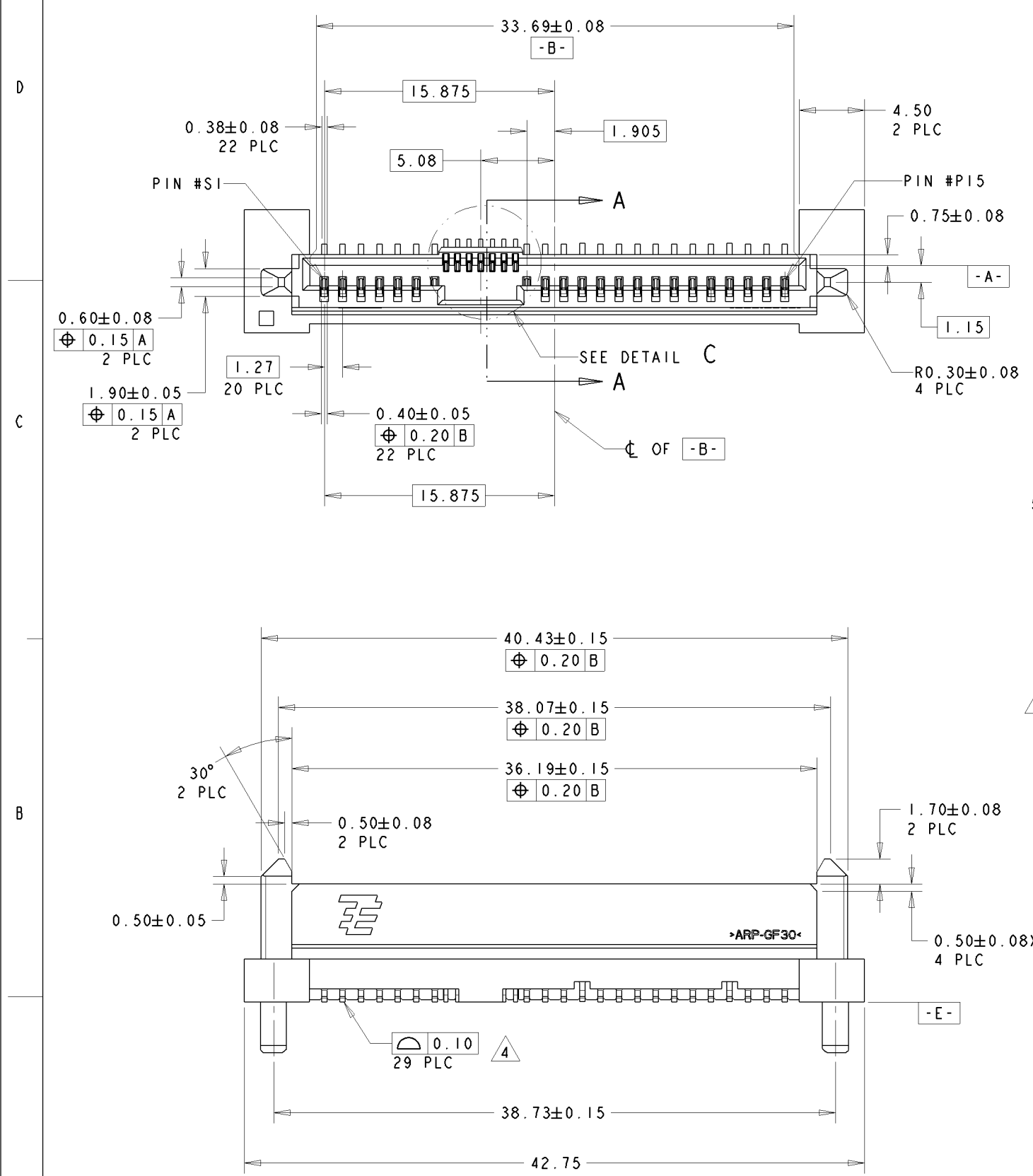
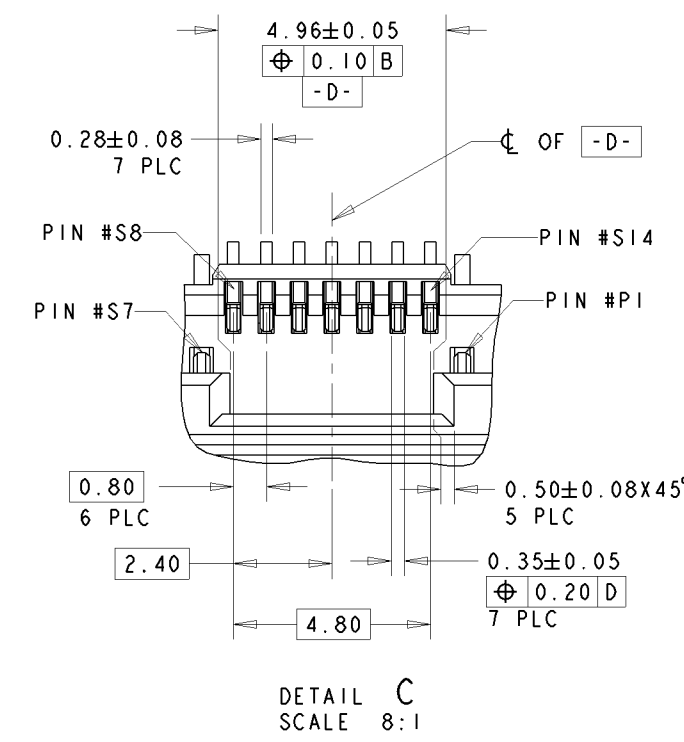


LOC	DIST	REVISIONS			
P	LTR	DESCRIPTION	DATE	DWN	APVD
DY	-	B	REVISED ECR-10-012418	14JUN10	LSK LSF



- NOTES:
- 1 MATERIAL:
HOUSING: HIGH TEMP THERMOPLASTIC, UL94V-0,
COLOR: BLACK
CONTACT: COPPER ALLOY
BOARDLOCK: COPPER ALLOY
 - 2 FINISH:
CONTACT AREA: MIN 0.76um GOLD PLATING
SOLDERTAIL: MIN 2.54um MATTE TIN PLATING
UNDERPLATE: MIN 1.27um NICKEL PLATING
 - 3 PIN #P4 AND #P12 ONLY
 - 4 SOLDERTAIL TO BE 0.05 MAX ABOVE AND
0.10 MAX BELOW DATUM E
 - 5 1.33 MAX MEASURED AT -C-

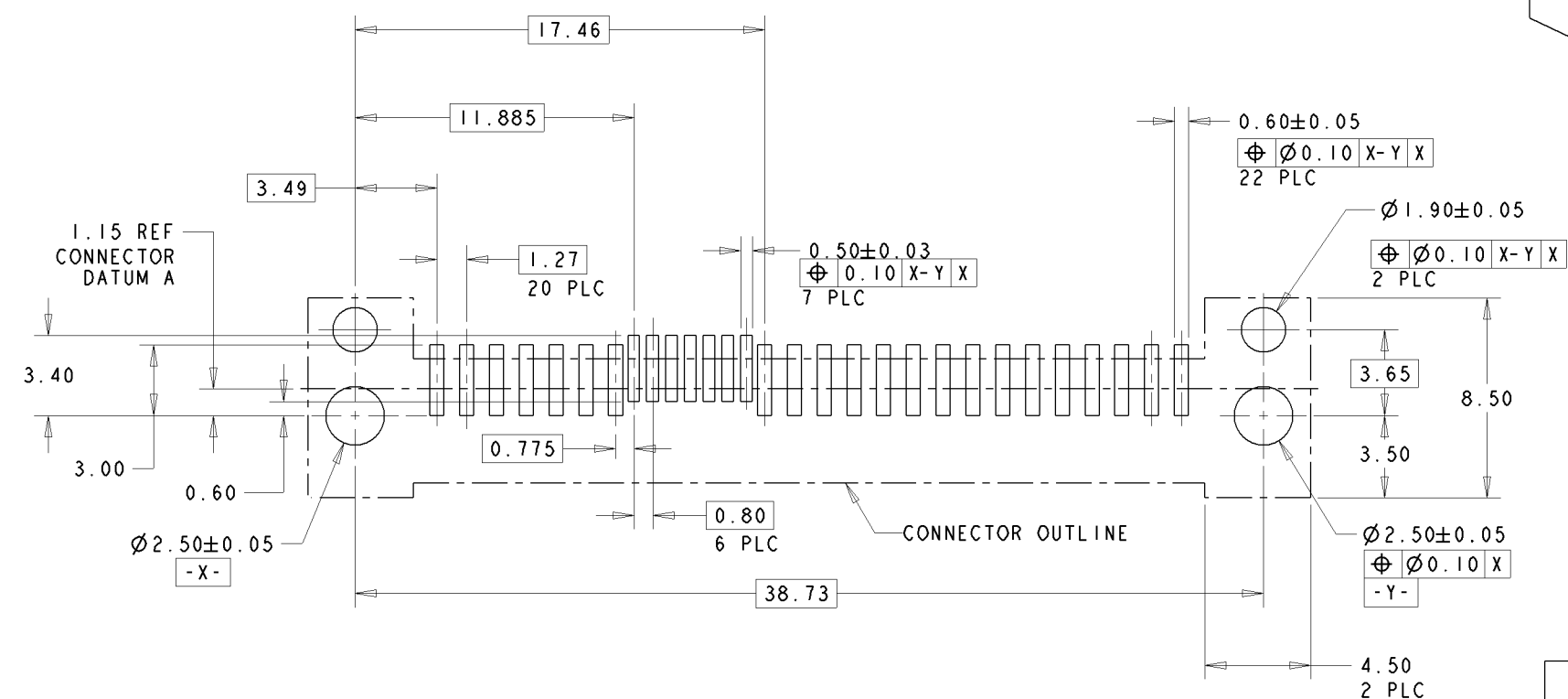
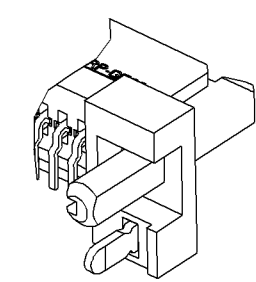
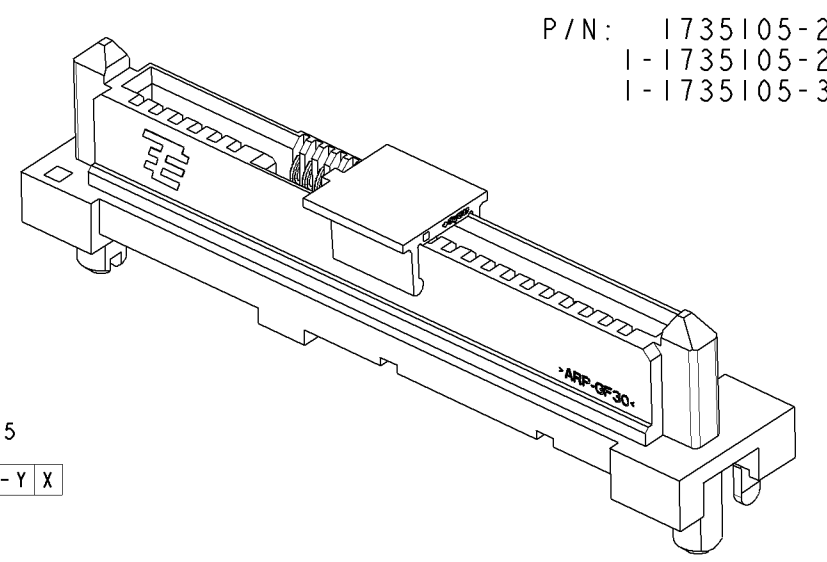
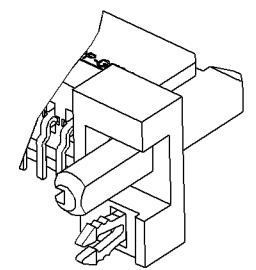
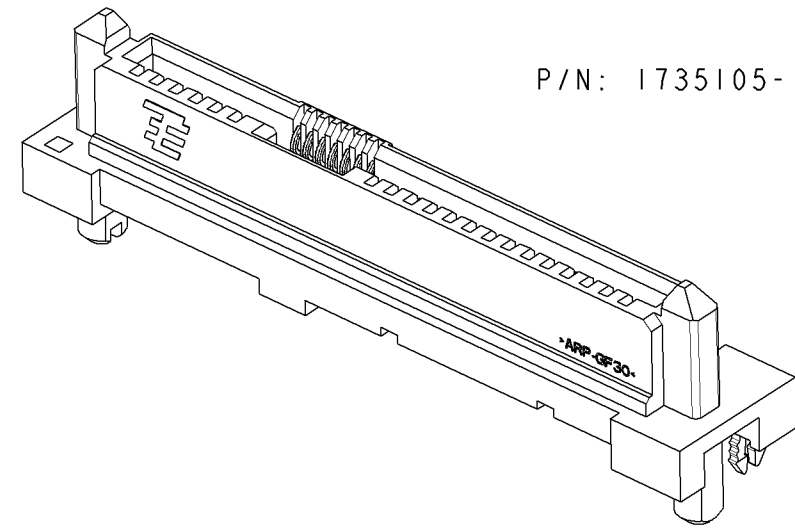
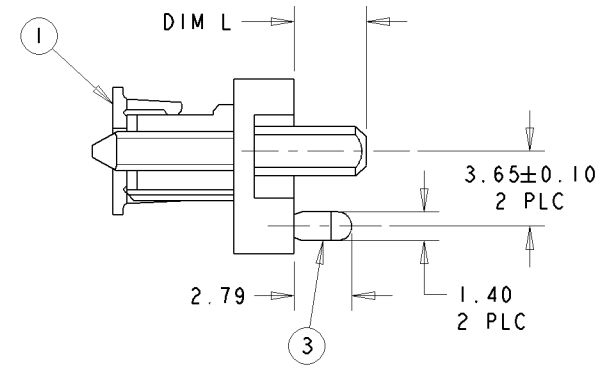
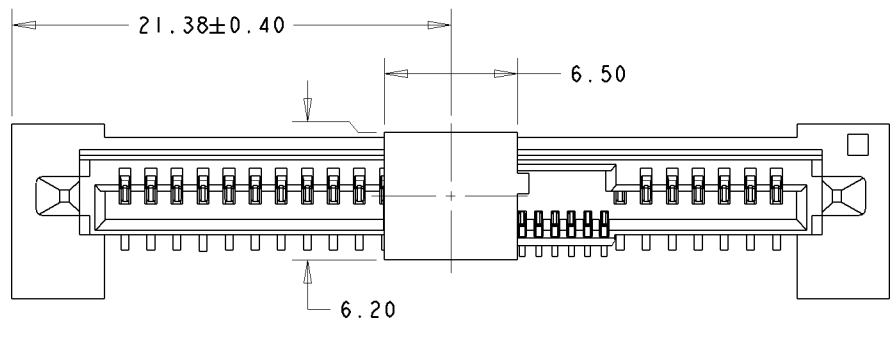


TAPE & REEL	ZIF TYPE (3)	2.30	YES	1-1735105-3
TAPE & REEL	ZIF TYPE (3)	3.50	YES	1-1735105-2
TRAY	ZIF TYPE (3)	3.50	YES	1735105-2
TRAY	FORK TYPE (2)	3.50	NO	1735105-1
PACKAGING	BOARDLOCK	DIM L	PICK-UP CAP (1)	PART NUMBER

THIS DRAWING IS A CONTROLLED DOCUMENT FOR AMP INCORPORATED. IT IS SUBJECT TO CHANGE AND THE CONTROLLING ENGINEERING ORGANIZATION SHOULD BE CONTACTED FOR THE LATEST REVISION.		DWN SK LEAW 29JUL2005 CHK SF LEONG 29JUL2005 APVD SF LEONG 29JUL2005	Tyco Electronics Singapore Pte. Ltd.
DIMENSIONS - mm 	TOLERANCES UNLESS OTHERWISE SPECIFIED: 0 PLC ± 1 PLC ± 2 PLC ±0.20 3 PLC ± 4 PLC ± ANGLES ±3° FINISH	NAME SAS BACKPLANE RECEPTACLE, VERTICAL, SMT PRODUCT SPEC 108-51067 APPLICATION SPEC	SIZE A2 CAGE CODE 00779 DRAWING NO C=1735105
MATERIAL	(1)	WEIGHT -	SCALE 4:1 SHEET 1 OF 2 REV B

LOC		DIST		REVISIONS			
P	LTR	DESCRIPTION	DATE	DWN	APVD		
DY	-	SEE SHEET 1	-	-	-		

P/N: 1735105-2 AS SHOWN
 1-1735105-2
 1-1735105-3



RECOMMENDED PCB LAYOUT
 SCALE 5:1

THIS DRAWING IS A CONTROLLED DOCUMENT FOR AMP INCORPORATED. IT IS SUBJECT TO CHANGE AND THE CONTROLLING ENGINEERING ORGANIZATION SHOULD BE CONTACTED FOR THE LATEST REVISION.		DWN SK LEAW 29JUL2005	Tyco Electronics Singapore Pte. Ltd.	
		CHK SF LEONG 29JUL2005	NAME SAS BACKPLANE RECEPTACLE, VERTICAL, SMT	
		APVD SF LEONG 29JUL2005	DRAWING NO C=1735105	
DIMENSIONS mm		PRODUCT SPEC 108-51067	SIZE A2	CAGE CODE 00779
MATERIAL		APPLICATION SPEC	SCALE 4:1	SHEET 2 of 2
		WEIGHT	REV B	
		CUSTOMER DRAWING		