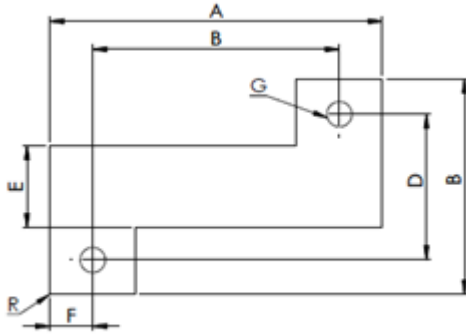


Die Cut PCM Resistor Pad



Features

Low thermal resistance
Natural tack

Applications

Resistor Pad

Properties

- ◆ REACH Compliant
- ◆ RoHS Compliant

Property	PC99AL	Unit	Test Method
Colour	Grey	-	Visual
Thickness	0.10	mm	ASTM D374
Total Mass Loss	<0.4	%	ASTM E595
Working Temperature	-30 to 125	°C	-
Operating Temperature	20 - 60	°C	-
Phase change Temperature	51	°C	-
Volume Resistance	>10 ²	Ohm-cm	ASTM D257
Dielectric Strength	No Insulation	VAC	ASTM D149
Thermal Conductivity	1.5	W/mK	ASTM D5470
Thermal Impedance @ 1mil BLT	0.23	°C in ² /W	ASTM D5470
Thermal impedance @ 2mil BLT	0.12	°C in ² /W	ASTM D5470
Thermal impedance @ 3mil BLT	0.10	°C in ² /W	ASTM D5470
Flammability Rating	V-0	-	UL94

Dimensions / mm							Ordering part number
A	B	C	D	E	F	G	
19	20.3	14.30	15.9	10.8	2.4	2.4	DC0041/01 - XXX - T
27	27.4	18.30	19.8	14	4.4	3.2	DC0041/02 - XXX - T
50.00	29	39.6	21.3	16	5.1	3.2	DC0041/03 - XXX - T
88.9	71.4	69.9	57.1	46	9.7	4.8	DC0041/04 - XXX - T