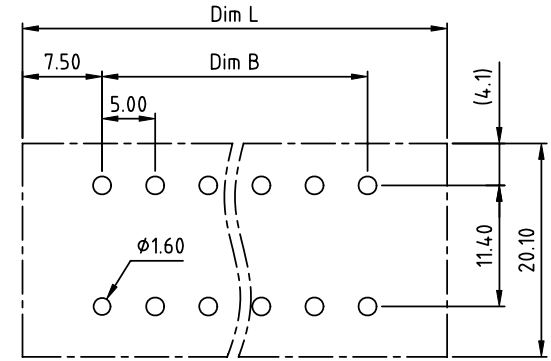
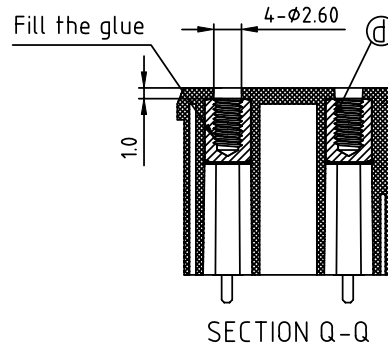
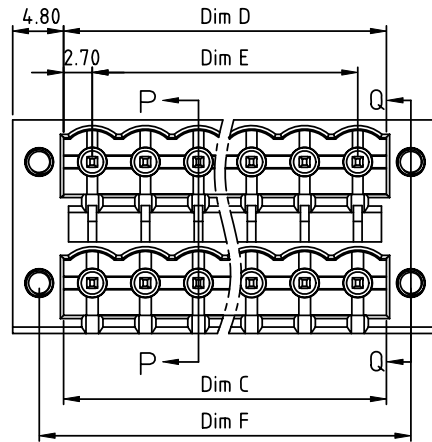
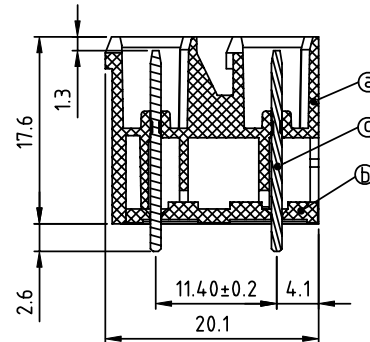
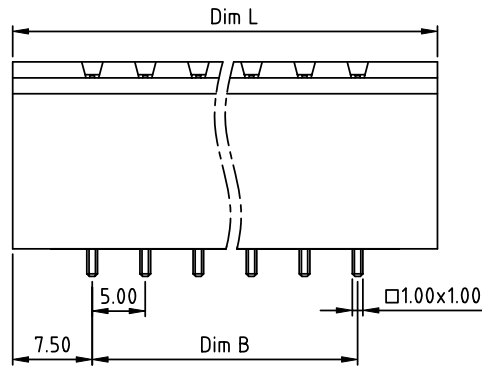


PRODUCT NUMBER	PITCH
KExx72x200J0G	5.00 mm



RECOMMENDED P.C.B LAYOUT
TOP VIEW



SECTION P-P

- Material:
- Item ① Terminal(housing): Thermoplastic (UL94V-0)
 - Item ② Terminal(cover): Thermoplastic (UL94V-0)
 - Item ③ Pin: Copper Tin plated
 - Item ④ With flange nut: Brass M2.5

- Electrical: cULus
- Voltage rating: 300V
 - Current rating: 12A
 - Withstanding Voltage: 1.6KV
 - Operating temperature: -40°C to +115°C
 - Soldering temperature: 260°C±5°C/5 Sec
 - Safety Approval:

PART NO.: KE xx 7 2 x 2 00J0 G

N=Number of poles
 Dim L=(N/2+2)×5.0 Dim D=(N/2-1)×5.0+5.4
 Dim B=(N/2-1)×5.0 Dim E=(N/2-1)×5.0
 Dim C=(N/2-1)×5.0+5.4 Dim F=(N/2-1)×5.0+10.0

Poles	Dim L	Dim B	Dim C	Dim D	Dim E	Dim F
2×2P-2×6P	±0.15	±0.15	+0.05 -0.05	+0.05 -0.05	±0.15	±0.15
2×7P-2×12P	±0.25	±0.25	+0.10 -0.05	+0.10 -0.05	±0.25	±0.25
2×13P-2×18P	±0.35	±0.35	+0.20 -0.05	+0.20 -0.05	±0.35	±0.35
2×19P-2×24P	±0.40	±0.40	+0.25 -0.10	+0.25 -0.10	±0.40	±0.40

	Solid block	No. of poles	Color	RoHS compliant (lead<4%) In copper Alloy
04	2x2poles	2	Black (RAL9005)	
06	2x3poles	3	Red (RAL3001/D)	
...	...	4	Orange(RAL2011/P)	
48	2x24poles	4	Yellow(RAL1018/A)	
		5	Green(RAL6018/T)	
		6	Blue (RAL5015/A)	
		8	Grey(RAL7035/D)	
		9	White(RAL1102)	
		C	Green(RAL6018/U)	

mat'l. code		surface ASME Y14.5	tolerance ASME Y14.5	projection	product family
ltr	ecn no	dr	date		TERMINAL BLOCK
tolerances unless otherwise specified				MM	title
angles				scale	TERMINAL BLOCK
X°±1'					PLUGGABLE SOCKET, VERTICAL, WITH FLANGE
dr EVIN ZHONG 042414					dwg no
enr EVIN ZHONG 042414					sheet 1 of 1
chr HANKE FENG 042414					size
appd SHI JUN 042414					A4
sheet index	revision	A		type CUSTOMER Drawing	
	sheet	1			