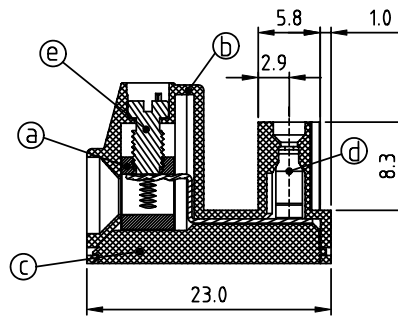
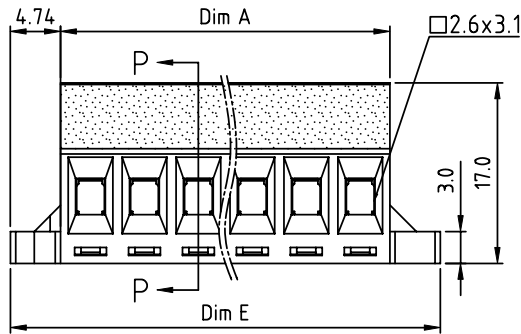
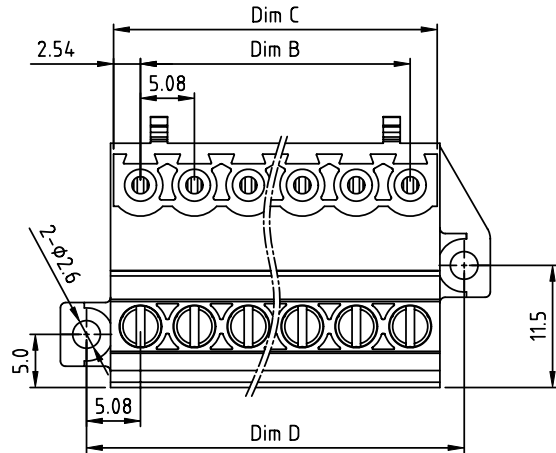


PRODUCT NUMBER	PITCH
V9xx51x000J0G	5.08 mm



SECTION P-P

- Material:
- Item ① Clamp: Brass Ni plated
 - Item ② Terminal (housing): Thermoplastic (UL94V-0)
 - Item ③ Terminal (Cover): Thermoplastic (UL94V-0)
 - Item ④ Male contact: PhBz, Tin plated.
 - Item ⑤ Terminal screw: Steel Zinc plating " - " slot type
- Electrical: cULus
- Voltage rating: 300V
 - Current rating: 12A
 - Wire range:
 - Solid wire(AWG):12-30
 - Stranded wire(AWG):12-30
 - Torque: 5.2 Lb-In.
 - Screw: M3
 - Wire strip length:6-7 mm
 - Withstanding Voltage:1.6KV
 - Operating temperature:-40°C to +115°C
 - Safety Approval: cULus

Dimension

Dim A	(N-1) × 5.08+5.6
Dim B	(N-1) × 5.08
Dim C	N × 5.08
Dim D	(N-1) × 5.08+10.16
Dim E	(N-1) × 5.08+15.08

N=Number of poles

Poles	Tolerance
2P - 6P	±0.15
7P - 12P	±0.20
13P - 18P	±0.30
19P - 24P	±0.40

PART NO.: V9 xx 51 x 0 00J0 G

	Color	RoHS compliant
Solid block	0 Black (RAL9005)	(lead<4%)
No. of poles	2 Red (RAL3001/D)	In copper Alloy
02 2 poles	3 Orange(RAL2011/P)	
03 3 poles	4 Yellow(RAL1018/A)	
...	5 Green(RAL6018/T)	
24 24 poles	6 Blue (RAL5015/A)	
	8 Grey(RAL7035/D)	
	9 White(RAL1102)	
	C Green(RAL6018/U)	

mat'l. code		surface ASME Y14.5	tolerance ASME Y14.5	projection	product family TERMINAL BLOCK
ltr	ecn no	dr	date	 MM	title TERMINAL BLOCK PLUGGABLE PLUG,BOTTOM COVER FIXED TYPE
		angles	$X \pm 0.5$ $X.X \pm 0.3$ $X^{*} \pm 1^{*}$	scale	
		dr	EVIN ZHONG	050414	dwg no
		engr	EVIN ZHONG	050414	sheet 1 of 1
		chr	HANKE FENG	050414	size
		appd	SHI JUN	050414	A4
sheet index	revision	A			type CUSTOMER Drawing
	sheet	1			