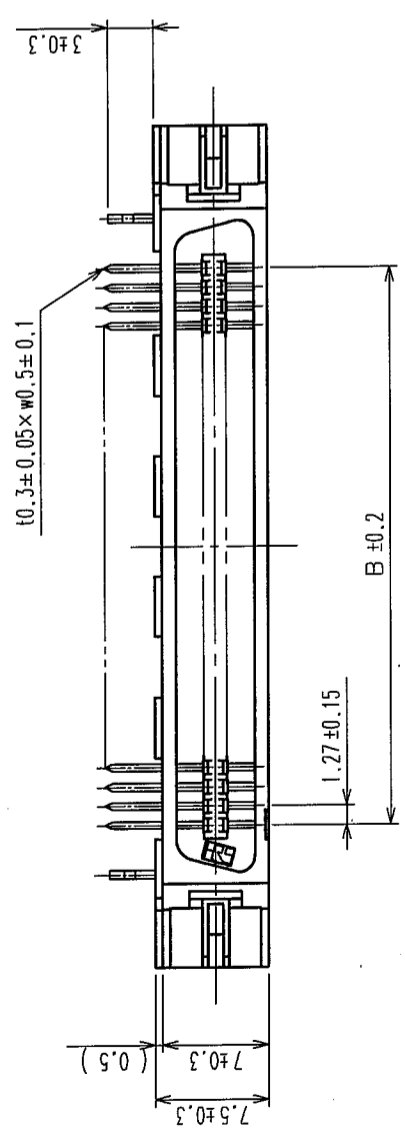
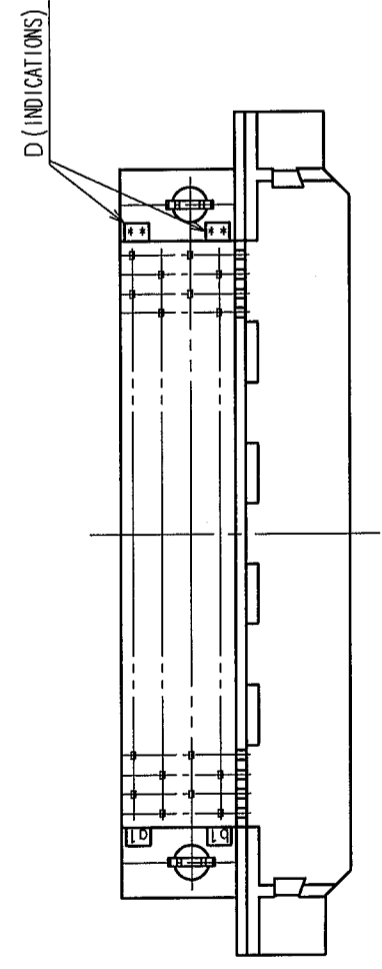
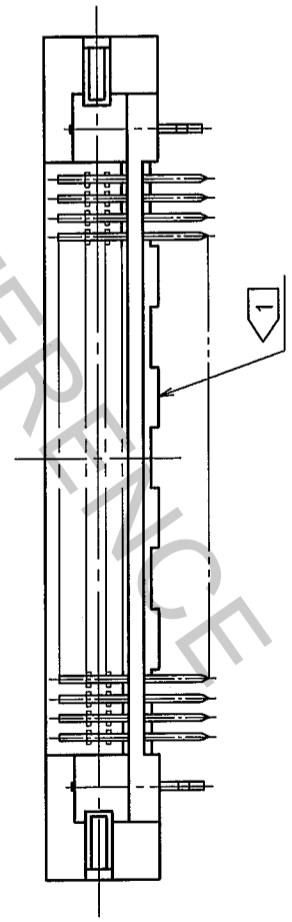
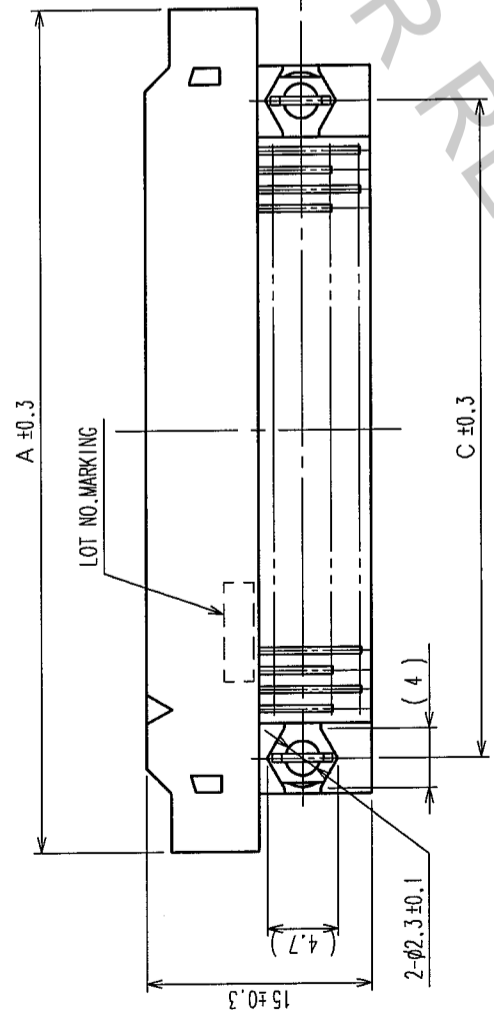
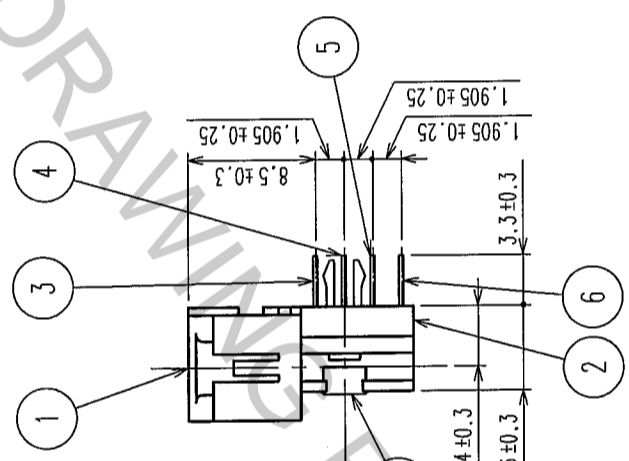
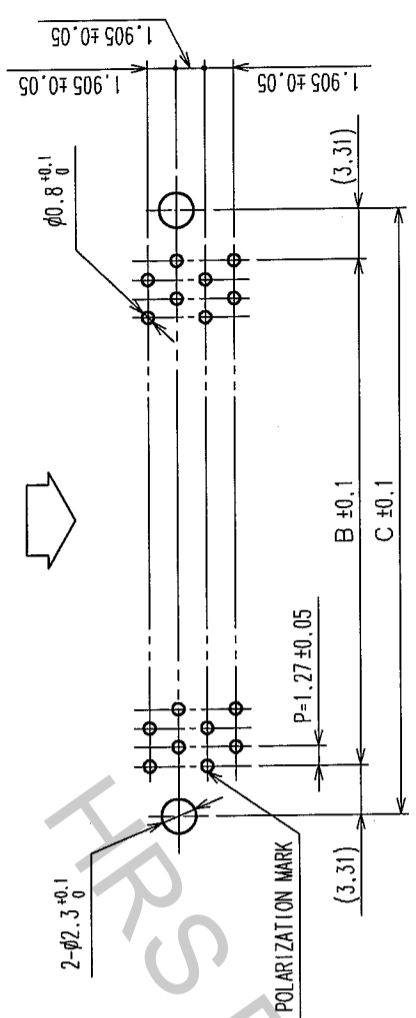


COUNT		DESCRIPTION OF REVISIONS		BY	CHKD	DATE	COUNT		DESCRIPTION OF REVISIONS		BY	CHKD	DATE



RECOMMEND PC BOARD HOLE PATTERN (MOUNTING SIDE)

MATING SIDE



PART No.	CODE No.	A	B	C	D
FX2B-20PA-1.27DSL(71)	CL572-0771-5-71	20	30.33	11.43	18.05
FX2B-32PA-1.27DSL(71)	CL572-0772-8-71	32	37.95	19.05	25.67
FX2B-40PA-1.27DSL(71)	CL572-0773-0-71	40	43.03	24.13	30.75
FX2B-52PA-1.27DSL(71)	CL572-0774-3-71	52	50.65	31.75	38.37
FX2B-60PA-1.27DSL(71)	CL572-0775-6-71	60	55.73	36.83	43.45
FX2B-68PA-1.27DSL(71)	CL572-0776-9-71	68	60.81	41.91	48.53
FX2B-80PA-1.27DSL(71)	CL572-0777-1-71	80	68.43	49.53	56.15
FX2B-100PA-1.27DSL(71)	CL572-0778-4-71	100	81.13	62.23	68.85

NOTES
 1 STANDOFF DIFFERS ACCORDING TO PRODUCTS.
 2 NUMBER OF PIN.
 3. THE DIMENSIONS IN PARENTHESES ARE FOR REFERENCE.

7		3~6		BRASS		CONTACT AREA: GOLD FLASH	
PHOSPHOR BRONZE		TIN-PLATING		DIP AREA: TIN-PLATING 2μm min		UNDER PLATING: NICKEL 1μm min	
1,2 POLYAMIDE		BLACK		UL94V-0			
NO.	MATERIAL	FINISH,	REMARKS	NO.	MATERIAL	FINISH,	REMARKS
CODE NO. (OLD)				CL			
DRAWN		DESIGNED		CHECKED		APPROVED	
I. OKAYAMA		K. NAKAMURA		H. OKAWA		H. OKAWA	
04.06.02		04.06.02		04.06.14		04.06.14	
DRAWING NO.				PART NO.			
EDC3-151041-21				FX2B-**PA-1.27DSL(71)			
SCALE				CODE NO.			
FREE				CL572			
UNITS				mm			

TO
PCK