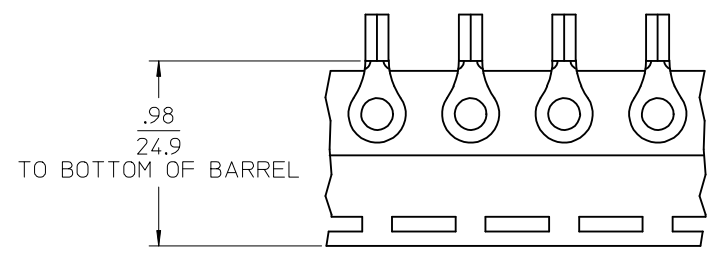
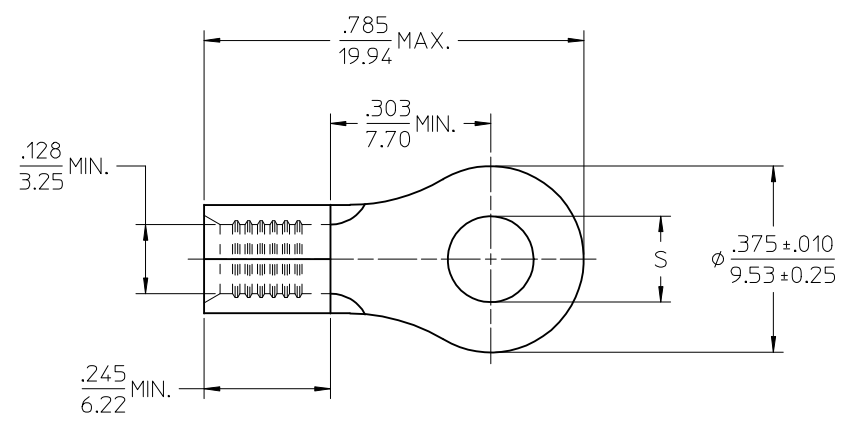


MATERIAL NO. LOOSE PIECE	ENG. NO.	MATERIAL NO. TAPE MOUNTED	ENG. NO.	STUD SIZE	"S" ±.005/0.13	STOCK THICKNESS	FINISH	
190690200	C-128-04	190690147	C-128-04T	4	(A1) .126/(3.20)	.040/(1.02)	SEE NOTE 2	
190690202	C-128-06	190690148	C-128-06T	6	.146/(3.71)			
190690205	C-128-08	190690208	C-128-08T	8	.173/(4.39)			
190690209	C-128-10	190690212	C-128-10T	10	.198/(5.03)			
190690215	C-128-209	---	---	209	.209/(5.18)			
192030159	C-U-128-06	192030111	C-U-128-06T	6	.146/(3.71)	.038/(0.97)		
192030160	C-U-128-08	192030112	C-U-128-08T	8	.173/(4.39)			
192030113	C-U-128-10	192030114	C-U-128-10T	10	.198/(5.03)			
190690682	C-128-10-AU	---	---	10	.198/(5.03)	.040/(1.02)		SEE NOTE 3



SALES DRAWING

- NOTES:
 1. MATERIAL: COPPER.
 2. FINISH: TIN PLATING, 100(2.5)µin(µm) MIN
 3. FINISH: GOLD, 50(1.25)µin(µm) MIN. OVER NICKEL, 50(1.25)µin(µm) MIN. PLATING.
 4. WIRE SIZE: 12-10 AWG, 4.0-6.0 MM²
 5. PARTS ARE ROHS COMPLIANT.

CORRECTED 4 STUD EC NO: IFC2017-0896 DRAWING: JAS01 2017/03/28 CHKD: JMACNEIL APPR: JMACNEIL 2017/03/30 REV: A1	QUALITY SYMBOLS	GENERAL TOLERANCES (UNLESS SPECIFIED)	DIMENSION STYLE	SCALE	DESIGN UNITS	THIRD ANGLE PROJECTION
	▽=0	mm INCH	IN/MM	---	INCH	
	▽=0	4 PLACES ± --- ± ---	DRAWN BY DATE			TITLE
		3 PLACES ± --- ± ---	BDEROSS 2000/6/13			RING TONGUE TERMINAL
		2 PLACES ± --- ± ---	CHECKED BY DATE			KRIMPTITE, 128 SERIES
	1 PLACE ± --- ± ---	JMACNEIL 2014/10/30			12-10 AWG	
	ANGULAR ± ---°	APPROVED BY DATE				
		JMACNEIL 2014/11/19				
		MATERIAL NO.	SEE CHART		DOCUMENT NO.	SHEET NO.
					SD-19069-020	1 OF 1
		THIS DRAWING CONTAINS INFORMATION THAT IS PROPRIETARY TO MOLEX INCORPORATED AND SHOULD NOT BE USED WITHOUT WRITTEN PERMISSION				