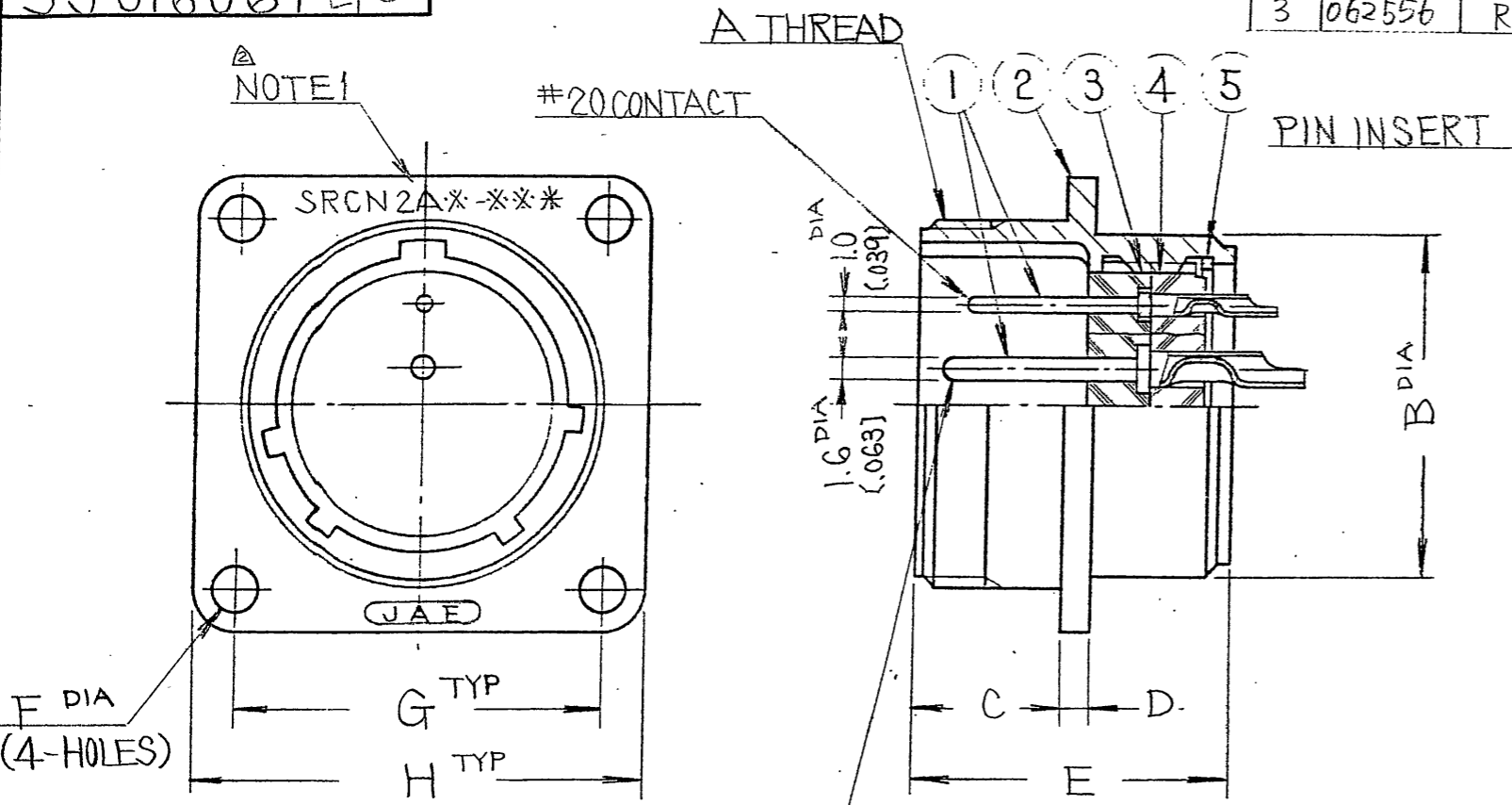


DWG. NO.	SYM.
SJ016061-E	3

SYM.	DCN NO.	DESCRIPTION	DATE	DRAWN	CHECKED	APP'D	APP'D
1	15967	CHANGED STAMPING POSITION	1-FEB-83	K. Ota	H. Inoue	N. Iwashiro	H. Kawamura
3	062556	REVISED NOTE	16-MAR-2007	T. Takasita	E. Motomoto	-	A. Onogawa



SHELL SIZE	A THREAD	$\pm 0.3 \{ \pm 0.012 \}$ B DIA	C	D	E	$\pm 0.3 \{ \pm 0.012 \}$ F DIA	G TYP	± 0.5 H TYP
13	M18 P1	16 (.630)	10.5 (.413)	2.0 (.079)	22.5 (.886)	3.2 (.126)	20.00 (.787)	26 (1.024)
16	M22 P1	20 (.787)	↑	↑	↑	↑	23.00 (.906)	29 (1.142)
21	M26 P1	24 (.945)	↓	↓	↓	↓	26.00 (1.024)	32 (1.260)
25	M30 P1	28 (1.102)	10.5 (.413)	2.0 (.079)	22.5 (.886)	3.2 (.126)	29.00 (1.142)	35 (1.378)

NOTES

1. METAL STAMPS "SRCN 2A * - * * *" (JAE)

2. FOR AVAILABLE INSERT ARRANGEMENTS, ALTERNATE POSITIONS, ELECTRICAL SPECIFICATIONS AND CONTACT SIZE, REFER TO SJ014069 OR CONSULT FACTORY.

3. IDENTIFICATION PER JIS C 5432 AS FOLLOWS.

IDENTIFICATION

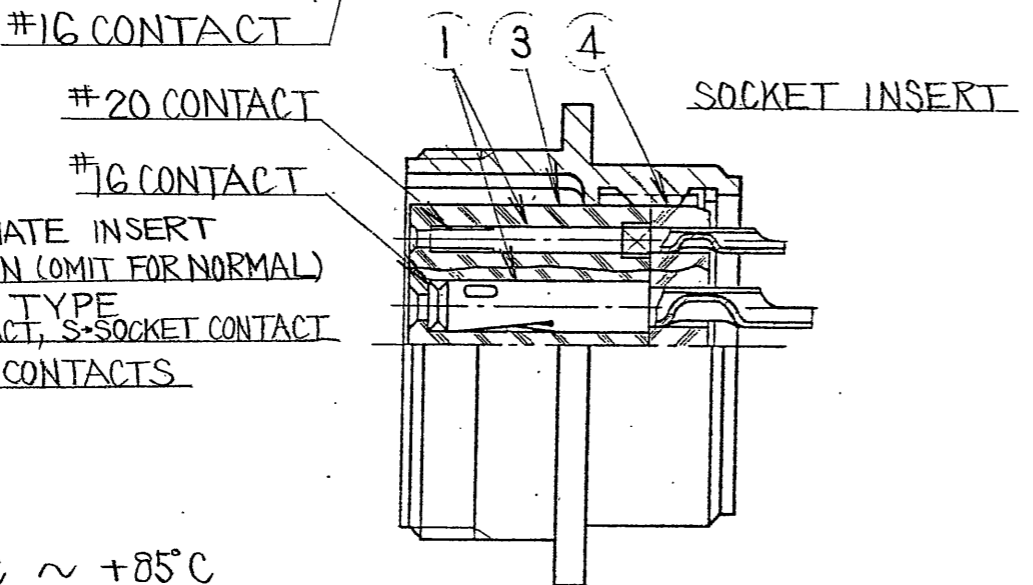
SRCN 2A * - * * *

SERIES PREFIX

SHELL STYLE

CLASS

SHELL SIZE



CNRO1SR * 0 * 0 * *

M - PIN CONTACT
CONTACT TYPE F - SOCKET CONTACT

(OMIT FOR NORMAL)

ALTERNATE INSERT POSITION

NUMBER OF CONTACTS

SHELL SIZE

REQUIREMENTS

TEMPERATURE -25°C ~ +85°C

RELATIVE HUMIDITY 85% MAX

INSULATION RESISTANCE 1000 MΩ MIN (AT DC 500V)

ITEM	DESCRIPTION	Q'TY	MATERIAL	FINISH	NOTE
5	RING RETAINING	1	COPPER ALLOY	NICKEL PLATING	
4	INSULATOR, REAR	1	PLASTIC	NONE	UL FLAME CLASS 94V-0
3	INSULATOR, FRONT	1	PLASTIC	NONE	UL FLAME CLASS 94V-0
2	SHELL	1	ALUMINUM ALLOY	SATIN NICKEL PLATING	
1	CONTACTS	-	COPPER ALLOY	SILVER PLATING	SEE NOTE 2

UNLESS OTHERWISE SPECIFIED		DATE	TITLE	
DIMENSIONS ARE IN MILLIMETERS TOLERANCES ON: (INCHES)		5-26-1981	CONNECTOR RECEPTACLE ELECTRICAL, BOX MOUNTING SRCN 2A	
FRACTIONS	DECIMALS	CHECKED	JAE-CONNECTOR.COM Reference Only NAKAGAMI-CHO, AKISHIMA-SHI TOKYO, JAPAN	
$\frac{1}{16}$	0.0625	M. Nomatsu		
$\frac{1}{32}$	0.03125	H. Inoue, M. Takai		
TREATMENT OR FINISH		APP'D	DWG. NO.	
		T. Yajima	SJ016061-E	
SCALE	DWG. SIZE	WT.	SHEET	
NONE	B			

APPLICATION	USED ON	NEXT ASS'Y	FINAL ASS'Y