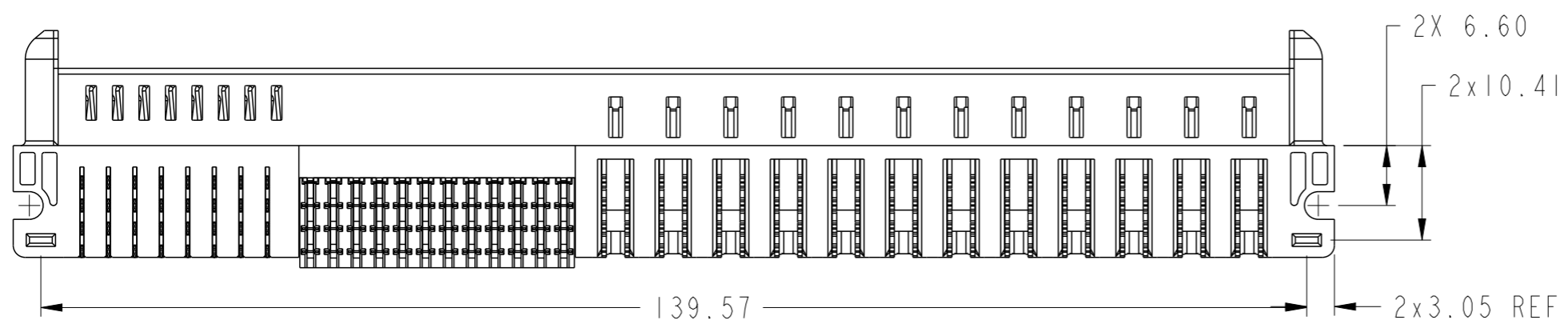
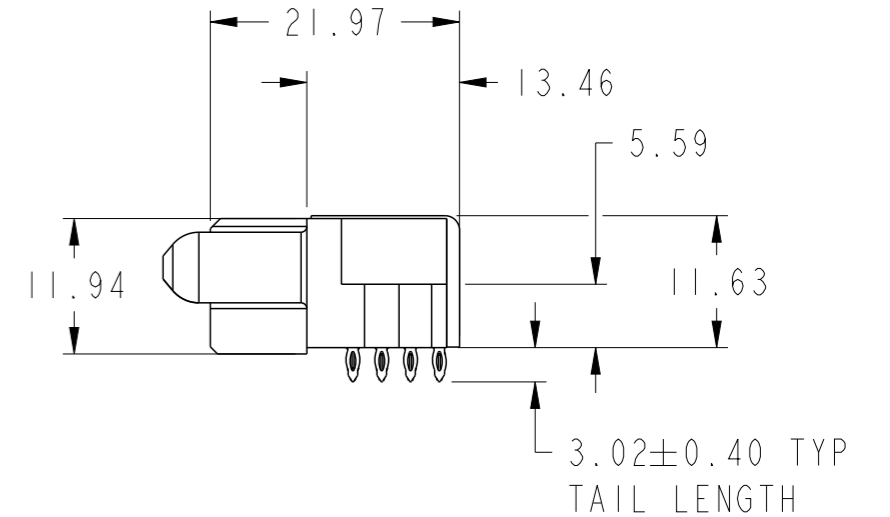
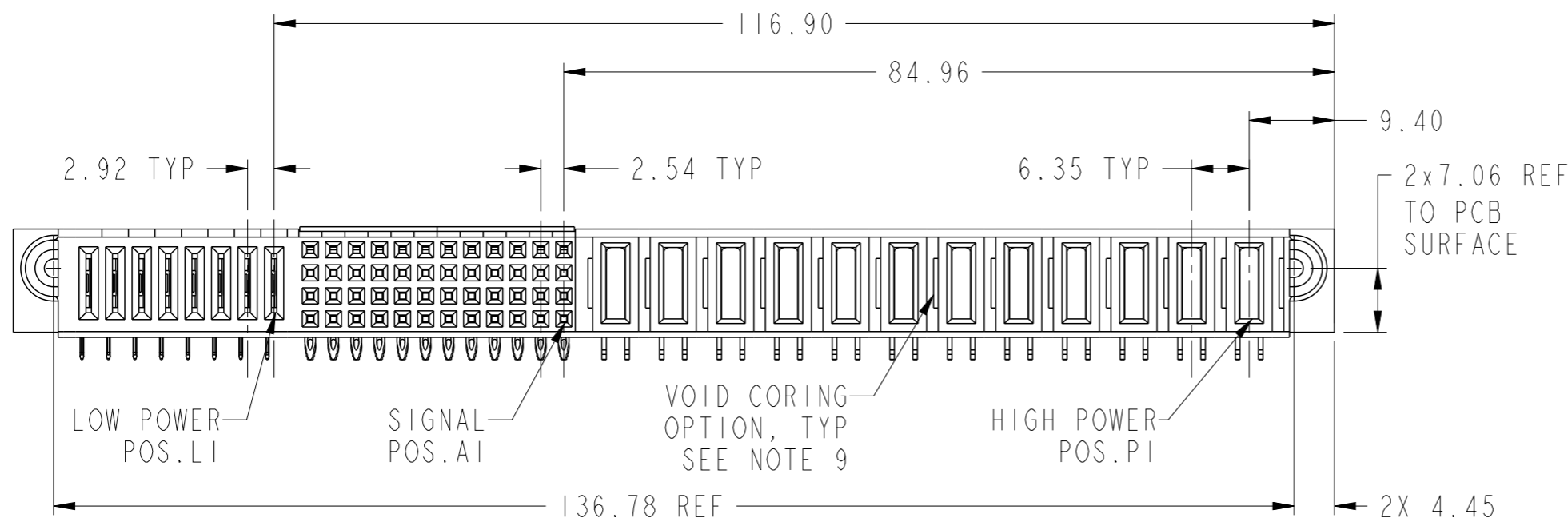
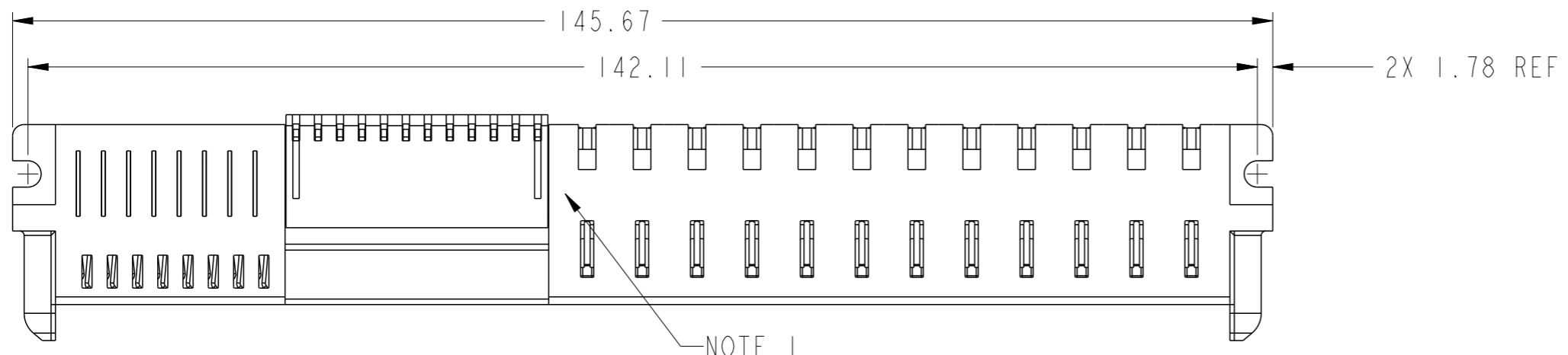


PART NUMBER 10106127-C812002LF



spec ref	*	dr	Peng-Bing Fu	2011/05/06	projection	mm	size	A3	scale	3:2	
tolerance std	ISO 406 ISO 1101	eng	Vicking Liu	2016/10/31			ecn no	ELX-DG-25114-1			
surface	linear	chr	Fancy Zhang	2016/11/02			product family	PwrBlade+	rel level	Released	
	angular	appr	Pei-Ming Zheng	2016/11/02			dwg no	10106127-C812002		rev	D
	0.X ±0.5 0.XX ±0.25 0.XXX ±0.10			12HP + 48S + 8LP RA PF RECEPTACLE		cat. no.	-	Product - Customer Drw	sheet 1 of 3		
	ISO 1302										

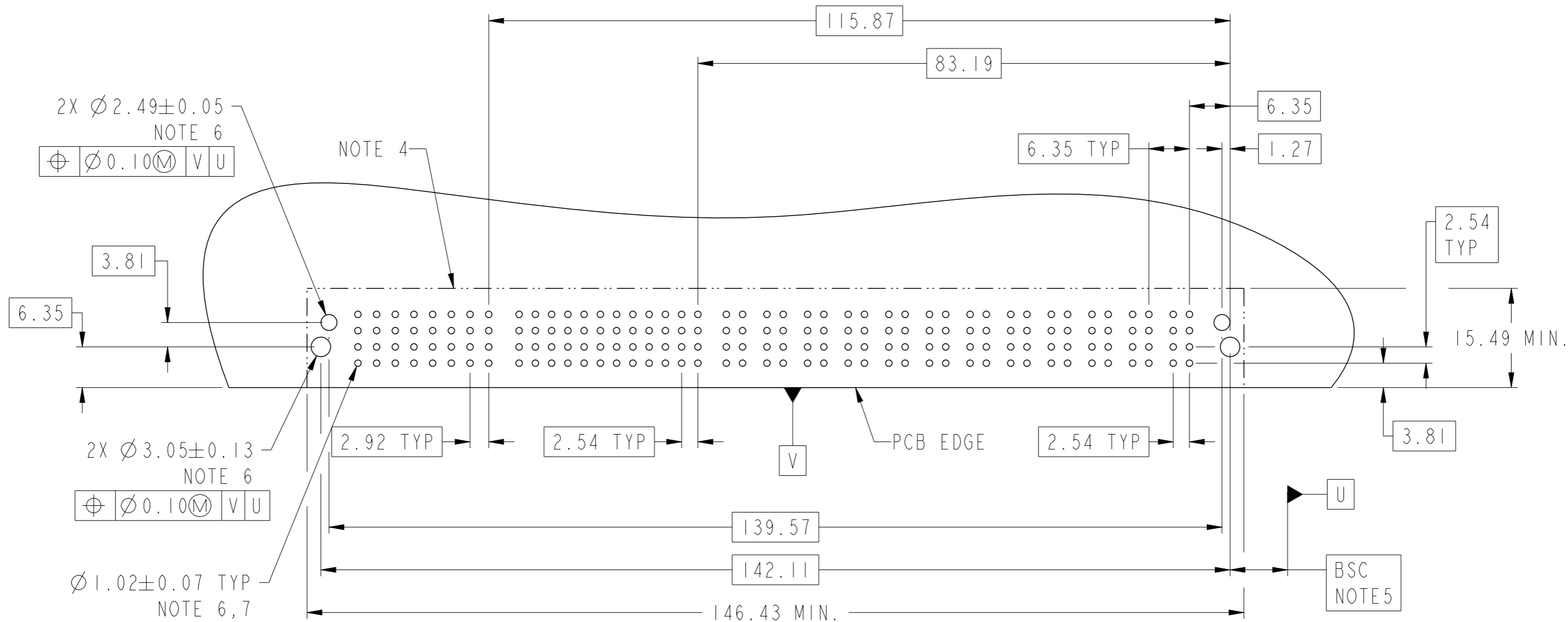
Amphenol FCI

© 2016 AFCI

PRODUCT NUMBER	ROW	LOW POWER								SIGNAL								HIGH POWER								CODE	DESCRIPTION								
		L8	L7	L6	L5	L4	L3	L2	L1	I2	I1	I0	9	8	7	6	5	4	3	2	1	PI2	PI1	PI0	P9			P8	P7	P6	P5	P4	P3	P2	PI1
10106127-C812002LF	D C B A	LT	LT	LT	LT	LT	LT	LT	LT	SD	SD	SD	SD	SD	SD	SD	SD	SD	SD	SD	SD	H	H	H	H	H	H	H	H	H	H	H	H	H	STD HIGH POWER CONTACT
										SC	SC	SC	SC	SC	SC	SC	SC	SC	SC	SC	SC													N	STD SIGNAL CONTACT, ROW A
										SB	SB	SB	SB	SB	SB	SB	SB	SB	SB	SB	SB													SB	STD SIGNAL CONTACT, ROW B
										SN	SN	SN	SN	SN	SN	SN	SN	SN	SN	SN	SN													SC	STD SIGNAL CONTACT, ROW C
										SD	SD	SD	SD	SD	SD	SD	SD	SD	SD	SD	SD													SD	STD SIGNAL CONTACT, ROW D
										LN	LN	LN	LN	LN	LN	LN	LN	LN	LN	LN	LN													LT	STD LOW POWER CONTACT

A
B
C
D

A
B
C
D



Amphenol
FCi
© 2016 AFCI

spec ref	*	dr	Peng-Bing Fu	2011/05/06	projection	mm	size	A3	scale	3:2
tolerance std	ISO 406 ISO 1101	eng	Vicking Liu	2016/10/31			ecn no	ELX-DG-25114-1	rel level	Released
TOLERANCES UNLESS OTHERWISE SPECIFIED		chr	Fancy Zhang	2016/11/02						
surface	linear	appr	Pei-Ming Zheng	2016/11/02			12HP + 48S + 8LP RA PF RECEPTACLE		dwg no	10106127-C812002
ISO 1302	angular			cat. no.	-	Product - Customer Drw		sheet 2 of 3	rev	D

A

B

C

D

A

B

C

D

NOTES:

- 1) PRODUCT MARK:
PART NUMBER AND DATE CODE TO BE MARKED ON THIS SURFACE .
THE MARK CAN BE OMITTED IF THERE IS NOT ENOUGH SPACE ON THIS SURFACE.
- 2) MATERIALS:
-HOUSING : HIGH TEMP THERMOPLASTIC WITH GLASS FIBER, UL94V-0, BLACK.
-POWER CONTACT : HIGH CONDUCTIVITY COPPER ALLOY.
-SIGNAL CONTACT : COPPER ALLOY.
- 3) PLATING SPECIFICATION : 10116351
- 4) DENOTES CONNECTOR KEEP OUT ZONE.
- 5) DATUM AND BASIC DIMENIONS ARE ESTABLISHED BY CUSTOMER.
- 6) ALL HOLE DIAMETERS ARE FINISHED HOLE SIZES.
- 7) 1.15+/-0.025MM DRILLED HOLE PLATED WITH 0.00762MM MIN SN
OVER 0.0254-0.0762MM CU PLATING TO ACHIEVE A 1.02+/-0.07MM HOLE.
- 8) THIS PRODUCT MEETS EUROPEAN UNION DIRECTIVES AND OTHER COUNTRY
REGULATIONS AS DESCRIBED IN GS-47-0004.
- 9) THE VOID CORING IN BETWEEN POWER MODULES, SIGNAL MODULES AND
END MODULES ARE OPTIONAL AND THE SHAPE MAY BE DIFFERENT FOR
OPTIMIZE THE MOLDING PROCESS. THE VOID CORING WILL NOT EFFECT
TO PRODUCT FUNCTION.
- 10) PRODUCT SPECIFICATION : GS-12-658.
APPLICATION SPECIFICATION : GS-20-141.
PRODUCT PACKAGE SPECIFICATION: GS-14-1502.

Amphenol
FCi

© 2016 AFCI

spec ref *		dr	Peng-Bing Fu	2011/05/06	projection	mm	size	A3	scale	3:2
tolerance std		eng	Vicking Liu	2016/10/31		← →	ecn no		ELX-DG-25114-1	
ISO 406 ISO 1101		chr	Fancy Zhang	2016/11/02			rel level		Released	
surface		appr	Pei-Ming Zheng	2016/11/02	product family		PwrBlade+		rev	
ISO 1302	linear	0.X		±0.5	Amphenol FCi	12HP + 48S + 8LP		dwg no		10106127-C812002
		0.XX		±0.25		RA PF RECEPTACLE		rev		D
		0.XXX		±0.10		cat. no.		-		Product - Customer Drw
angular		0°		±2°			sheet 3 of 3			