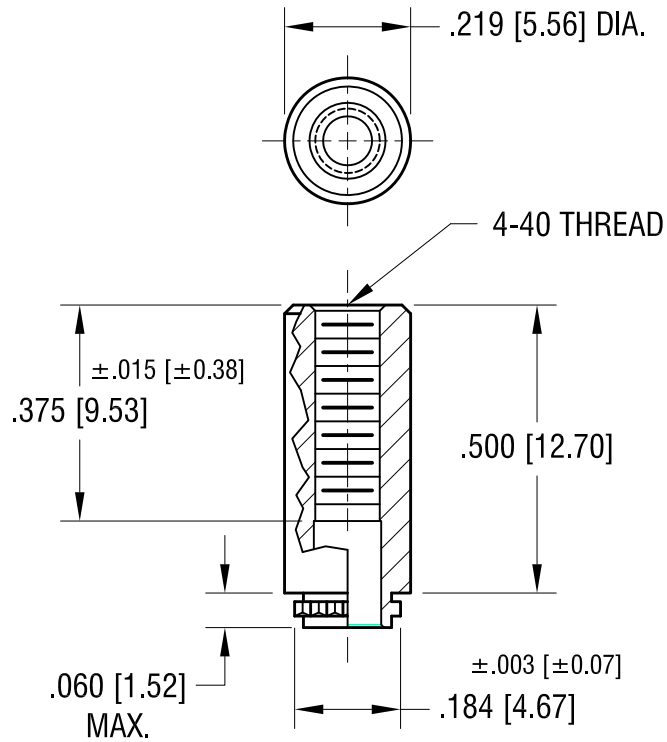


THIS DOCUMENT IS THE PROPERTY OF
KEYSTONE ELECTRONICS CORP. AND
SHALL NOT BE REPRODUCED, DISTRIBUTED
OR USED AS A BASIS FOR MANUFACTURE
WITHOUT PRIOR WRITTEN PERMISSION
FROM KEYSTONE ELECTRONICS CORP.

ACTUAL SIZE



| | | |
|----------|--------------------------|------|
| 1.22.13 | CHANGE AS PER ECN 13-003 | C |
| 12.19.05 | CHANGE AS PER ECN 05-085 | B |
| 6.19.00 | CHANGE AS PER ECN 00-054 | A |
| DATE | DESCRIPTION | REV. |

| | | | |
|---|-------------------------------------|------------------------|------------------------|
| KEYSTONE ELECTRONICS CORP. | | | |
| www.keyelco.com • ASTORIA, N.Y. 11105-2017 • Tel (718) 956-8900 | | | |
| PART NAME FORCE-FIT STANDOFF, THREADED | | | |
| MATERIAL STAINLESS STEEL | | | |
| FINISH - | | DRN BY BOONE | DATE 3.6.00 |
| | | APP'D LN | SCALE 3X |
| TOLERANCES DECIMAL ANGULAR | INCH $\pm .005$ $\pm 1^\circ$ | [MM] [± 0.15] | CODE C |
| UNLESS OTHERWISE SPECIFIED | | | DWG NO. 4865 |