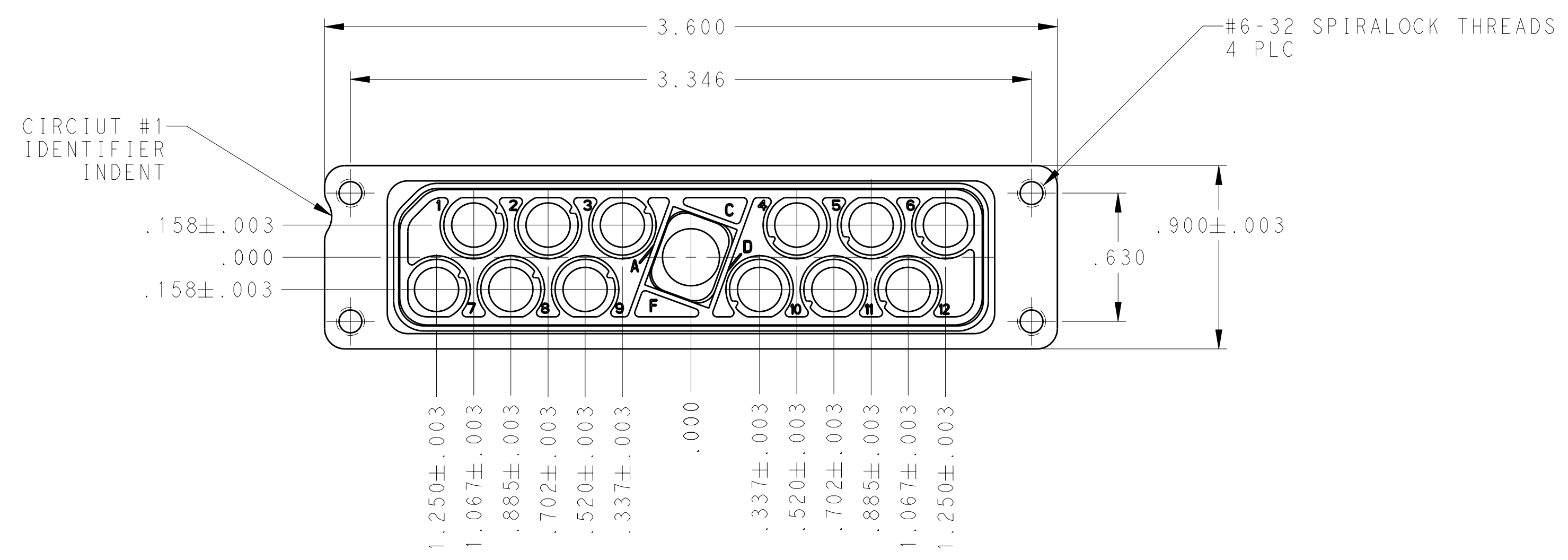
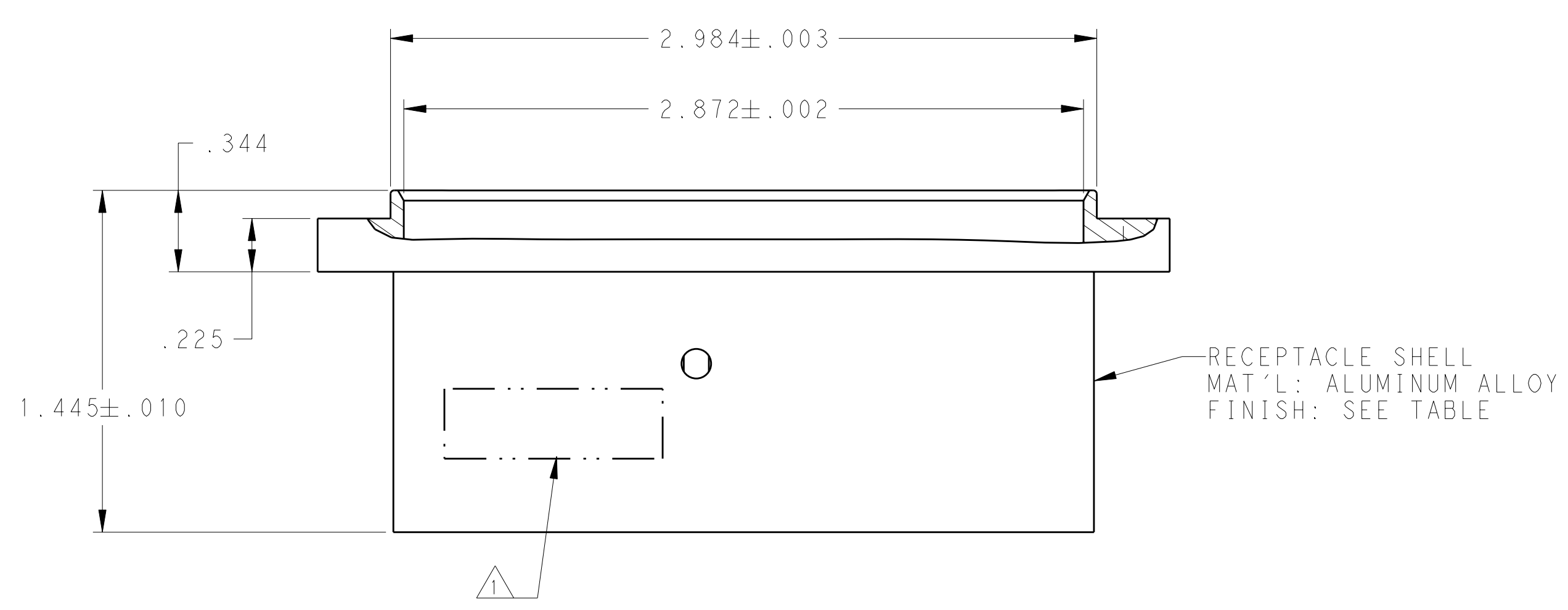


REVISONS		DATE	DWN	APVD
E	REV PER ECO 12-004214	3-8-12	CT	DM

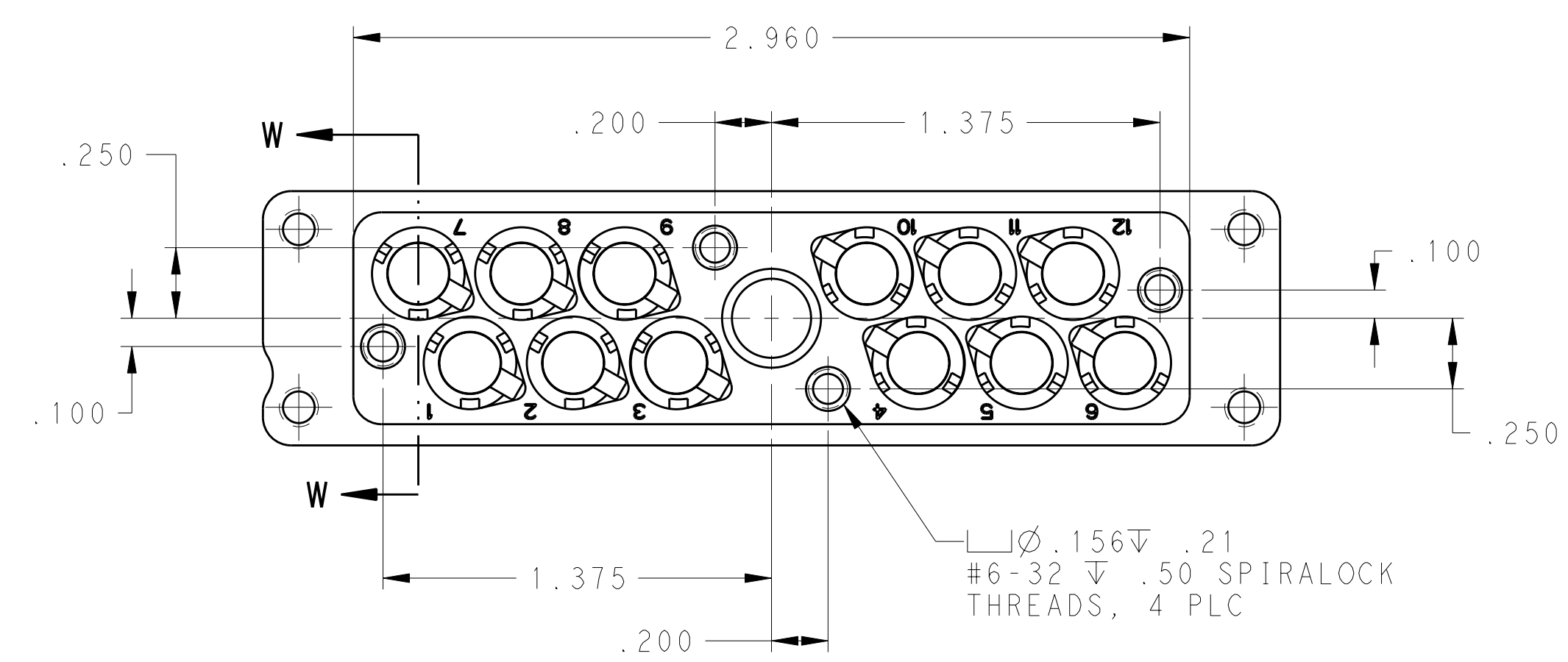


- ⚠ TE LOGO, DATE CODE AND TE OR CUSTOMER PART NUMBER (SEE TABLE) MARKED APPROX AS SHOWN ON EITHER SIDE.
- ⚠ JACKPOST KIT IS SHIPPED UNASSEMBLED. KIT IS PACKAGED IN A SEALED BAG.

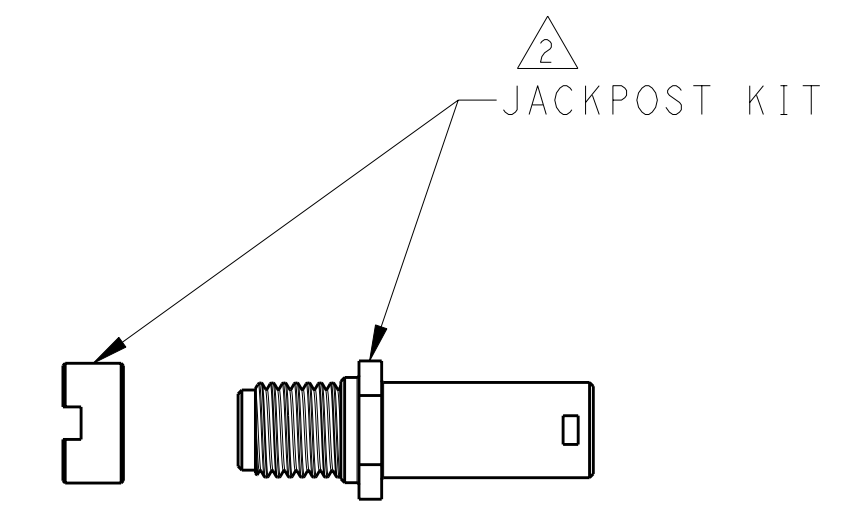
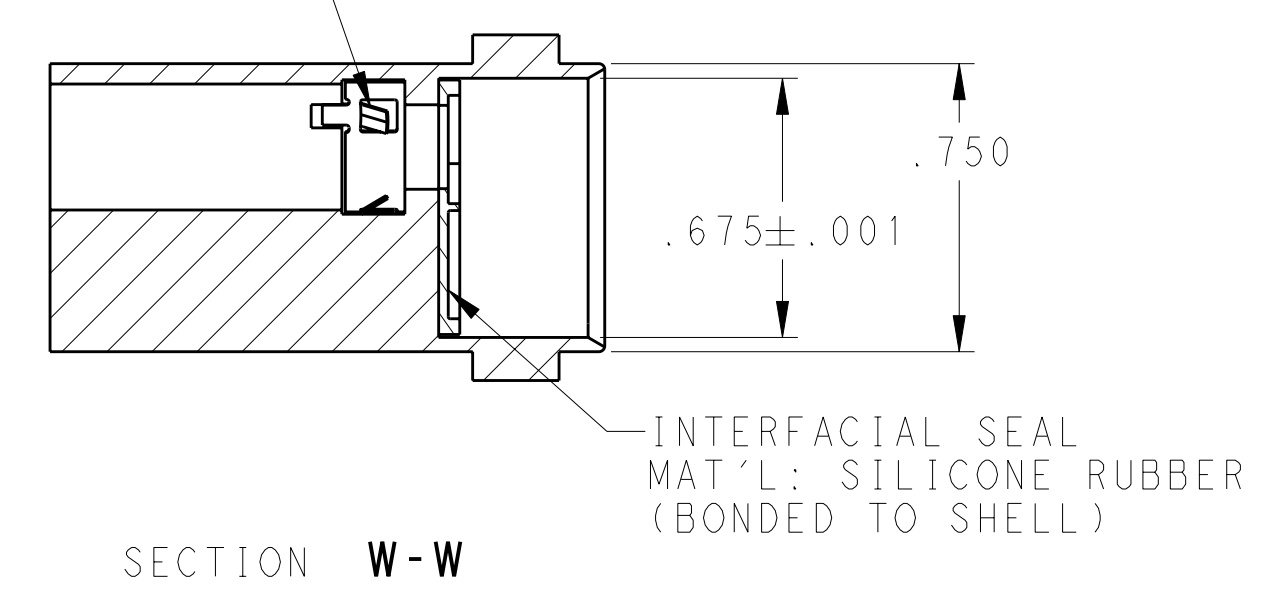


**RCPT
1604996-X
CONDUCTIVE**

DUST COVER (INSTALLED FOR SHIPPING)



RETENTION CLIP (QTY=12)
MAT'L: STAINLESS STEEL
FINISH: SILVER PLATED



SUPERSEDED BY 1604799-5

HOUSING FINISH	RECOMMENDED CONTACT WITH WIRE SEAL (NOT INCLUDED)	CUSTOMER PART NUMBER	DESCRIPTION	TE PART NO
ELECTROLESS NICKEL	1445692-4	BACC65BD12N	WITH JACKPOST KIT (FLAT POLARIZATION) (NOT INSTALLED)	1604799-8
ELECTROLESS NICKEL	1445692-3	---	WITH JACKPOST KIT (FLAT POLARIZATION) (NOT INSTALLED)	1604799-7
ELECTROLESS NICKEL	1445692-3	---	WITH JACKPOST KIT (FLAT POLARIZATION) (NOT INSTALLED)	1604799-5
BLACK ANODIZED	1445692-4	BACC65BD12A	WITH JACKPOST KIT (FLAT POLARIZATION) (NOT INSTALLED)	1604799-4

THIS DRAWING IS A CONTROLLED DOCUMENT.

DIMENSIONS: INCHES

TOLERANCES UNLESS OTHERWISE SPECIFIED:

9 PLC	±
3 PLC	±
5 PLC	±.005
4 PLC	±
ANGLES	±
FINISH	SEE CALLOUTS

MATERIAL SEE CALLOUTS

APPROVED: D. MILLER 29NOV2010

NAME: RECEPTACLE ASSY, QUADRAx, PANEL MOUNT RR/RR, 12 POSITION

SIZE: A100779 C=1604799

SCALE: 2:1 SHEET 1 OF 1 REV E