



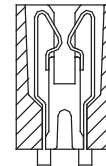
## .050" [1.27 mm] Contact Centers, .610" [15.49 mm] Insulator Height, [PCI] Dip Solder/Card Extender/SMT

Industry Standard Part

### SPECIFICATIONS

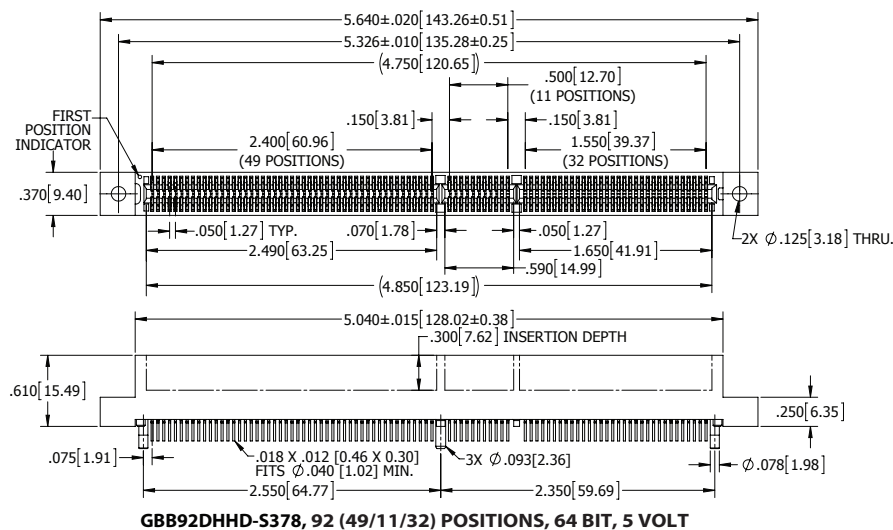
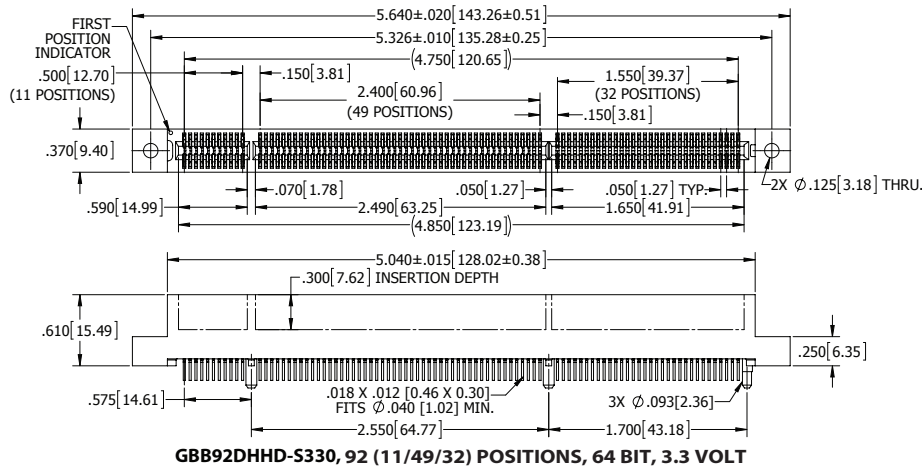
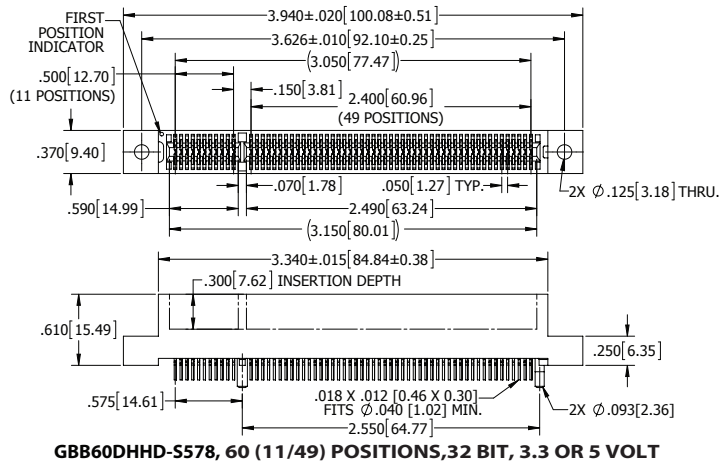
- Accommodates .062" ± .008" [1.57 mm ± 0.20 mm] PC board
- PPS or PA9T insulator
- Molded-in key available
- High reliability/high cycle hairpin bellow contacts
- 1 Amp current rating per contact for contacts fully energized
- UL Flammability Rating: 94V-0

### READOUT



DUAL (D)

### DIMENSIONS

 Dimensions in [ ] are in millimeters, all others are in inches.



**.050" [1.27 mm] Contact Centers, .610" [15.49 mm] Insulator Height, [PCI] Dip Solder/Card Extender/SMT**

Industry Standard Part

High Density Card Edge

### PART NUMBER OPTIONS

**G B B 60 D HH D - S578**

#### MATERIALS (INSULATOR/CONTACT)

- G = PA9T/Phosphor Bronze
- R = PPS/Phosphor Bronze
- J = PA9T/Beryllium Copper
- A = PPS/Beryllium Copper

Refer to Page 7 for Operating/Processing Temperatures

#### CONTACT FINISH - RoHS Compliant

All platings are Lead Free and have .000050" Nickel underplate

Contact Surface	Termination
B = .000010" Gold	.000100" Pure Tin, Matte
C = .000030" Gold	.000100" Pure Tin, Matte

#### CONTACT CENTERS

B = .050" [1.27 mm]

#### NUMBER OF CONTACT POSITIONS

- \*60 = 11/49 (32 Bit, 3.3 or 5 Volt)
- 92 = 11/49/32 (64 Bit, 3.3 Volt)
- 92 = 49/11/32 (64 Bit, 5 Volt)

#### READOUT

D = Dual

#### MODIFICATION (Consult Factory)

##### PCI WITH GUIDE POSTS

- \*-S578 = 60 (11/49) Positions (32 Bit, 3.3 or 5 Volt)
- S330 = 92 (11/49/32) Positions (64 Bit, 3.3 Volt)
- S378 = 92 (49/11/32) Positions (64 Bit, 5 Volt)

##### PCI WITHOUT GUIDE POSTS

- \*-S621 = 60 (11/49) Positions (32 Bit, 3.3 or 5 Volt)
- S329 = 92 (11/49/32) Positions (64 Bit, 3.3 Volt)
- S250 = 92 (49/11/32) Positions (64 Bit, 5 Volt)

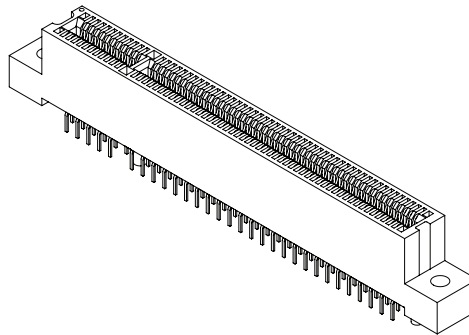
#### MOUNTING STYLE

- D = Flush Mounting
- N = No Mounting
- T = Flush Mounting With Threaded Insert
- Q = Straddle Mount
- (Card Extender Only - Consult Factory)
- R = Metal Board lock

#### TERMINATION TYPE

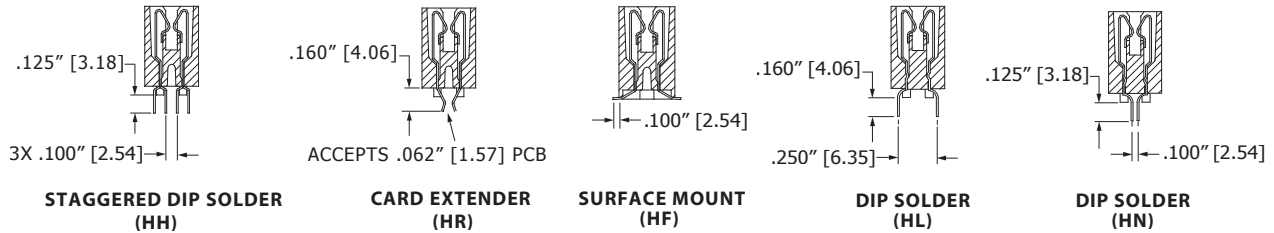
- HH = Staggered Dip Solder
- HR = Card Extender
- HF = Surface Mount
- HL = .250" [6.35 mm] X .160" [4.06 mm] Dip Solder
- HN = .125" [3.18 mm] X .100" [2.54 mm] Dip Solder

\*Turn connector or board 180° for 3.3 or 5 Volt



FOR PC BOARD LAYOUTS REFER TO [www.sullinscorp.com](http://www.sullinscorp.com)

### TERMINATION TYPE



### MOUNTING STYLE

