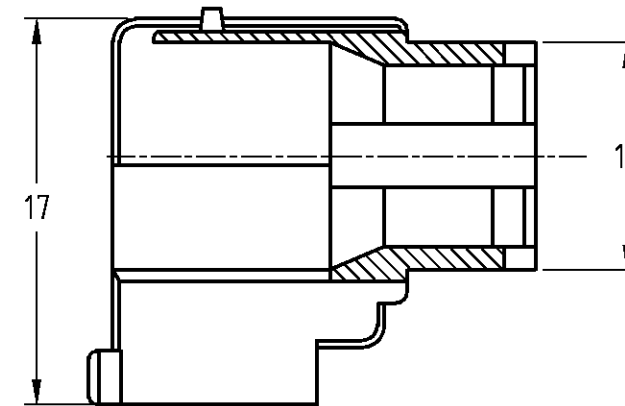
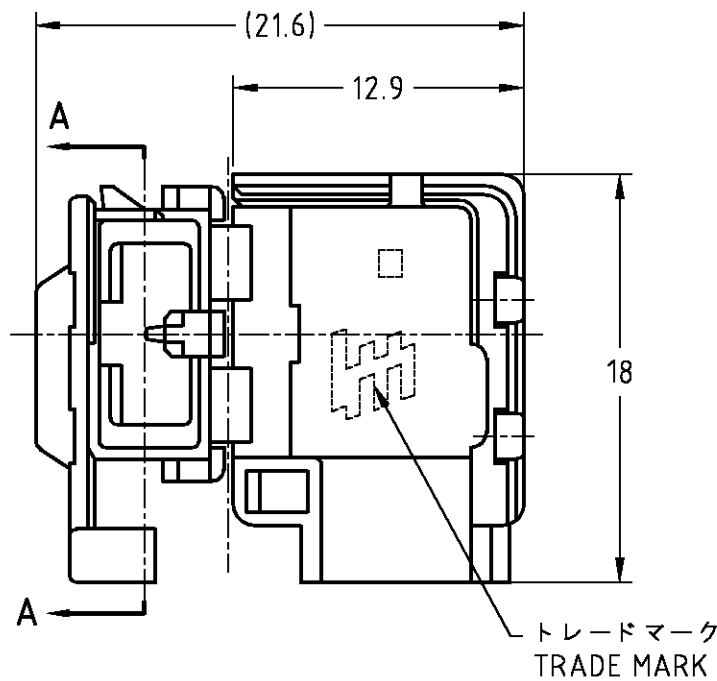
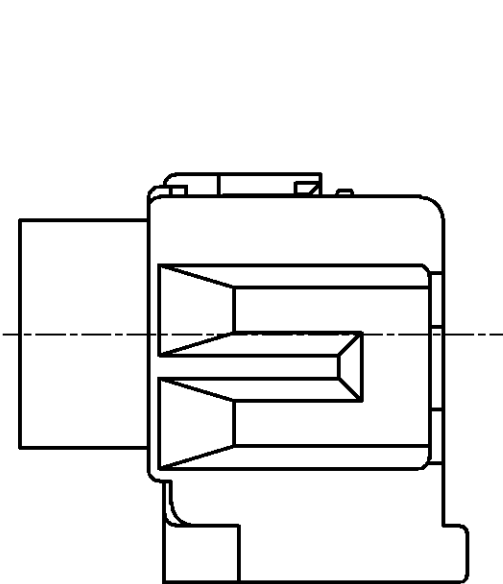
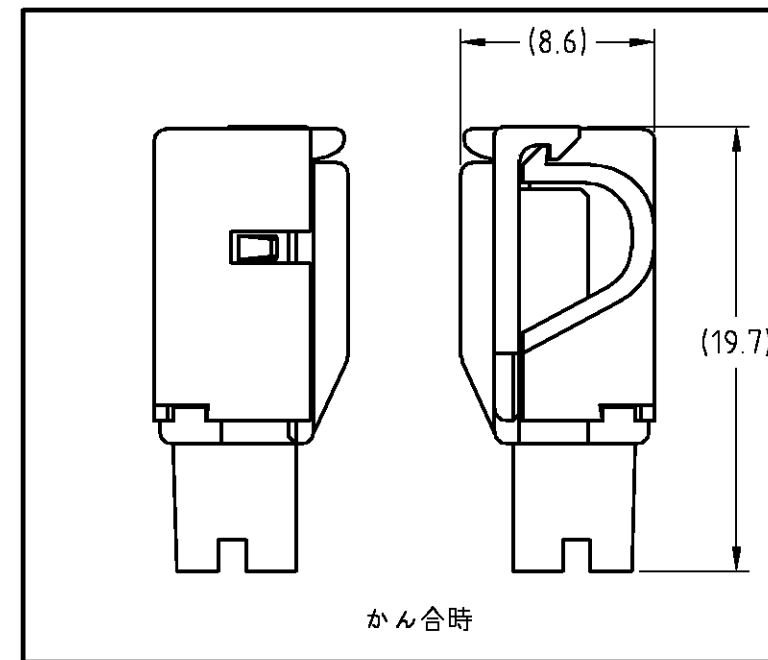
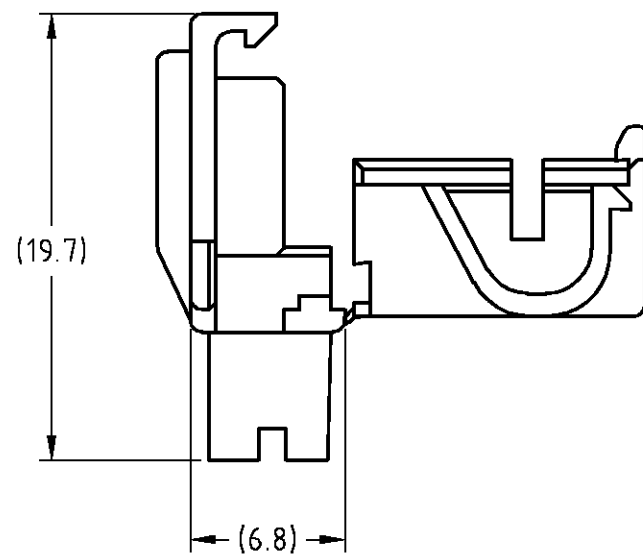


THIS DRAWING IS UNPUBLISHED. RELEASED FOR PUBLICATION
 © COPYRIGHT BY TYCO ELECTRONICS CORPORATION. ALL RIGHTS RESERVED.

LOC	DIST	REVISIONS					
J	—	P	LTR	DESCRIPTION	DATE	DWN	APVD
		B		REVISED ECR-08-004044	07MAR'08	J.S	S.M



断面A-A
SECT A-A



- 注記：
 1. 一般公差: ±0.3
 2. 適用端子型番: 175057-X

- NOTES
 1. GENERAL TOLERANCE: ±0.3
 2. APPLICABLE CONTACT PART NUMBER: 175057-X

BLACK	2013799-1
COLOR	P/N

THIS DRAWING IS A CONTROLLED DOCUMENT.		DWN J.SATO 29NOV2007	Tyco Electronics Corporation Kawasaki, Japan	
DIMENSIONS: 単位: 概 mm		CHK S.MANABE 29NOV2007	NAME 名称	
TOLERANCES UNLESS OTHERWISE SPECIFIED: 一般公差		APVD S.MANABE 29NOV2007	250 SERIES ONE TOUCH SLEEVE	
0 PLC ± 1 PLC ± 2 PLC ± 3 PLC ± 4 PLC ± ANGLES ±		PRODUCT SPEC 製品規格 108-78514	SIZE A3	
MATERIAL 材料 4/6NYLON (UL94V-0)		APPLICATION SPEC 取付適用規格	CAGE CODE 00779	DRAWING NO 番号 C-2013799
FINISH 仕上		WEIGHT	RESTRICTED TO	—
CUSTOMER DRAWING		SCALE 尺度 3:1	SHEET 1 OF 1	REV B