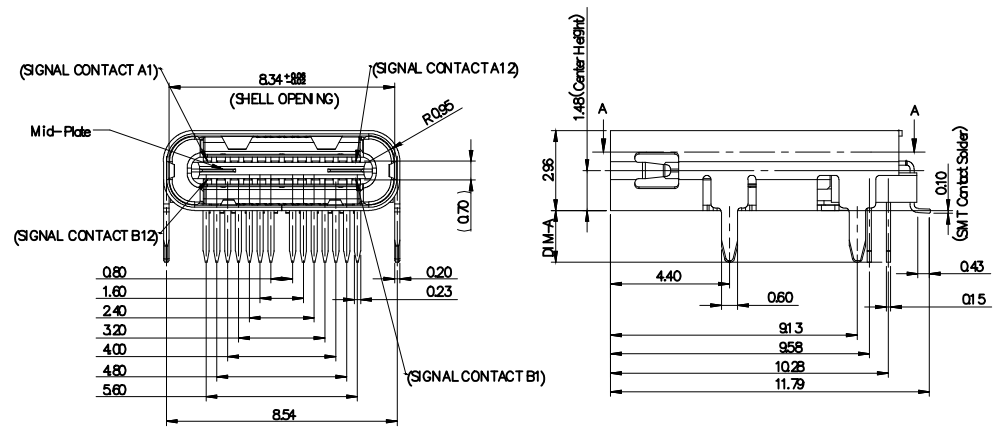


Notes:

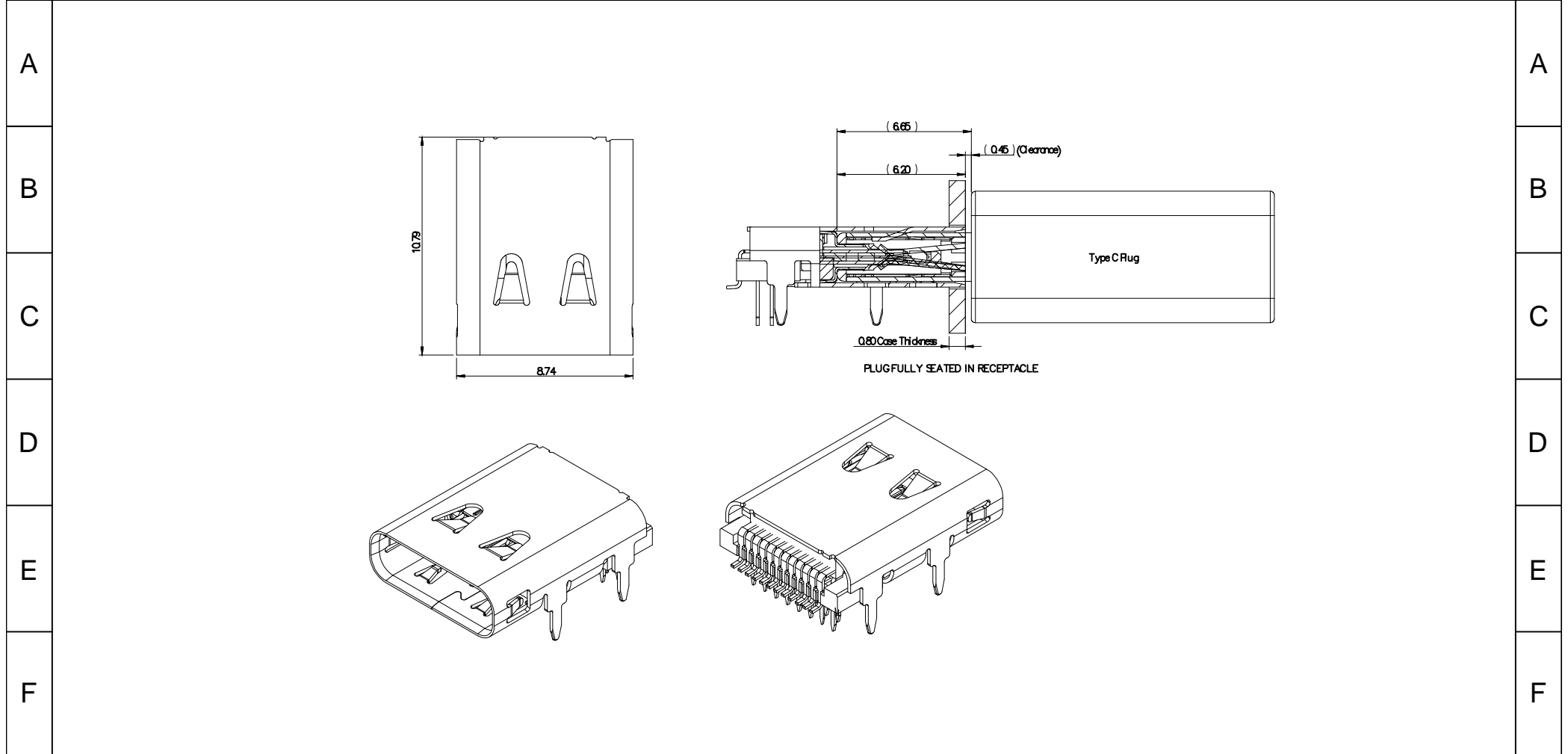
- SPECIFICATION
 MATERIAL
 ② Insulator: Thermoplastic, Black, UL94V-0
 Contacts: BRASS
 Shell: Stainless Steel
 CONTACT PLATING
 Underplate: 80u" ~160u" Nickel
 Contact area: 30u" Pd-Ni+2u" Selective gold,
 Solder tails area: 100u" ~200u" Tin (Lead Free)
 ELECTRICAL
 Operation voltage: 20 V
 Current rating: 5 Amps max.
 Insulation resistance: 100 Mohms min @ 100 VDC
 Dielectric withstanding voltage: 100 VAC / minute
 Temperature range: -40°C TO +105°C
 Mating cycles: 10,000 insertions
 AUSB1-DFN-PTP3:Tray
 ③ AUSB1-DFN-PTR3:Tape&Reel. 700Pcs/Reel



RoHS compliant
 Unit: mm

Scale	Free					Date	Name	Customer-No.	
TOLERANCE		③	Change the packing quantities	21.09.2017	Fred	Drawn	30.10.2014	Winnie	
X.	±0.50	②	Add flammability class of the insulator	18.04.2017	Winnie	Approved	21.09.2017	Winnie	
X.X	±0.30	②	Add flammability class of the insulator	18.04.2017	Winnie				
X.XX	±0.20	②	Add flammability class of the insulator	18.04.2017	Winnie				
DIM	TOL	①	Add the detail packing quantities	22.04.2016	Winnie				
X.°	±2°	①	Drawn	30.10.2015	Winnie				
Angle	TOL	Id.	Modification	Date	Name			Drawing-No. ASS 7048 CO	rev03
								Replace	Sheet 1/3

	1	2	3	4	5	6	7	
--	---	---	---	---	---	---	---	--



RoHS compliant
Unit: mm

Scale	Free					Date	Name	Customer-No.
TOLERANCE		③	Change the packing quantities	21.09.2017		Drawn	30.10.2014	Winnie
X.	±0.50					Approved	21.09.2017	Winnie
X.X	±0.30							ASSMANN WSW-No. AUSB1-DFN-PTx3
X.XX	±0.20	②	Add flammability class of the insulator	18.04.2017	Winnie			Drawing-No.
DIM	TOL	①	Add the detail packing quantities	22.04.2016	Winnie	ASSMANN WSW components		ASS 7048 CO rev03
X.°	±2°	①	Drawn	30.10.2015	Winnie			
Angle	TOL	Id.	Modification	Date	Name	Replace	Sheet 2/3	

	1	2	3	4	5	6	7	SV3725 CON0735
--	---	---	---	---	---	---	---	-------------------

1

2

3

4

5

6

7

A

B

C

D

E

F

A

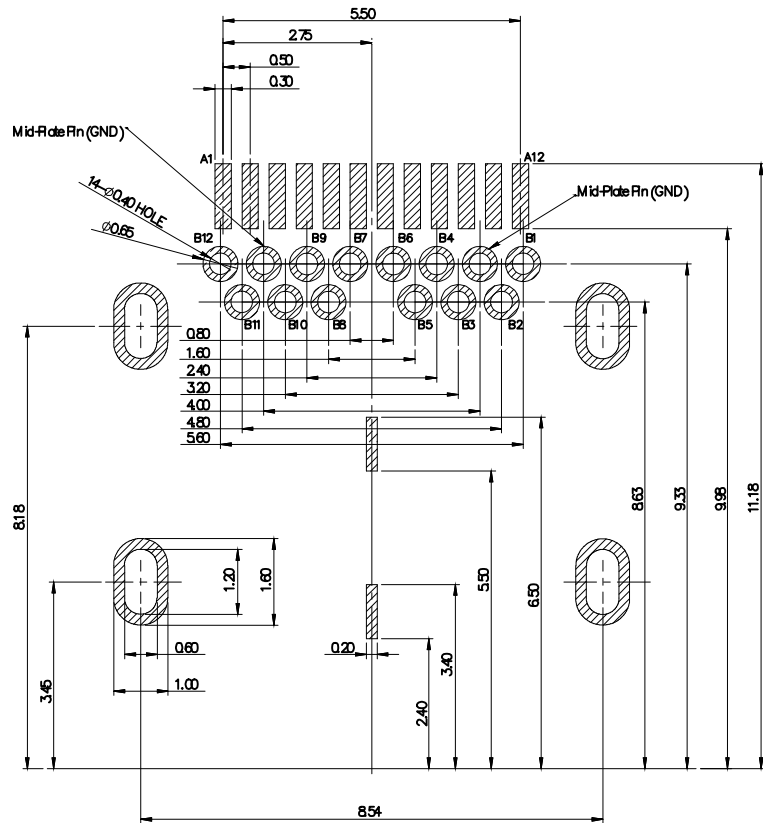
B

C

D

E

F



USB TYPE -C Pin Assignments

RnNumber	Signal Name	Pin Number	Signal Name
A1	GND	B1 2	GND
A2	SSTXp1	B1 1	SSRXp1
A3	SSTXn1	B1 0	SSRXn1
A4	VBUS	B9	VBUS
A5	CC1	B8	SBU2
A6	Dp1	B7	Dn2
A7	Dn1	B6	Dp2
A8	SBU1	B5	CC2
A9	VBUS	B4	VBUS
A1 0	SSRXn 2	B3	SSTXn2
A1 1	SSRXp 2	B2	SSTXp2
A1 2	GND	B1	GND

Recommended PCB Layout
Tolerance ± 0.05
PCB Thickness=1.00 For Dim-A 1.50 solder Tail

RoHS compliant
Unit: mm

Scale	Free				Date	Name	Customer-No.	
TOLERANCE		③	Change the packing quantities	21.09.2017	Drawn	30.10.2014	Winnie	
X.	± 0.50				Approved	21.09.2017	Winnie	
X.X	± 0.30						ASSMANN WSW-No. AUSB1-DFN-PTx3	
X.XX	± 0.20	②	Add flammability class of the insulator	18.04.2017	Winnie		Drawing-No.	
DIM	TOL	①	Add the detail packing quantities	22.04.2016	Winnie	ASSMANN WSW components	ASS 7048 CO	rev03
X.°	$\pm 2^\circ$	①	Drawn	30.10.2015	Winnie		Replace	Sheet 3/3
Angle	TOL	Id.	Modification	Date	Name			

1

2

3

4

5

6

7

SV3725
CON0735