

IN LINE RECEPTACLE WITH BEND RELIEF

PL C 3 X X X X X X X

Plastic latch

STYLE C3=In-line-Receptacle with cable collet and nut for fitting a bend relief
---SOLDER CONTACT

OUTER SHELL MATERIAL
G=GREY PSU (STANDARD) B=BLACK PSU
F=BLACK P=GREY PEI PEI

BACK NUT COLOR
0=BLACK 1=WHITE 2=RED
4=YELLOW 5=GREEN
6=BLUE 8=GREY

CONTACT PLATING
2= GOLD PLATING 20u"

NUMBER OF CONTACTS

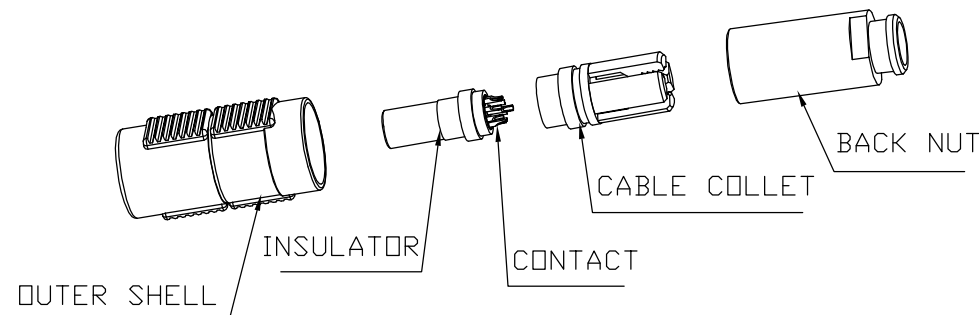
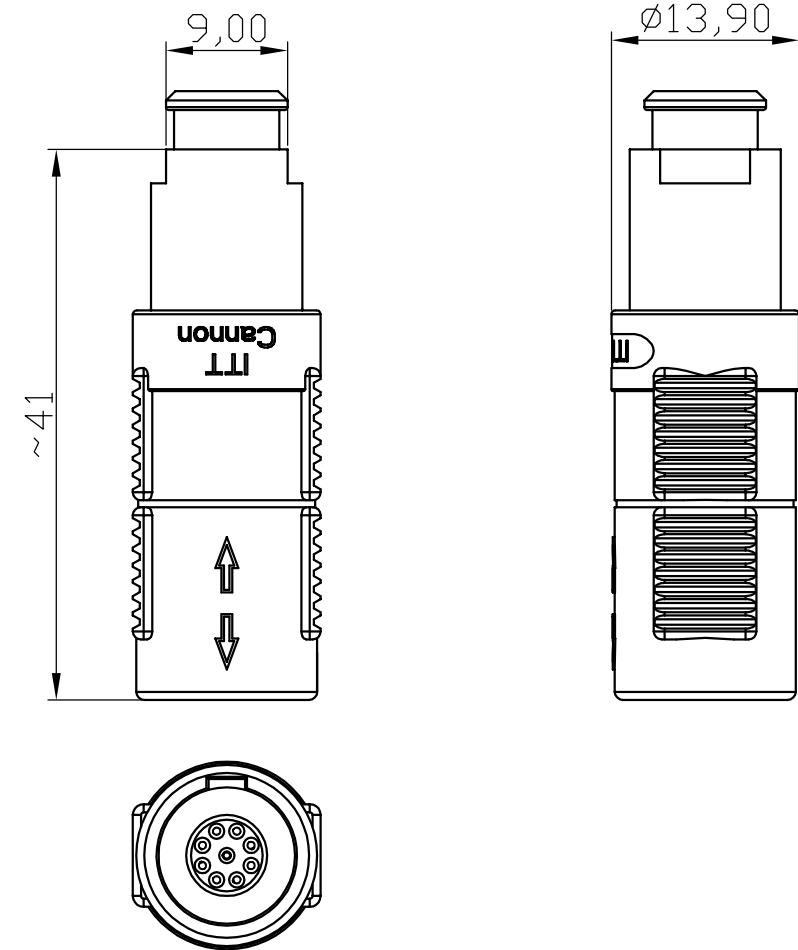
02=2 PIN 04=4 PIN
03=3 PIN 05=5 PIN
06=6 PIN 08=8 PIN
07=7 PIN 09=9 PIN
10=10 PIN 14=14 PIN

CODING

0=0° (STANDARD)
A=40° C=60°
E=80° H=170° J=205°



CABLE COLLET

1= Ø3.9mm (CABLE Ø=2.7~3.9mm)
2= Ø5.2mm (CABLE Ø=4.0~5.2mm)
3= Ø6.5mm (CABLE Ø=5.3~6.5mm)



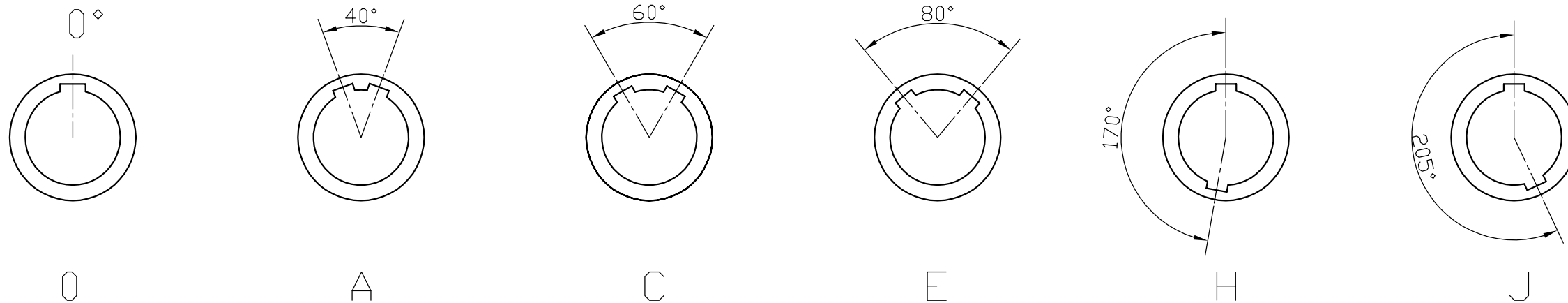
NOTES :

1. MATERIAL
HOUSING : HIGH TEMPERATURE PLASTIC,UL94V-0
INSERT : HIGH TEMPERATURE PLASTIC,UL94V-0
CONTACT : COOPER ALLOY
CABLE COLLET : HIGH TEMPERATURE PLASTIC,UL94V-0
BACK NUT : HIGH TEMPERATURE PLASTIC,UL94V-0
2. NUMBER OF CONTACT : 2 TO 14 POSITION
3. ALL DIMENSIONS ARE IN MILLIMETERS.
4. RoHS DIRECTIVE COMPLANCE
5. BEND RELIEF ORDERED IN SEPERATE

DO NOT SCALE			Total Volume =	Total Surface Area =	PDM:	A3/B
Drawn	DANIEL	08-May-15	Material:	 Surface Roughness  Cannon Electronics (SZ) Co. Ltd.	Toupandun Industrial Area, Jinda Cheng, Xiner Village, Shajing Town, Baoan District, Shenzhen City PRC 518125	Pro/E Generic Model Title Plastic push pull In-Line-Receptacle with cable collet and nut
Checked	HEROD	08-May-15				
Engineer.	DANIEL	08-May-15				
Manufact.						
Assembly						
Quality			Treatment:	Ref:	Scale 2:1	Sheet 1 of 2
Approvals	Sign	Date	Dimensions in:	Cust Spec No:		Drwg. No. CU-132042
Iss/Rev	DCN/ECN or Description	Date	This is issued in strict confidence on condition that it is not used as a basis for manufacture or sale and that it is not copied, reprinted or disclosed to a third party either wholly or in part without the prior written consent of ITT Industries. C 08-May-15			

VIEW FROM TERMINATION SIDE FEMALE PART										
	POSITIONS	2 PIN	3 PIN	4 PIN	5 PIN	6 PIN	7 PIN	8 PIN	9 PIN	10 PIN

CODING (RECEPTACLE FRONT VIEW):



DO NOT SCALE			Total Volume =	Total Surface Area =	PDM:	A3/B
Drawn	DANIEL	08-May-15	Material:	 ITT Industries Cannon Electronics (SZ) Co. Ltd. Toupandun Industrial Area, Jinda Cheng, Xiner Village, Shajing Town, Baoan District, Shenzhen City PRC 518125	Pro/E Generic Model	
Checked	HEROD	08-May-15			Title	
Engineer.	DANIEL	08-May-15			Plastic push pull In-Line-Receptacle with cable collet and nut	
Manufact.						
Assembly						
Quality			Treatment:	Ref:	Scale 2:1	Sheet 2 of 2
Approvals	Sign	Date	Dimensions in:	Cust Spec No:		
Iss/Rev	DCN/ECN or Description		Date		Drwg. No. CU-132042	Iss/rev A

This is issued in strict confidence on condition that it is not used as a basis for manufacture or sale and that it is not copied, reprinted or disclosed to a third party either wholly or in part without the prior written consent of ITT Industries. C 08-May-15