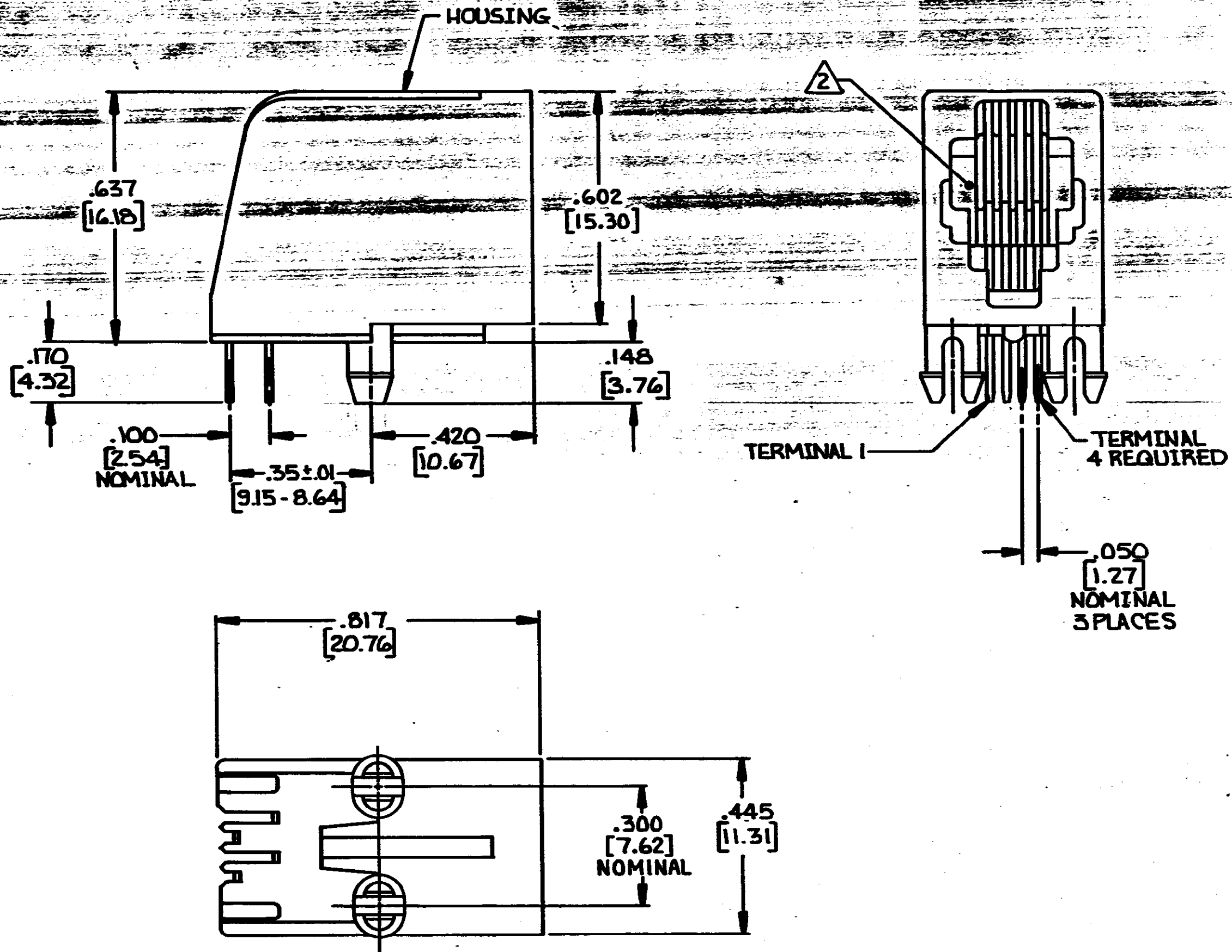
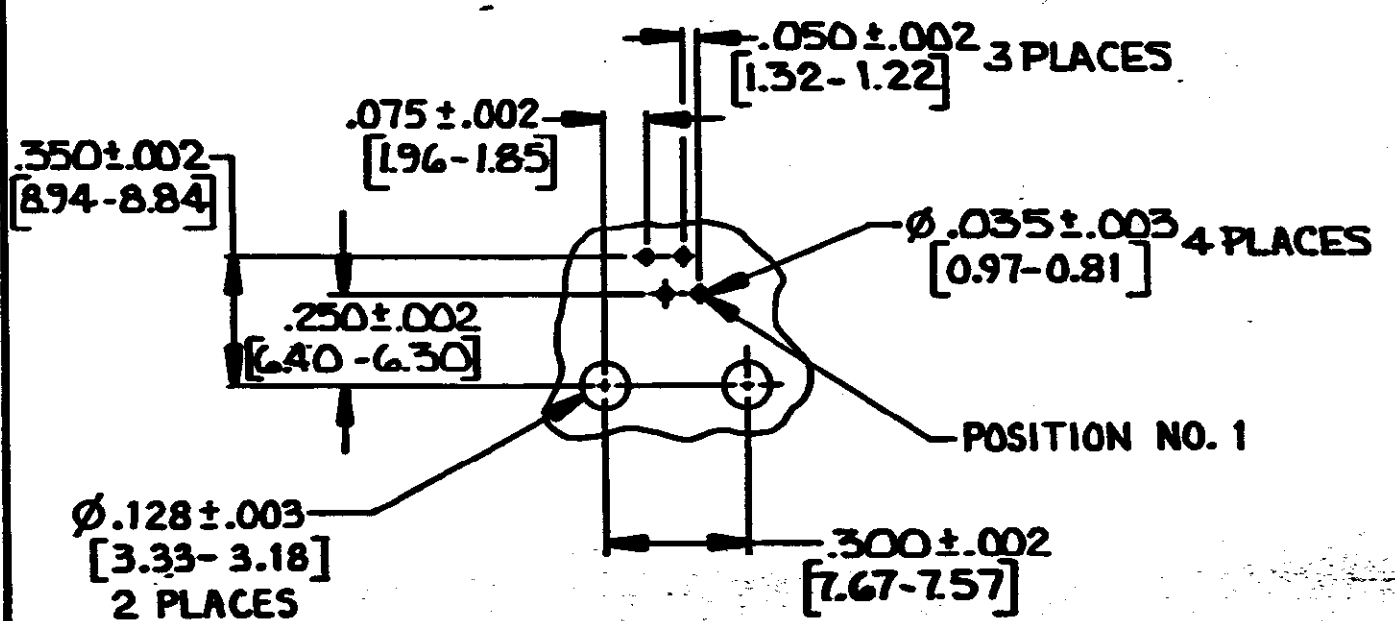


THIS DRAWING IS UNPUBLISHED. RELEASED FOR PUBLICATION .19
 © COPYRIGHT 19 BY AMP INCORPORATED. ALL INTERNATIONAL RIGHTS RESERVED.

LOC	DIST	P	F	ZONE	LTR	REVISIONS	DATE	APPD
AA	22					A REVISED; ECN AA-7286	12-12-90	LWS AH



- 1 MATERIAL: HOUSING - PBT POLYESTER, BLACK. TERMINALS - .014 [0.36] THICK PHOS-BRONZE PLATED WITH .000050 [1.27μm] THICK HARD GOLD IN LOCALIZED GOLD PLATE AREA AND .000150 [3.81μm] THICK TIN LEAD IN SOLDER AREA OVER .000050 [1.27μm] THICK NICKEL UNDERPLATE.
- 2 CAVITY CONFORMS TO FCC RULES AND REGULATIONS PART 68 AND REA BULLETIN 345-81 PE 76 SPECIFICATION FOR MODULAR TELEPHONE HARDWARE.
- 3 ALL DIMENSIONS SHOWN ARE MAXIMUM UNLESS OTHERWISE SPECIFIED.
- 4 DIMENSIONS SHOWN IN BRACKETS [] ARE IN MILLIMETERS.



SUGGESTED PRINTED CIRCUIT BOARD MOUNTING HOLE LAYOUT
 VIEW SHOWN AS CIRCUIT SIDE OF BOARD
 SCALE 2:1

DO NOT SCALE PRINT. UNLESS SPECIFIED DIMENSIONS IN INCHES [mm]		DR D. Bucher 3-20-90		555980-1	
TOLERANCES ON:		CHK A. Holt 3-30-90		PART NO	
2 PLC DEC ±		APPD H. Spay 4-2-90		AMP AMP INCORPORATED Merrillburg, Pa. 17105	
3 PLC DEC ±		APPD O. B. Williams 4-2-90		NAME	
ANGLES ±		PRODUCT SPEC		MODULAR JACK ASSEMBLY, SIDE ENTRY, 4 POSITION, FLANGELESS WITHOUT PANEL STOPS	
MATERIAL		108-1163		SIZE	
FINISH		APPLICATION SPEC		FSC# NO	
		114-2048		C 00779	
		WEIGHT		DRAWING NO	
				555980	
		SCALE 4:1		SHEET 1 OF 1	