

4

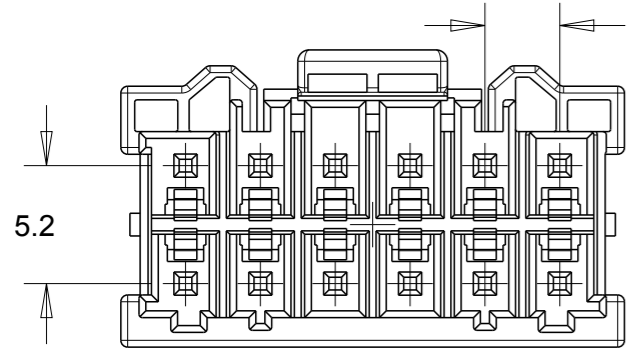
3

2

1

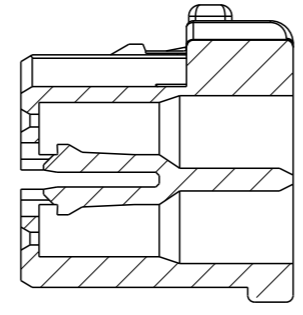
THIS DRAWING IS UNPUBLISHED. RELEASED FOR PUBLICATION 20
 © COPYRIGHT 20 BY - ALL RIGHTS RESERVED.

LOC	DIST	REVISIONS					
		P	LTR	DESCRIPTION	DATE	DWN	APVD
-	-	C1		ECR-15-006845	04MAY2015	A.Q	D.Z

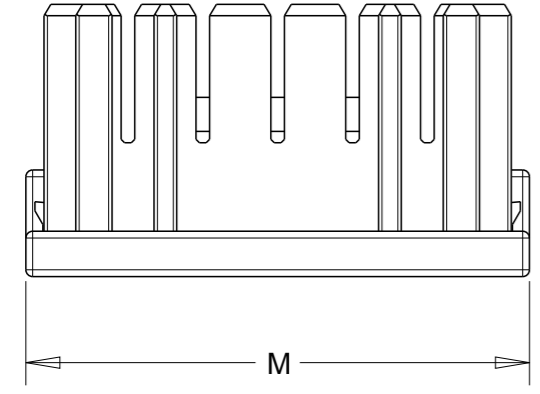


PITCH 3.3

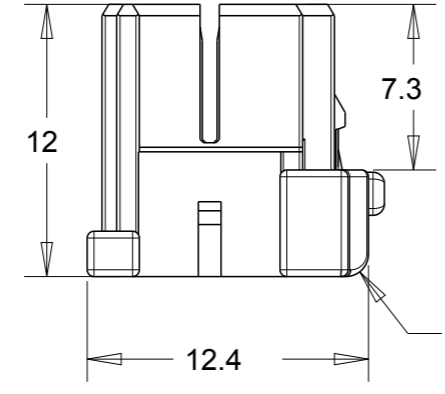
5.2



SECTION A-A

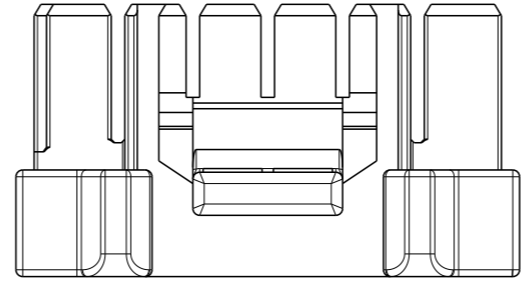


M



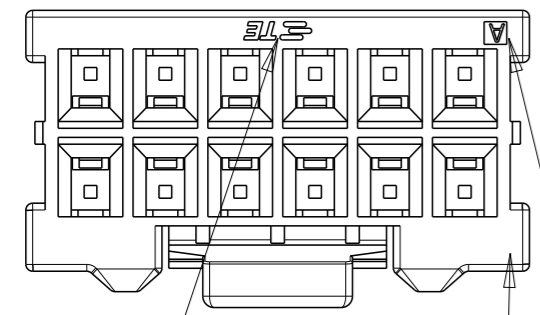
7.3

R1



NOTES:


- 1 MATERIAL: PA 66 GLASS FILLED UL94 V-0
- 2 MATING HEADER ASSEMBLY SEE TABLE
- 3. MATING REC CONTACT 1983780-1



TRADE MARK

CIRCUIT NO.

CAVITY MARK

THIS DRAWING IS A CONTROLLED DOCUMENT.		DWN HJ.Z 08NOV2013	 TE Connectivity NAME NEXT GENERATION G13.3 PLUG HOUSING 2ROW				
DIMENSIONS: mm		CHK TIM.D 08NOV2013					
TOLERANCES UNLESS OTHERWISE SPECIFIED:		APVD YH.MAO 08NOV2013					
0 PLC ±- 1 PLC ±0.5 2 PLC ±0.13 3 PLC ±- 4 PLC ±- ANGLES ±- FINISH -		PRODUCT SPEC 108-106094					
MATERIAL 1		APPLICATION SPEC 114-106094	SIZE A3	CAGE CODE 00779	DRAWING NO C-1971905	RESTRICTED TO -	
Customer Drawing			WEIGHT -	SCALE -	SHEET 1	OF 3	REV C1

P/N	COLOR	KEYING	M	POS	P/N
4-1971906-7	YELLOW	D	25.5	14	4-1971905-7
3-1971906-7	RED	C			3-1971905-7
2-1971906-7 6-1971906-7	BLUE	B			2-1971905-7
1-1971906-7 5-1971906-7	NATURAL	A	22.2	12	1-1971905-7
4-1971906-6	YELLOW	D			4-1971905-6
3-1971906-6	RED	C			3-1971905-6
2-1971906-6	BLUE	B	18.9	10	2-1971905-6
1-1971906-6	NATURAL	A			1-1971905-6
4-1971906-5	YELLOW	D			4-1971905-5
3-1971906-5	RED	C	15.6	8	3-1971905-5
2-1971906-5	BLUE	B			2-1971905-5
1-1971906-5	NATURAL	A			1-1971905-5
4-1971906-4	YELLOW	D	12.3	6	4-1971905-4
3-1971906-4	RED	C			3-1971905-4
2-1971906-4	BLUE	B			2-1971905-4
1-1971906-4	NATURAL	A	9	4	1-1971905-4
4-1971906-3	YELLOW	D			4-1971905-3
3-1971906-3	RED	C			3-1971905-3
2-1971906-3	BLUE	B	9	4	2-1971905-3
1-1971906-3	NATURAL	A			1-1971905-3
4-1971906-2	YELLOW	D			4-1971905-2
3-1971906-2	RED	C	9	4	3-1971905-2
2-1971906-2	BLUE	B			2-1971905-2
1-1971906-2	NATURAL	A			1-1971905-2
MATING CONN P/N	COLOR	KEYING	M	POS	P/N

THIS DRAWING IS UNPUBLISHED.

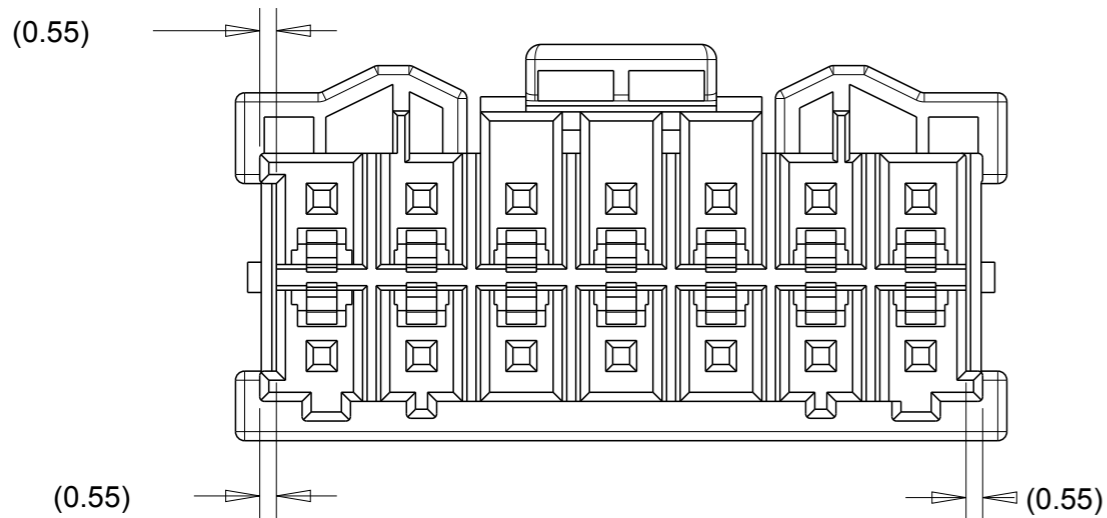
RELEASED FOR PUBLICATION

20

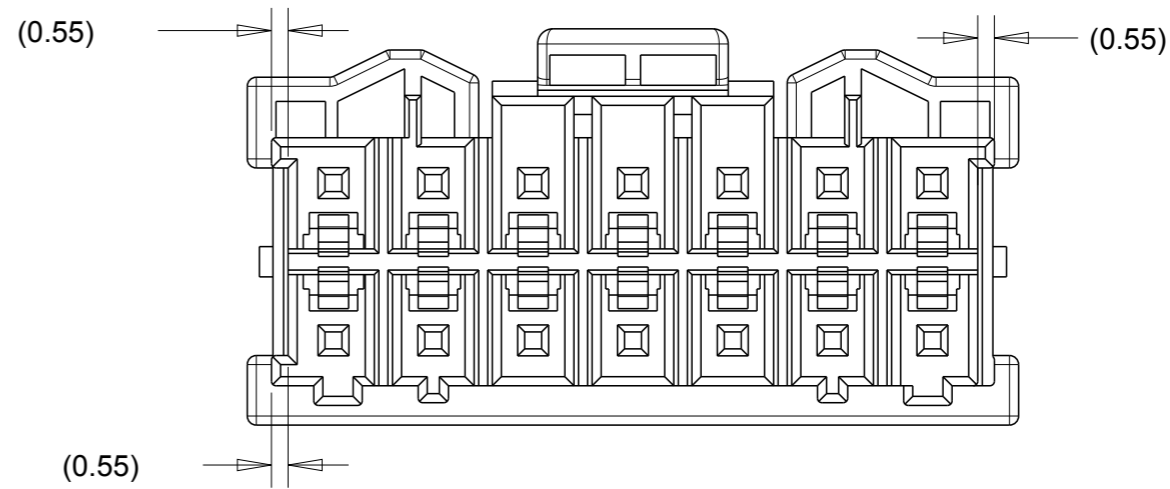
© COPYRIGHT 20 BY - ALL RIGHTS RESERVED.

LOC	DIST	REVISIONS					
		P	LTR	DESCRIPTION	DATE	DWN	APVD
-	-	-	-	SEE SHEET 1	-	-	-

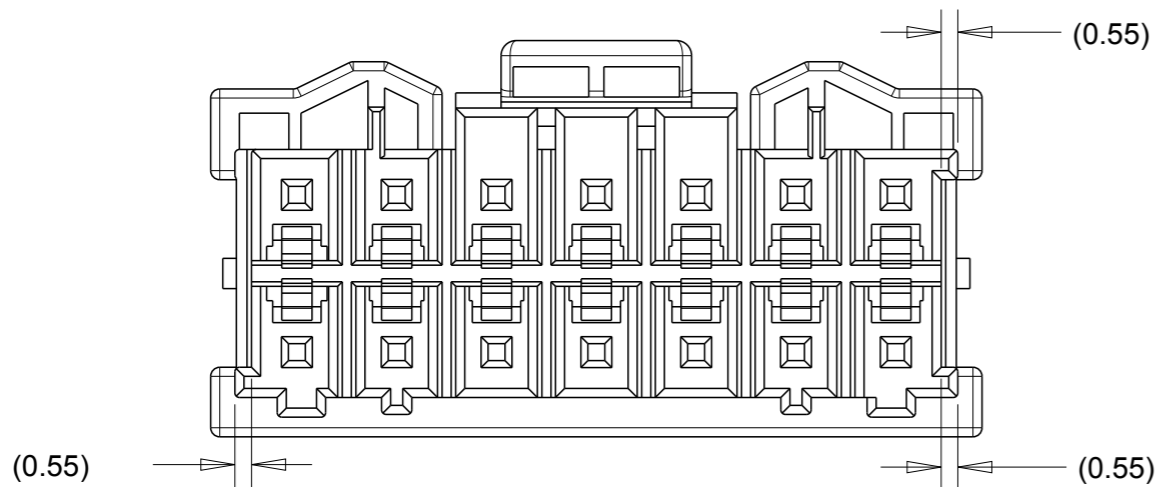
KEYING FEATURE SHOWN BY *-1971905-7



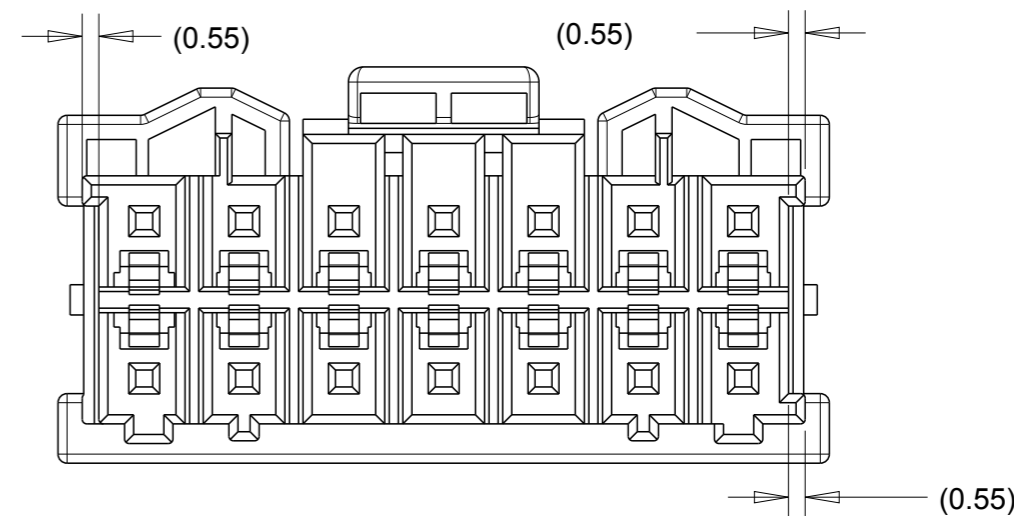
KEYING A




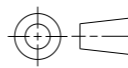
KEYING B



KEYING C



KEYING D

THIS DRAWING IS A CONTROLLED DOCUMENT.		DWN HJ.Z	08NOV2013	 TE Connectivity	NAME NEXT GENERATION G13.3 PLUG HOUSING 2ROW
DIMENSIONS: mm		CHK TIM.D	08NOV2013		
		APVD YH.MAO	08NOV2013		
TOLERANCES UNLESS OTHERWISE SPECIFIED:		PRODUCT SPEC 108-106094			
0 PLC ±- 1 PLC ±0.5 2 PLC ±0.13 3 PLC ± 4 PLC ± ANGLES ± ±-		APPLICATION SPEC 114-106094		SIZE A3	CAGE CODE 00779
MATERIAL -		FINISH -	WEIGHT -	DRAWING NO C-1971905	RESTRICTED TO -
Customer Drawing				SCALE -	SHEET 2 OF 3
				REV C1	

THIS DRAWING IS UNPUBLISHED.

RELEASED FOR PUBLICATION

20

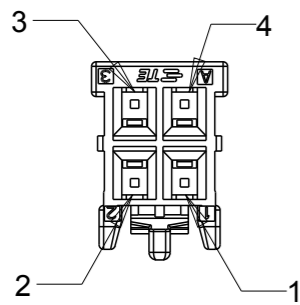
© COPYRIGHT 20 BY -

ALL RIGHTS RESERVED.

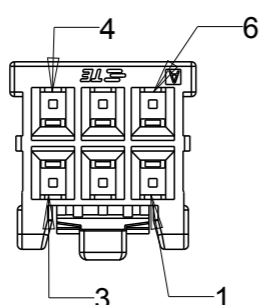
LOC	DIST	REVISIONS					
		P	LTR	DESCRIPTION	DATE	DWN	APVD
-	-	-	-	SEE SHEET 1	-	-	-

CIRCUIT NUMBER SHOWN FOR ALL P/N

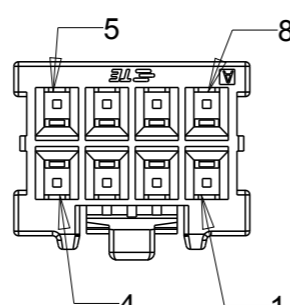
1-1971905-2 SHOWN



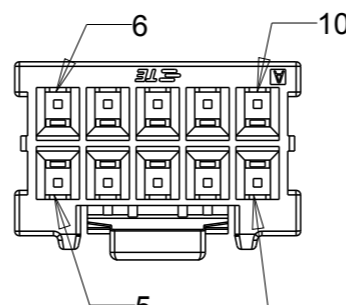
1-1971905-3 SHOWN



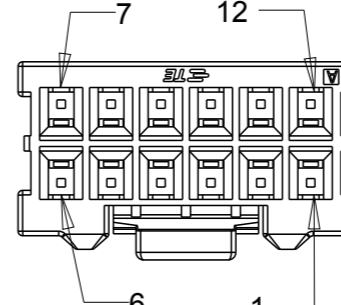
1-1971905-4 SHOWN



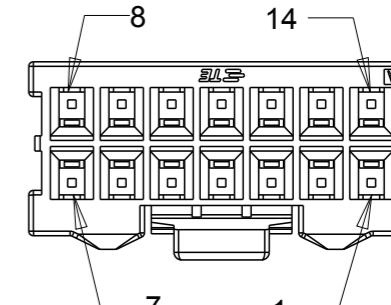
1-1971905-5 SHOWN



1-1971905-6 SHOWN



1-1971905-7 SHOWN



THIS DRAWING IS A CONTROLLED DOCUMENT.		DWN ANNIE QIAN 04MAY2015		
		CHK ANNIE QIAN 04MAY2015		
DIMENSIONS: mm		APVD DANIEL ZHANG 04MAY2015	NAME NEXT GENERATION G13.3 PLUG HOUSING 2ROW	
		PRODUCT SPEC 108-106094	RESTRICTED TO	
TOLERANCES UNLESS OTHERWISE SPECIFIED:		APPLICATION SPEC 114-106094	SIZE A3	CAGE CODE -
MATERIAL -		WEIGHT -	DRAWING NO 1971905	SCALE -
FINISH -		CUSTOMER DRAWING		SHEET 3 OF 3
				REV C1