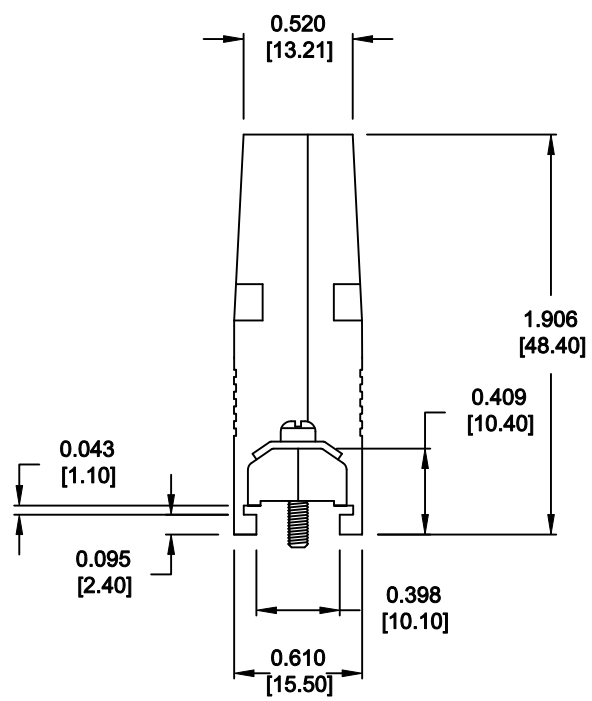
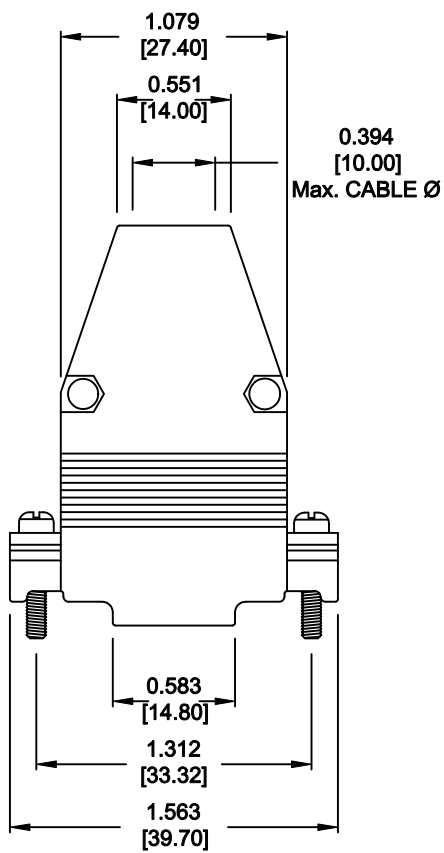


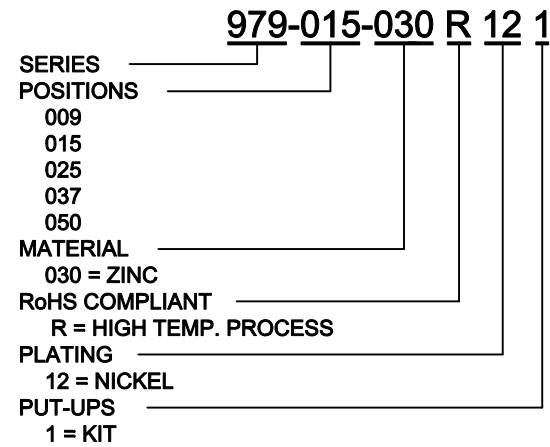
ALL TOLERANCES = ±0.004 [±0.10]  
UNLESS OTHERWISE INDICATED

**BACK SHELL KIT INCLUDES:**

- 2 - BACK SHELL HALVES
- 2 - 4-40 MATING SCREWS
- 2 - SADDLE WASHERS
- 2 - HOUSING SCREWS
- 2 - HOUSING NUTS
- 1 - GROMMET TREE - VARIOUS SIZES  
(NON-CONDUCTIVE GROMMETS)




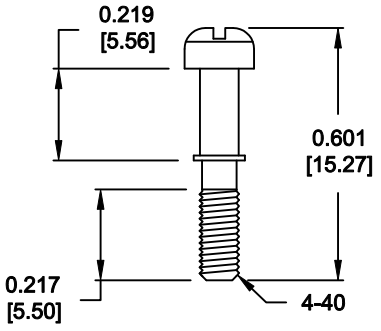
MATERIAL: DIE-CAST ZINC ALLOY  
PLATING: NICKEL  
OPERATING TEMPERATURE: -45°C TO +120°C



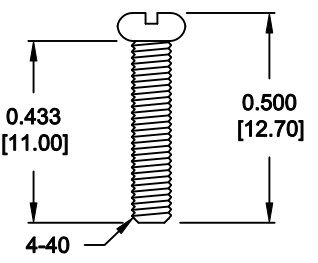
**DO NOT SCALE FROM DRAWING**

**RoHS COMPLIANT**

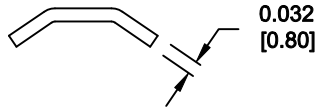
|  |   |                                |                            |                          |
|--|---|--------------------------------|----------------------------|--------------------------|
|  | THESE DRAWINGS AND SPECIFICATIONS ARE THE PROPERTY OF NorComp AND SHALL NOT BE REPRODUCED, COPIED OR USED AS THE BASIS FOR THE MANUFACTURE OF SALE OF APPARATUS WITHOUT WRITTEN PERMISSION. |                                | DRAWN:<br><b>C. SMITH</b>  | DATE:<br><b>04-20-10</b> |
|  |   |                                | CHECKED:                   | DATE:                    |
| <b>NorComp</b>   |   | SCALE:<br><b>1 : 1</b>         | SHEET <b>1</b> OF <b>2</b> | REV <b>3</b>             |
|  |   | DWG NO. <b>979-015-030R121</b> |                            |                          |



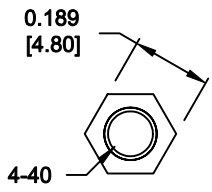
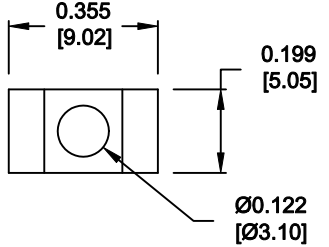
MATING SCREW



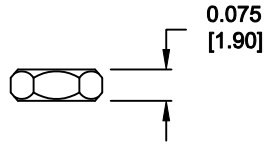
HOUSING SCREW



SADDLE WASHER

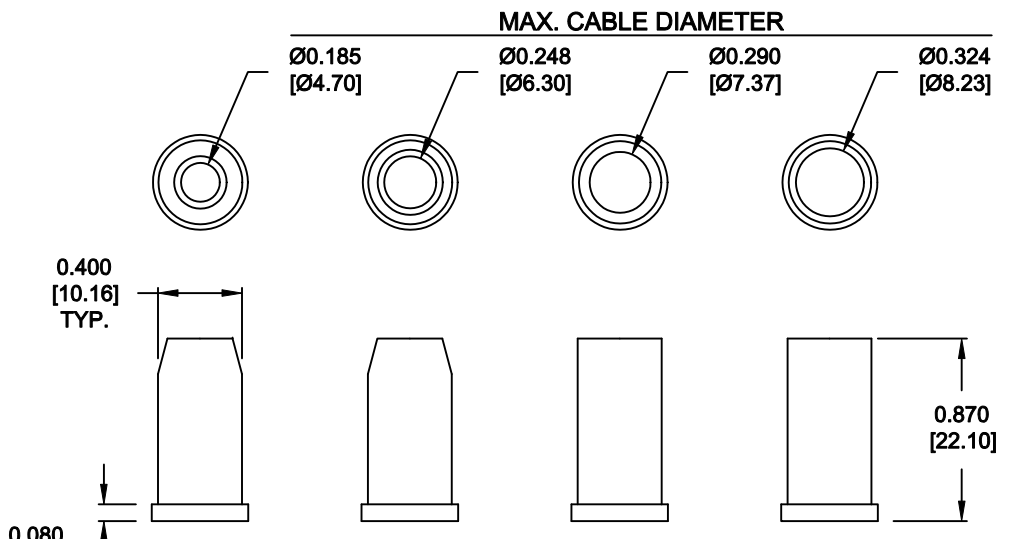


HOUSING NUT



**ALL HARDWARE:**  
 MATERIAL = BRASS  
 PLATING = NICKEL  
 TOLERANCE = ±0.002 [±0.05]  
 SCALE = 2 : 1

RoHS COMPLIANT



**MAX. CABLE DIAMETER**  
 MATERIAL: NON CONDUCTIVE PVC - BLACK  
 TOLERANCE = ±0.010 [±0.25]  
 SCALE = 1 : 1

DO NOT SCALE FROM DRAWING

|                  |   |                               |                           |                          |
|------------------|---|-------------------------------|---------------------------|--------------------------|
|                  | THESE DRAWINGS AND SPECIFICATIONS ARE THE PROPERTY OF NorComp AND SHALL NOT BE REPRODUCED, COPIED OR USED AS THE BASIS FOR THE MANUFACTURE OF SALE OF APPARATUS WITHOUT WRITTEN PERMISSION. |                               | DRAWN:<br><b>C. SMITH</b> | DATE:<br><b>04-20-10</b> |
|                  |   |                               | CHECKED:                  | DATE:                    |
| <h1>NorComp</h1> | SCALE:<br><b>AS SHOWN</b>   | SHEET<br><b>2</b> OF <b>2</b> | REV<br><b>3</b>           |                          |
|                  | DWG NO.   |                               | <b>979-015-030R121</b>    |                          |