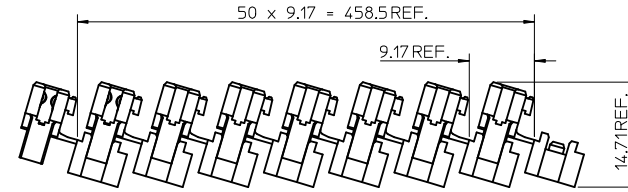
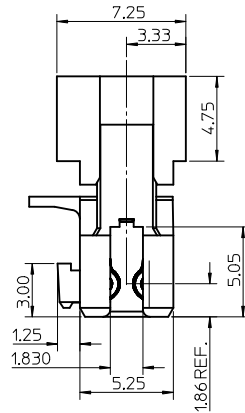
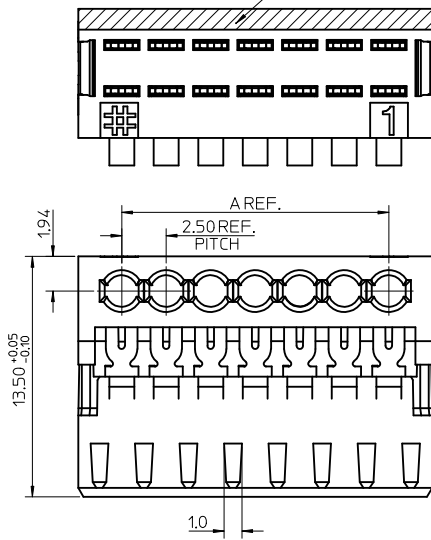


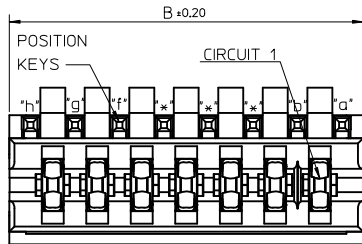
EM-91716-010

SURFACE FOR COLOUR STRIPE (see note 3)



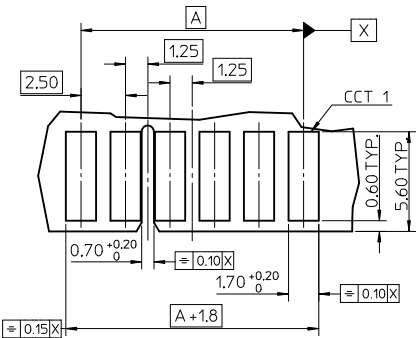
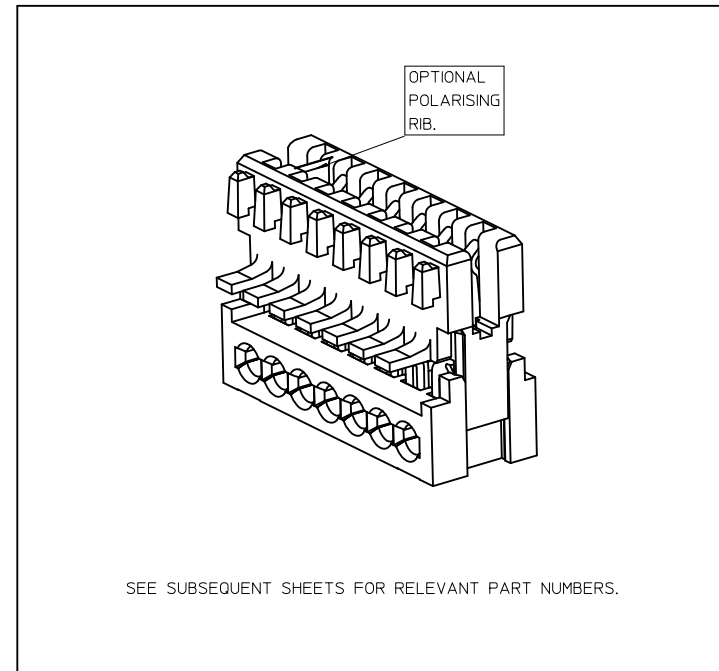
SHIPPING ARRANGEMENT

CCT	*A*	*B*
3	5.0	9.875
4	7.5	12.375
5	10.0	14.875
6	12.5	17.375
7	15.0	19.875
8	17.5	22.375
9	20.0	24.875
10	22.5	27.375
11	25.0	29.875
12	27.5	32.375
13	30.0	34.875
14	32.5	37.375
15	35.0	39.875
16	37.5	42.375
17	40.0	44.875
18	42.5	47.375
19	45.0	49.875
20	47.5	52.375



NOTES:

- REFER TO PRODUCT SPECIFICATION: PS-99020-0040.
- MATERIAL: HOUSING - NYLON PA6  
UL94-V0, COLOUR: NATURAL (WHITE).  
TERMINAL: PHOSPHOR BRONZE 0.30 REF. THICK - PLATING HOT TIN DIP.
- COLOUR STRIPE IS OPTIONAL. AVAILABLE IN THE FOLLOWING COLOURS: RED, GREEN, BLUE, PURPLE  
(BLACK SIGNIFIES CUSTOMER SPECIFIC CONFIGURATION).
- REFER TO PACKAGING SPEC (PK-90871-001)
- REFER TO APPLICATION SPEC (AS-99033-0008)



- PCB LAYOUT FOR 6CCT CONNECTOR (WITH OPTIONAL POSITIONAL RIB SLOT BETWEEN CCT 4 & 5)
- RECOMMENDED PCB THICKNESS 1.5±0.14

<b>ADDED PART NUMBERS</b> ELC NO. IPG2013-1062 DRAWN: M03ULLIVAN012013/01/18 CHKD: CHIKO APPR: SGRUFFIN 2013/02/14 AV	QUALITY SYMBOLS ▽=0 ▽=0	GENERAL TOLERANCES (UNLESS SPECIFIED)		DIMENSION STYLE MM ONLY		SCALE 5:1	DESIGN UNITS METRIC	THIRD ANGLE PROJECTION			
		4 PLACES ± --- ± --- 3 PLACES ± 0.05 ± --- 2 PLACES ± 0.10 ± --- 1 PLACE ± 0.2 ± --- 0 PLACE ± ±		DRAWN BY DATE NMCNAMAR 2004/02/12		CHECKED BY DATE JDENNEHY 2004/02/13		TITLE APPLI-MATE 2.5 FEMALE (MATL: NYLON PA6)			
		ANGULAR ±1/2° DRAFT WHERE APPLICABLE MUST REMAIN WITHIN DIMENSIONS		APPROVED BY DATE BMAGUIRE 2004/02/16		MATERIAL NO. SEE SHEETS 2-6		DOCUMENT NO. SD-91716-001		SHEET NO. 1 OF 6	
		THIS DRAWING CONTAINS INFORMATION THAT IS PROPRIETARY TO MOLEX INCORPORATED AND SHOULD NOT BE USED WITHOUT WRITTEN PERMISSION									

### 3 CIRCUIT

MOLEX PART NO.	MOLEX HOUSING NO.	TERMINAL VOID POSITION	REMOVED POSITION KEYS	CONFIGURATION (SEE NOTES)	POLARIZING RIB	COLOUR STRIPE
91716-0001	91715-0003	NONE	NONE		NONE	NONE
91716-0002	91715-0003	NONE	a d		NONE	RED
91716-0013	91715-0003	NONE	a		NONE	NONE
91716-0014	91715-0003	NONE	b		NONE	NONE
91716-0015	91715-0003	NONE	c		NONE	NONE
91716-0016	91715-0003	NONE	d		NONE	NONE
91716-0017	91715-0003	NONE	b d		NONE	NONE
91716-0018	91715-0003	NONE	a c		NONE	NONE
91716-0019	91715-0003	NONE	a d		NONE	NONE
91716-0020	91715-0003	NONE	a b		NONE	NONE
91716-0021	91715-0003	NONE	b c		NONE	NONE
91716-0022	91715-0003	NONE	c d		NONE	NONE
91716-0023	91715-0003	CKT 2	b d		NONE	NONE
91716-0024	91715-0003	CKT 3	c		NONE	BLUE
91716-0034	91715-0103	NONE	NONE		BETWEEN CKT 1&2	NONE
91716-0041	91715-0203	NONE	NONE		BETWEEN CKT 2&3	NONE
91716-0042	91715-0003	CKT 1	NONE		NONE	NONE
91716-0043	91715-0003	CKT 1	c		NONE	NONE
91716-0044	91715-0003	NONE	b d		NONE	BLUE
91716-0045	91715-0003	NONE	b		NONE	BLUE
91716-0046	91715-0003	CKT 1	d		NONE	NONE
91716-0047	91715-0003	NONE	b d		NONE	RED
91716-0048	91715-0003	NONE	b c d		NONE	NONE
91716-0049	91715-0003	NONE	c		NONE	PURPLE
91716-0050	91715-9903	NONE	NONE		NONE	NONE

CUSTOM END WALL OPTION

### 4 CIRCUIT

MOLEX PART NO.	MOLEX HOUSING NO.	TERMINAL VOID POSITION	REMOVED POSITION KEYS	CONFIGURATION (SEE NOTES)	POLARIZING RIB	COLOUR STRIPE
91716-0501	91715-0004	NONE	NONE		NONE	NONE
91716-0502	91715-0004	NONE	d		NONE	NONE
91716-0503	91715-0004	NONE	a d		NONE	NONE
91716-0504	91715-0004	NONE	c e		NONE	NONE
91716-0505	91715-0004	NONE	a		NONE	NONE
91716-0506	91715-0204	NONE	NONE		BETWEEN CKT 2&3	NONE
91716-0538	91715-0004	NONE	b		NONE	NONE
91716-0539	91715-0004	NONE	b c		NONE	NONE
91716-0539	91715-0004	NONE	a b		NONE	NONE
91716-0540	91715-0004	NONE	d e		NONE	NONE
91716-0541	91715-0004	NONE	ALL		NONE	NONE
91716-0542	91715-0004	NONE	a b e		NONE	NONE
91716-0507	91715-0004	CKT 1	NONE		NONE	NONE
91716-0543	91715-0304	NONE	NONE		BETWEEN CKT 3&4	RED
91716-0544	91715-0204	NONE	NONE		BETWEEN CKT 2&3	BLUE
91716-0545	91715-0004	NONE	d		NONE	BLUE
91716-0546	91715-0004	NONE	b		NONE	RED
91716-0547	91715-0004	NONE	b c		NONE	GREEN
91716-0548	91715-0004	NONE	c d		NONE	RED
91716-0549	91715-0004	NONE	a c e		NONE	NONE

NOTES

- + DENOTES TERMINAL VOIDED POSITION
  - ⊕ DENOTES TERMINAL LOADED POSITION
  - | DENOTES POLARIZING RIB POSITION
- HOUSING NUMBER FOR MOLEX REFERENCE ONLY

### 4 CIRCUIT (cont'd)

MOLEX PART NO.	MOLEX HOUSING NO.	TERMINAL VOID POSITION	REMOVED POSITION KEYS	CONFIGURATION (SEE NOTES)	POLARIZING RIB	COLOUR STRIPE
91716-0550	91715-0104	NONE	NONE		BETWEEN CKT 1&2	NONE
91716-0551	91715-0004	NONE	NONE		NONE	GREEN
91716-0552	91715-0004	NONE	b c d		NONE	NONE
91716-0553	91715-0004	NONE	b d		NONE	NONE
91716-0554	91715-0004	NONE	a b d		NONE	NONE
91716-0555	91715-0004	NONE	a c e		NONE	BLACK

SEE SHEET 1 EC NO: IPC2003-1062 DRAWING(S) I/VAN012013/0118 CHKD: APPR: STGR/IFFE IN 2013/02/14 AV	QUALITY SYMBOLS ▽=0 ▽=0	GENERAL TOLERANCES (UNLESS SPECIFIED) mm      INCH		DIMENSION STYLE MM ONLY		SCALE 1:1	DESIGN UNITS METRIC	THIRD ANGLE PROJECTION	
		4 PLACES ±.--- ±.--- 3 PLACES ±0.05 ±.--- 2 PLACES ±0.10 ±.--- 1 PLACE ±0.2 ±.--- 0 PLACE ±		DRAWN BY DATE NMCNAMAR 2004/02/12		CHECKED BY DATE JDENNEHY 2004/02/13		APPROVED BY DATE BMAGUIRE 2004/02/16	
DRAFT WHERE APPLICABLE MUST REMAIN WITH DIMENSIONS			ANGULAR ±1/2°		SEE CHARTS		MATERIAL NO. DOCUMENT NO. SD-91716-001		
THIS DRAWING CONTAINS INFORMATION THAT IS PROPRIETARY TO MOLEX INCORPORATED AND SHOULD NOT BE USED WITHOUT WRITTEN PERMISSION								SHEET NO. 2 OF 6	

### 5 CIRCUIT

MOLEX PART NO.	MOLEX HOUSING NO.	TERMINAL VOID POSITION	REMOVED POSITION KEYS	CONFIGURATION (SEE NOTES)	POLARIZING RIB	COLOUR STRIPE
91716-1001	91715-0005	NONE	NONE		NONE	NONE
91716-1002	91715-0305	NONE	ALL		<b>BETWEEN CKT 3&amp;4</b>	NONE
91716-1003	91715-0405	NONE	NONE		<b>BETWEEN CKT 4&amp;5</b>	NONE
91716-1004	91715-0005	NONE	c d		NONE	NONE
91716-1005	91715-0005	NONE	a		NONE	NONE
91716-1006	91715-0005	NONE	b		NONE	NONE
91716-1007	91715-0005	NONE	a b e f		NONE	NONE
91716-1008	91715-0205	NONE	NONE		<b>BETWEEN CKT 2&amp;3</b>	NONE
91716-1009	91715-0005	<b>CKT 2, 3, 4</b>	NONE		NONE	NONE
91716-1010	91715-0005	<b>CKT 2</b>	c		NONE	NONE
91716-1011	91715-0005	<b>CKT 2</b>	d		NONE	NONE
91716-1012	91715-0005	<b>CKT 2</b>	b		NONE	NONE
91716-1013	91715-0005	<b>CKT 2</b>	a		NONE	NONE
91716-1014	91715-0005	NONE	b c d e		NONE	NONE
91716-1015	91715-0305	<b>CKT 2, 3, 4</b>	NONE		<b>BETWEEN CKT 3&amp;4</b>	<b>RED</b>
91716-1016	91715-0005	<b>CKT 2</b>	b		NONE	<b>RED</b>
91716-1017	91715-0005	NONE	d e		NONE	NONE
91716-1018	91715-0005	NONE	a d f		NONE	NONE
91716-1019	91715-0105	NONE	NONE		<b>BETWEEN CKT 1&amp;2</b>	NONE
91716-1020	91715-0005	<b>CKT 2, 3, 4</b>	b		NONE	NONE
91716-1021	91715-0005	NONE	d		NONE	NONE
91716-1022	91715-0005	NONE	b f		NONE	<b>RED</b>
91716-1023	91715-0005	<b>CKT 2, 3, 4</b>	c e		NONE	NONE
91716-1024	91715-0205	NONE	a b e f		<b>BETWEEN 2&amp;3</b>	NONE
91716-1025	91715-0005	<b>CKT 2, 3, 4</b>	c f		NONE	NONE

### 6 CIRCUIT

MOLEX PART NO.	MOLEX HOUSING NO.	TERMINAL VOID POSITION	REMOVED POSITION KEYS	CONFIGURATION (SEE NOTES)	POLARIZING RIB	COLOUR STRIPE
91716-1501	91715-0006	NONE	NONE		NONE	NONE
91716-1502	91715-0306	NONE	ALL		<b>BETWEEN CKT 3&amp;4</b>	NONE
91716-1503	91715-0006	NONE	c e f g		NONE	NONE
91716-1504	91715-0206	NONE	ALL		<b>BETWEEN CKT 2&amp;3</b>	NONE
91716-1505	91715-0006	<b>CKT 2, 5</b>	d f		NONE	NONE
91716-1506	91715-0006	NONE	a b f g		NONE	NONE
91716-1507	91715-0006	NONE	e f		NONE	NONE
91716-1509	91715-0006	NONE	g		NONE	NONE
91716-1510	91715-0006	<b>CKT 2</b>	c f		NONE	NONE
91716-1511	91715-0006	<b>CKT 2, 5</b>	NONE		NONE	NONE
91716-1512	91715-0006	<b>CKT 3, 5</b>	NONE		NONE	NONE
91716-1513	91715-0006	<b>CKT 2, 4</b>	b d e f		NONE	NONE
91716-1514	91715-0106	<b>CKT 3, 5</b>	NONE		<b>BETWEEN CKT 1&amp;2</b>	NONE
91716-1515	91715-0206	<b>CKT 2, 5</b>	NONE		<b>BETWEEN CKT 2&amp;3</b>	NONE
91716-1516	91715-0306	NONE	c f		<b>BETWEEN CKT 3&amp;4</b>	NONE
91716-1517	91715-0006	NONE	c e		NONE	NONE
91716-1518	91715-0006	<b>CKT 2, 4</b>	NONE		NONE	NONE
91716-1519	91715-0006	NONE	a c e		NONE	NONE
91716-1520	91715-0006	<b>CKT 5</b>	c e		NONE	NONE
91716-1521	91715-0006	<b>CKT 2, 4, 5, 6</b>	c e		NONE	NONE
91716-1522	91715-0006	<b>CKT 2, 6</b>	c e		NONE	NONE

### 6 CIRCUIT (cont'd)

MOLEX PART NO.	MOLEX HOUSING NO.	TERMINAL VOID POSITION	REMOVED POSITION KEYS	CONFIGURATION (SEE NOTES)	POLARIZING RIB	COLOUR STRIPE
91716-1523	91715-0406	NONE	NONE		<b>BETWEEN CKT 4&amp;5</b>	NONE
91716-1524	91715-0006	<b>CKT 2, 4, 5, 6</b>	NONE		NONE	NONE
91716-1525	91715-0006	<b>CKT 2, 6</b>	NONE		NONE	NONE
91716-1526	91715-0006	<b>CKT 2, 5</b>	NONE		NONE	NONE
91716-1527	91715-0006	<b>CKT 2, 5</b>	c e		NONE	NONE
91716-1528	91715-0006	<b>CKT 2, 5</b>	a b d f g		NONE	<b>GREEN</b>
91716-1529	91715-0006	NONE	d		NONE	NONE
91716-1531	91715-0006	<b>CKT 1, 2, 3, 5</b>	NONE		NONE	NONE
91716-1532	91715-0006	<b>CKT 1, 2, 3, 5</b>	d f		NONE	NONE
91716-1534	91715-0006	<b>CKT 3, 4</b>	b d f		NONE	NONE
91716-1535	91715-0006	<b>CKT 4, 5</b>	b d f		NONE	NONE
91716-1536	91715-0206	NONE	NONE		<b>BETWEEN CKT 2&amp;3</b>	NONE
91716-1537	91715-0006	NONE	d		NONE	<b>BLUE</b>
91716-1538	91715-0006	<b>CKT 2, 5</b>	b d		NONE	NONE
91716-1539	91715-0006	<b>CKT 5, 6</b>	c f		NONE	NONE
91716-1540	91715-0006	<b>CKT 2, 4</b>	d e		NONE	<b>GREEN</b>
91716-1541	91715-0006	NONE	a f g		NONE	NONE
91716-1542	91715-0006	NONE	NONE		NONE	<b>RED</b>
91716-1543	91715-0506	NONE	NONE		<b>BETWEEN 5&amp;6</b>	NONE
91716-1544	91715-0006	NONE	c e g		NONE	<b>RED</b>
91716-1545	91715-0006	NONE	d f		NONE	<b>BLACK</b>

NOTES  
 1. + DENOTES TERMINAL VOIDED POSITION  
 ○ DENOTES TERMINAL LOADED POSITION  
 ● DENOTES POLARIZING RIB POSITION  
 2. HOUSING NUMBER FOR MOLEX REFERENCE ONLY

SEE SHEET 1 EC NO: P2003-1062 DRAWN BY: DRW:MSULL/VANO/2013/01/18 CHKD: AV APPR: STOR/LIFE IN 2013/02/14	QUALITY SYMBOLS ▽=0 ▽=0	GENERAL TOLERANCES (UNLESS SPECIFIED) mm INCH 4 PLACES ± --- ± --- 3 PLACES ± 0.05 ± --- 2 PLACES ± 0.10 ± --- 1 PLACE ± 0.2 ± --- 0 PLACE ± ±	DIMENSION STYLE MM ONLY	SCALE 1:1	DESIGN UNITS METRIC	THIRD ANGLE PROJECTION	
	DRAWN BY: NMCNAMAR DATE: 2004/02/12	CHECKED BY: JDENNEHY DATE: 2004/02/13	APPROVED BY: BMAGUIRE DATE: 2004/02/16	MATERIAL NO. SEE CHARTS	DOCUMENT NO. SD-91716-001	SHEET NO. 3 OF 6	TITLE APPLI-MATE 2.5 FEMALE (MATL: NYLON PA6)
	DRAFT WHERE APPLICABLE MUST REMAIN WITHIN DIMENSIONS						
	THIS DRAWING CONTAINS INFORMATION THAT IS PROPRIETARY TO MOLEX INCORPORATED AND SHOULD NOT BE USED WITHOUT WRITTEN PERMISSION						

6 CIRCUIT (cont'd)						
MOLEX PART NO.	MOLEX HOUSING NO.	TERMINAL VOID POSITION	REMOVED POSITION KEYS	CONFIGURATION (SEE NOTES)	POLARIZING RIB	COLOUR STRIPE
91716-1546	91715-0006	NONE	a d		NONE	NONE
91716-1547	91715-0006	NONE	b e f		NONE	NONE
91716-1548	91715-0006	NONE	c d e		NONE	NONE
91716-1549	91715-0406	NONE	NONE		<b>BETWEEN CKT 4&amp;5</b>	NONE
91716-1550	91715-0006	NONE	b d f		NONE	NONE
91716-1551	91715-0006	NONE	a c e g		NONE	NONE
91716-1552	91715-0006	NONE	a b d f		NONE	NONE
91716-1553	91715-0006	<b>CCT 2, 5</b>	c d		NONE	<b>BLACK</b>
91716-1554	91715-0006	<b>CCT 2, 4</b>	b		NONE	<b>RED</b>
91716-1555	91715-0006	NONE	c f		NONE	NONE
91716-1556	91715-0006	NONE	b d e g		NONE	NONE
91716-1557	91715-0006	<b>CCT 2&amp;4</b>	b g		NONE	<b>RED</b>

- NOTES
- DENOTES TERMINAL VOIDED POSITION  
 DENOTES TERMINAL LOADED POSITION  
 DENOTES POLARIZING RIB POSITION
  - HOUSING NUMBER FOR MOLEX REFERENCE ONLY

<b>SEE SHEET 1</b> EC NO: IP02013-1062 DRAWING NO: I/AVNO12013/01/118 CHKD: AV APPR: STGRiffin 2013/02/14	QUALITY SYMBOLS = 0 = 0	GENERAL TOLERANCES (UNLESS SPECIFIED) <table border="1"> <tr> <th></th> <th>mm</th> <th>INCH</th> </tr> <tr> <td>4 PLACES</td> <td>± 0.10</td> <td>± 0.004</td> </tr> <tr> <td>3 PLACES</td> <td>± 0.05</td> <td>± 0.002</td> </tr> <tr> <td>2 PLACES</td> <td>± 0.10</td> <td>± 0.004</td> </tr> <tr> <td>1 PLACE</td> <td>± 0.2</td> <td>± 0.008</td> </tr> <tr> <td>0 PLACE</td> <td>±</td> <td>±</td> </tr> </table>		mm	INCH	4 PLACES	± 0.10	± 0.004	3 PLACES	± 0.05	± 0.002	2 PLACES	± 0.10	± 0.004	1 PLACE	± 0.2	± 0.008	0 PLACE	±	±	DIMENSION STYLE <b>MM ONLY</b>	SCALE <b>1:1</b>	DESIGN UNITS <b>METRIC</b>	THIRD ANGLE PROJECTION
		mm	INCH																					
4 PLACES	± 0.10	± 0.004																						
3 PLACES	± 0.05	± 0.002																						
2 PLACES	± 0.10	± 0.004																						
1 PLACE	± 0.2	± 0.008																						
0 PLACE	±	±																						
DRAWN BY: NMCNAMAR CHECKED BY: JDENNEHY APPROVED BY: BMAGUIRE	DATE: 2004/02/12 DATE: 2004/02/13 DATE: 2004/02/16	TITLE <b>APPLI-MATE 2.5 FEMALE (MATL: NYLON PA6)</b>	MATERIAL NO. <b>SEE CHARTS</b>	DOCUMENT NO. <b>SD-91716-001</b>	SHEET NO. <b>4 OF 6</b>	THIS DRAWING CONTAINS INFORMATION THAT IS PROPRIETARY TO MOLEX INCORPORATED AND SHOULD NOT BE USED WITHOUT WRITTEN PERMISSION																		

### 7 CIRCUIT

MOLEX PART NO.	MOLEX HOUSING NO.	TERMINAL VOID POSITION	REMOVED POSITION KEYS	CONFIGURATION (SEE NOTES)	POLARIZING RIB	COLOUR STRIPE
91716-2001	91715-0007	NONE	NONE		NONE	NONE
91716-2002	91715-0207	NONE	ALL		<b>BETWEEN CKT 2&amp;3</b>	NONE
91716-2004	91715-0007	NONE	a		NONE	NONE
91716-2005	91715-0007	<b>CKT 2</b>	h		NONE	NONE
91716-2006	91715-0007	<b>CKT 4</b>	a		NONE	NONE
91716-2007	91715-0007	<b>CKT 2</b>	NONE		NONE	NONE
91716-2008	91715-0007	<b>CKT 6</b>	NONE		NONE	NONE
91716-2009	91715-0007	<b>CKT 2</b>	b c e g		NONE	<b>BLUE</b>
91716-2010	91715-0007	<b>CKT 4, 6</b>	b d f		NONE	<b>RED</b>
91716-2011	91715-0007	<b>CKT 4, 6</b>	b d f		NONE	<b>BLUE</b>
91716-2012	91715-0007	<b>CKT 2</b>	NONE		NONE	<b>BLUE</b>
91716-2013	91715-0007	<b>CKT 2</b>	b d e f h		NONE	<b>BLUE</b>
91716-2014	91715-0007	<b>CKT 4, 6</b>	NONE		NONE	<b>BLUE</b>
91716-2015	91715-0007	<b>CKT 4, 6</b>	c d e f h		NONE	<b>BLUE</b>
91716-2016	91715-0007	<b>CKT 6</b>	c d e f h		NONE	<b>BLUE</b>
91716-2017	91715-0007	<b>CKT 6</b>	c d e f		NONE	<b>BLUE</b>
91716-2018	91715-0007	<b>CKT 6</b>	NONE		NONE	<b>BLUE</b>
91716-2019	91715-0007	<b>CKT 2</b>	NONE		NONE	<b>BLACK</b>
91716-2020	91715-0007	NONE	a c e f h		NONE	NONE
91716-2021	91715-0007	NONE	a		NONE	<b>BLACK</b>
91716-2022	91715-0007	NONE	b c d f		NONE	NONE
91716-2023	91715-0007	NONE	a d		NONE	NONE
91716-2024	91715-0007	NONE	a b e f		NONE	NONE
91716-2025	91715-0507	NONE	NONE		<b>BETWEEN CKT 5&amp;6</b>	NONE
91716-2026	91715-0007	NONE	ALL		NONE	NONE

### 8 CIRCUIT

MOLEX PART NO.	MOLEX HOUSING NO.	TERMINAL VOID POSITION	REMOVED POSITION KEYS	CONFIGURATION (SEE NOTES)	POLARIZING RIB	COLOUR STRIPE
91716-2501	91715-0008	NONE	NONE		NONE	NONE
91716-2502	91715-0308	NONE	NONE		<b>BETWEEN CKT 3&amp;4</b>	NONE
91716-2503	91715-0008	NONE	c f h i		NONE	NONE
91716-2504	91715-0008	NONE	b c d h i		NONE	NONE
91716-2505	91715-0008	NONE	b c g h		NONE	<b>BLUE</b>
91716-2506	91715-0008	NONE	c f		NONE	NONE
91716-2507	91715-0008	NONE	c f h i		NONE	<b>BLUE</b>
91716-2508	91715-0008	NONE	NONE		NONE	<b>BLUE</b>
91716-2509	91715-0008	NONE	a c d e g i		NONE	<b>BLUE</b>
91716-2510	91715-0008	NONE	c d e f		NONE	<b>BLUE</b>
91716-2511	91715-0008	NONE	NONE		NONE	<b>BLACK</b>
91716-2512	91715-0008	NONE	c f h i		NONE	<b>BLACK</b>
91716-2513	91715-0008	NONE	c d g h		NONE	NONE
91716-2514	91715-0008	NONE	a c d e f g h i		NONE	<b>BLUE</b>
91716-2515	91715-0008	NONE	a b d f h i		NONE	NONE
91716-2516	91715-0008	NONE	b c d h i		NONE	<b>BLUE</b>
91716-2517	91715-2008	NONE	NONE		<b>BETWEEN CKT 1&amp;2 + CKT 7&amp;8</b>	NONE
91716-2518	91715-0008	NONE	b c d f h i		NONE	NONE
91716-2519	91715-0008	NONE	a c e f h i		NONE	NONE
91716-2520	91715-0008	NONE	ALL		NONE	NONE

### 8 CIRCUIT

MOLEX PART NO.	MOLEX HOUSING NO.	TERMINAL VOID POSITION	REMOVED POSITION KEYS	CONFIGURATION (SEE NOTES)	POLARIZING RIB	COLOUR STRIPE
91716-2521	91715-0008	<b>CKT 7, 8</b>	a b d f h i		NONE	NONE
91716-2522	91715-0008	NONE	b c d f h i		NONE	<b>BLUE</b>

### 9 CIRCUIT

MOLEX PART NO.	MOLEX HOUSING NO.	TERMINAL VOID POSITION	REMOVED POSITION KEYS	CONFIGURATION (SEE NOTES)	POLARIZING RIB	COLOUR STRIPE
91716-3001	91715-0009	NONE	NONE		NONE	NONE
91716-3002	91715-0409	NONE	NONE		<b>BETWEEN CKT 4&amp;5</b>	NONE
91716-3003	91715-0009	<b>CKT 2, 5, 8</b>	NONE		NONE	NONE
91716-3004	91715-0209	NONE	NONE		<b>BETWEEN CKT 2&amp;3</b>	NONE
91716-3005	91715-0009	<b>CKT 2, 5, 8</b>	b c e g i j		NONE	<b>GREEN</b>
91716-3006	91715-0009	<b>CKT 2, 5, 8</b>	NONE		NONE	<b>GREEN</b>
91716-3007	91715-0009	<b>CKT 2, 5, 8</b>	b c e f g i j		NONE	<b>GREEN</b>
91716-3008	91715-0009	<b>CKT 2, 5, 8</b>	b c e f g i		NONE	<b>GREEN</b>
91716-3009	91715-0009	<b>CKT 2, 5, 7</b>	c g		NONE	NONE
91716-3010	91715-0009	<b>CKT 2, 5, 8</b>	b c h i		NONE	NONE
91716-3011	91715-0709	NONE	NONE		<b>BETWEEN CKT 7&amp;8</b>	NONE

### 10 CIRCUIT

MOLEX PART NO.	MOLEX HOUSING NO.	TERMINAL VOID POSITION	REMOVED POSITION KEYS	CONFIGURATION (SEE NOTES)	POLARIZING RIB	COLOUR STRIPE
91716-3501	91715-0010	NONE	NONE		NONE	NONE
91716-3502	91715-0210	NONE	ALL		<b>BETWEEN CKT 2&amp;3</b>	NONE
91716-3503	91715-0010	<b>CKT 2, 5, 7, 9</b>	NONE		NONE	NONE
91716-3504	91715-0410	NONE	NONE		<b>BETWEEN CKT 4&amp;5</b>	NONE

NOTES  
 1. + DENOTES TERMINAL VOIDED POSITION  
 2. @ DENOTES TERMINAL LOADED POSITION  
 3. @ DENOTES POLARIZING RIB POSITION  
 HOUSING NUMBER FOR MOLEX REFERENCE ONLY

SEE SHEET 1 EC NO: IPG2013-1062 DRAWING NO: 2013/01/18 CHKD: DRWMSULLI/VAND/2013/01/18 APPR: STGR/IFFE IN 2013/02/14 DESCRIPTION:	QUALITY SYMBOLS	GENERAL TOLERANCES (UNLESS SPECIFIED)	DIMENSION STYLE	SCALE	DESIGN UNITS	THIRD ANGLE PROJECTION	
	4 PLACES ± --- ± --- 3 PLACES ± 0.05 ± --- 2 PLACES ± 0.10 ± --- 1 PLACE ± 0.2 ± --- 0 PLACE ± ±	mm INCH --- --- --- --- --- --- --- ---	MM ONLY	DRAWN BY DATE NMCNAMAR 2004/02/12 CHECKED BY DATE JDENNEHY 2004/02/13 APPROVED BY DATE BMAGUIRE 2004/02/16	1:1	METRIC	APPLI-MATE 2.5 FEMALE (MATL: NYLON PA6)
	ANGULAR ± 1/2° DRAFT WHERE APPLICABLE MUST REMAIN WITHIN DIMENSIONS	SEE CHARTS THIS DRAWING CONTAINS INFORMATION THAT IS PROPRIETARY TO MOLEX INCORPORATED AND SHOULD NOT BE USED WITHOUT WRITTEN PERMISSION	MATERIAL NO.	DOCUMENT NO.	SHEET NO.		
	AV					SD-91716-001	5 OF 6

11 CIRCUIT						
MOLEX PART NO.	MOLEX HOUSING NO.	TERMINAL VOID POSITION	REMOVED POSITION KEYS	CONFIGURATION (SEE NOTES)	POLARIZING RIB	COLOUR STRIPE
91716-4001	91715-0011	NONE	NONE	nnnnnnnnnnnn ①②③④⑤⑥⑦⑧⑨⑩⑪	NONE	NONE

12 CIRCUIT						
MOLEX PART NO.	MOLEX HOUSING NO.	TERMINAL VOID POSITION	REMOVED POSITION KEYS	CONFIGURATION (SEE NOTES)	POLARIZING RIB	COLOUR STRIPE
91716-4501	91715-0012	NONE	NONE	nnnnnnnnnnnn ①②③④⑤⑥⑦⑧⑨⑩⑪⑫	NONE	NONE
91716-4502	91715-0012	<b>CKT 2, 5, 8, 11</b>	b c d e j k l	n b c d e n n n n j k l n ①②③④⑤⑥⑦⑧⑨⑩⑪⑫	NONE	<b>GREEN</b>
91716-4503	91715-0012	<b>CKT 2, 5, 8, 11</b>	NONE	nnnnnnnnnnnn ①②③④⑤⑥⑦⑧⑨⑩⑪⑫	NONE	<b>GREEN</b>
91716-4504	91715-0012	<b>CKT 2, 5, 8, 11</b>	a c d e g h i k l m	a c d e g h i k l m ①②③④⑤⑥⑦⑧⑨⑩⑪⑫	NONE	<b>GREEN</b>
91716-4505	91715-0012	<b>CKT 2, 5, 8, 11</b>	c d e g h i k l m	n c d e g h i k l m ①②③④⑤⑥⑦⑧⑨⑩⑪⑫	NONE	<b>GREEN</b>

13 CIRCUIT						
MOLEX PART NO.	MOLEX HOUSING NO.	TERMINAL VOID POSITION	REMOVED POSITION KEYS	CONFIGURATION (SEE NOTES)	POLARIZING RIB	COLOUR STRIPE
91716-5001	91715-0013	NONE	NONE	nnnnnnnnnnnn ①②③④⑤⑥⑦⑧⑨⑩⑪⑫⑬	NONE	NONE
91716-5002	91715-0013	<b>CKT 4, 6, 8, 10, 12</b>	NONE	nnnnnnnnnnnn ①②③④⑤⑥⑦⑧⑨⑩⑪⑫⑬	NONE	NONE
91716-5003	91715-0013	NONE	c f h i k l	n n c n n f h i k l n n ①②③④⑤⑥⑦⑧⑨⑩⑪⑫⑬	NONE	NONE

14 CIRCUIT						
MOLEX PART NO.	MOLEX HOUSING NO.	TERMINAL VOID POSITION	REMOVED POSITION KEYS	CONFIGURATION (SEE NOTES)	POLARIZING RIB	COLOUR STRIPE
91716-5501	91715-0014	NONE	NONE	nnnnnnnnnnnn ①②③④⑤⑥⑦⑧⑨⑩⑪⑫⑬⑭	NONE	NONE

- NOTES:
- + DENOTES TERMINAL VOIDED POSITION  
● DENOTES TERMINAL LOADED POSITION  
| DENOTES POLARIZING RIB POSITION
  - HOUSING NUMBER FOR MOLEX REFERENCE ONLY

15 CIRCUIT						
MOLEX PART NO.	MOLEX HOUSING NO.	TERMINAL VOID POSITION	REMOVED POSITION KEYS	CONFIGURATION (SEE NOTES)	POLARIZING RIB	COLOUR STRIPE
91716-6001	91715-0015	NONE	NONE	nnnnnnnnnnnn ①②③④⑤⑥⑦⑧⑨⑩⑪⑫⑬⑭⑮	NONE	NONE
91716-6002	91715-0015	<b>CKT 4, 6, 8, 10, 12, 14</b>	o p	nnnnnnnnnnnn ①②③④⑤⑥⑦⑧⑨⑩⑪⑫⑬⑭⑮	NONE	NONE
91716-6003	91715-0515	NONE	a p	nnnnnnnnnnnn ①②③④⑤⑥⑦⑧⑨⑩⑪⑫⑬⑭⑮	<b>BETWEEN 5&amp;6</b>	NONE

16 CIRCUIT						
MOLEX PART NO.	MOLEX HOUSING NO.	TERMINAL VOID POSITION	REMOVED POSITION KEYS	CONFIGURATION (SEE NOTES)	POLARIZING RIB	COLOUR STRIPE
91716-6501	91715-0016	NONE	NONE	nnnnnnnnnnnn ①②③④⑤⑥⑦⑧⑨⑩⑪⑫⑬⑭⑮⑯	NONE	NONE

17 CIRCUIT						
MOLEX PART NO.	MOLEX HOUSING NO.	TERMINAL VOID POSITION	REMOVED POSITION KEYS	CONFIGURATION (SEE NOTES)	POLARIZING RIB	COLOUR STRIPE
91716-7001	91715-0017	NONE	NONE	nnnnnnnnnnnn ①②③④⑤⑥⑦⑧⑨⑩⑪⑫⑬⑭⑮⑯⑰	NONE	NONE

18 CIRCUIT						
MOLEX PART NO.	MOLEX HOUSING NO.	TERMINAL VOID POSITION	REMOVED POSITION KEYS	CONFIGURATION (SEE NOTES)	POLARIZING RIB	COLOUR STRIPE
91716-7501	91715-0018	NONE	NONE	nnnnnnnnnnnn ①②③④⑤⑥⑦⑧⑨⑩⑪⑫⑬⑭⑮⑯⑰⑱	NONE	NONE

19 CIRCUIT						
MOLEX PART NO.	MOLEX HOUSING NO.	TERMINAL VOID POSITION	REMOVED POSITION KEYS	CONFIGURATION (SEE NOTES)	POLARIZING RIB	COLOUR STRIPE
91716-8001	91715-0019	NONE	NONE	nnnnnnnnnnnn ①②③④⑤⑥⑦⑧⑨⑩⑪⑫⑬⑭⑮⑯⑰⑱⑲	NONE	NONE

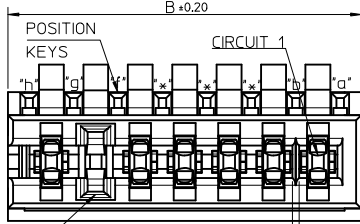
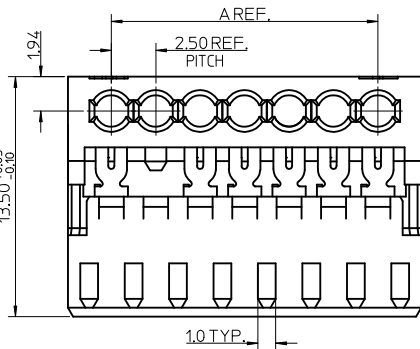
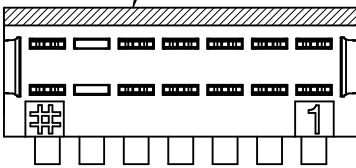
20 CIRCUIT						
MOLEX PART NO.	MOLEX HOUSING NO.	TERMINAL VOID POSITION	REMOVED POSITION KEYS	CONFIGURATION (SEE NOTES)	POLARIZING RIB	COLOUR STRIPE
91716-8501	91715-0020	NONE	NONE	nnnnnnnnnnnn ①②③④⑤⑥⑦⑧⑨⑩⑪⑫⑬⑭⑮⑯⑰⑱⑲⑳	NONE	NONE

<b>SEE SHEET 1</b> SEC NO: IP2013-1062 DRAWN BY: MRSULL VANDY 2013/01/18 CHKD: AV APPR: STGRIFIN 2013/02/14 REV	<b>QUALITY SYMBOLS</b> ▽=0 ▽=0	<b>GENERAL TOLERANCES (UNLESS SPECIFIED)</b> <table border="1"> <tr> <th></th> <th>mm</th> <th>INCH</th> </tr> <tr> <td>4 PLACES</td> <td>± .---</td> <td>± .---</td> </tr> <tr> <td>3 PLACES</td> <td>± 0.05</td> <td>± .---</td> </tr> <tr> <td>2 PLACES</td> <td>± 0.10</td> <td>± .---</td> </tr> <tr> <td>1 PLACE</td> <td>± 0.2</td> <td>± .---</td> </tr> <tr> <td>0 PLACE</td> <td>±</td> <td>±</td> </tr> </table>		mm	INCH	4 PLACES	± .---	± .---	3 PLACES	± 0.05	± .---	2 PLACES	± 0.10	± .---	1 PLACE	± 0.2	± .---	0 PLACE	±	±	<b>DIMENSION STYLE</b> <b>MM ONLY</b>	<b>SCALE</b> 1:1	<b>DESIGN UNITS</b> METRIC	THIRD ANGLE PROJECTION
		mm	INCH																					
	4 PLACES	± .---	± .---																					
	3 PLACES	± 0.05	± .---																					
2 PLACES	± 0.10	± .---																						
1 PLACE	± 0.2	± .---																						
0 PLACE	±	±																						
		<b>DRAFT WHERE APPLICABLE MUST REMAIN WITHIN DIMENSIONS</b>	<b>SEE CHARTS</b>	<b>APPLI-MATE 2.5 FEMALE (MATL: NYLON PA6)</b>	<b>molex</b>	<b>SHEET NO.</b> 6 OF 6																		
			<b>APPROVED BY</b> DATE 2004/02/16	<b>DATE</b> 2004/02/12	<b>DATE</b> 2004/02/13	<b>DOCUMENT NO.</b> SD-91716-001																		
			<b>MATERIAL NO.</b>	<b>DATE</b> 2004/02/16	<b>DATE</b> 2004/02/16	<b>DATE</b> 2004/02/16																		

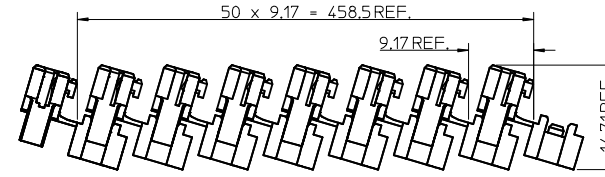
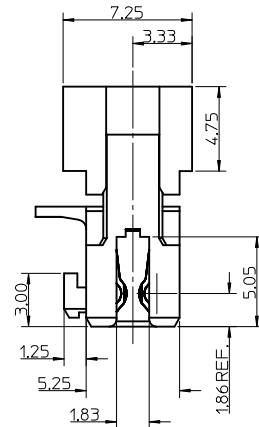
THIS DRAWING CONTAINS INFORMATION THAT IS PROPRIETARY TO MOLEX INCORPORATED AND SHOULD NOT BE USED WITHOUT WRITTEN PERMISSION

EM-91716-010

POSITION OF COLOUR STRIPE (see note 3)



LATCH AT CCT6

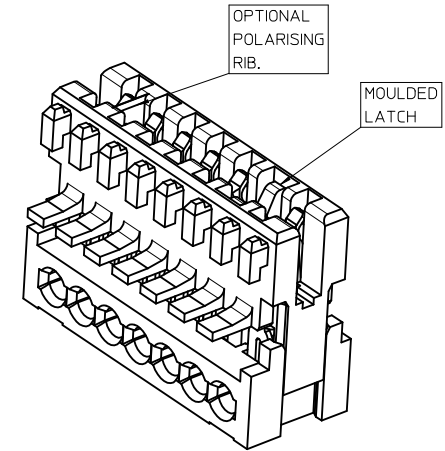


SHIPPING ARRANGEMENT SCALE 2:1

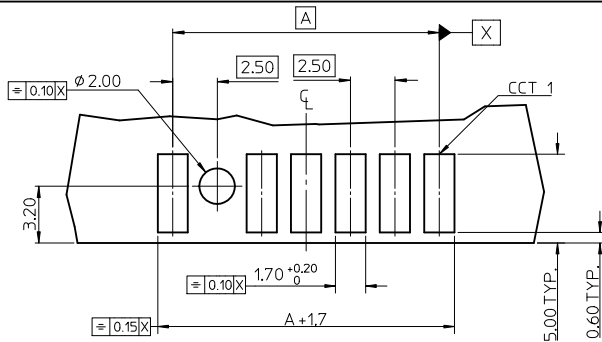
CCT	"A"	"B"
3	5.0	9.875
4	7.5	12.375
5	10.0	14.875
6	12.5	17.375
7	15.0	19.875
8	17.5	22.375
9	20.0	24.875
10	22.5	27.375
11	25.0	29.875
12	27.5	32.375
13	30.0	34.875
14	32.5	37.375
15	35.0	39.875

NOTES:

- REFER TO PRODUCT SPECIFICATION: PS-99020-0040.
- MATERIAL: HOUSING - POLYAMIDE 6 (PA6) UL94-V2. COLOUR NATURAL.  
TERMINAL: PHOSPHOR BRONZE 0.30 REF. THICK - PLATING HOT TIN DIP.
- COLOUR STRIPE IS OPTIONAL. AVAILABLE IN THE FOLLOWING COLOURS: RED, GREEN, BLUE.  
(BLACK SIGNIFIES CUSTOMER SPECIFIC CONFIGURATION).
- REFER TO PACKAGING SPEC (PK-90871-001)
- REFER TO APPLICATION SPEC (AS-99033-0008)
- FOR CIRCUIT SIZES LARGER THAN 16CCT - CONTACT ENG. DEPT.



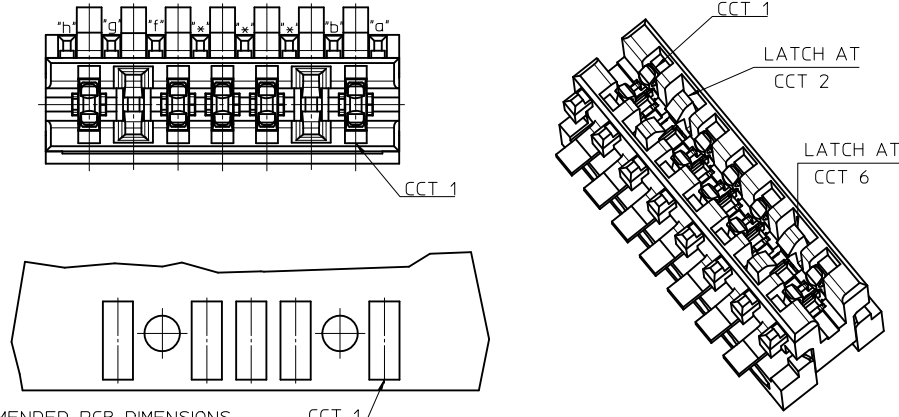
OPEN END WALL OPTION (LATCH SHOWN IN CCT 6)



- PCB LAYOUT FOR 7CCT CONNECTOR (LAYOUT SHOWN FOR PART WITHOUT POLARIZING RIB AND WITH OPEN END WALLS)  
- RECOMMENDED PCB THICKNESS 1.5±0.14

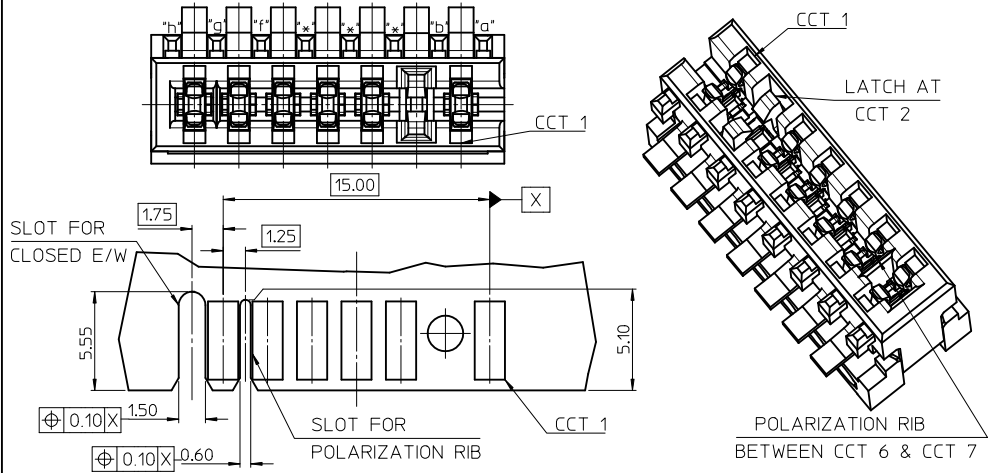
Add P/N EC NO: IPG2013-118 DRW:MSULLIVAN012013/01/25 CHKD: APPR:STGRiffin_2013/02/14 REV	QUALITY SYMBOLS ▽=0 ▽=0	GENERAL TOLERANCES (UNLESS SPECIFIED) mm INCH 4 PLACES ± --- ± --- 3 PLACES ± 0.05 ± --- 2 PLACES ± 0.10 ± --- 1 PLACE ± 0.2 ± --- ANGULAR ± 1/2°	DIMENSION STYLE MM ONLY DRAWN BY SMC GREEVY DATE 2011/12/15 CHECKED BY DATE APPROVED BY EFOLAN DATE 2012/03/01	SCALE 5:1 DESIGN UNITS METRIC THIRD ANGLE PROJECTION	TITLE APPLI-MATE 2.5 FEMALE G.W.T. 750 VERSION INTERNAL LATCH MOLEX INCORPORATED MATERIAL NO. SHEETS 3 & 4 DOCUMENT NO. SD-93385-001	SHEET NO. 1 OF 4
	DRAFT WHERE APPLICABLE MUST REMAIN WITHIN DIMENSIONS		THIS DRAWING CONTAINS INFORMATION THAT IS PROPRIETARY TO MOLEX INCORPORATED AND SHOULD NOT BE USED WITHOUT WRITTEN PERMISSION			

7CCT OPTION WITH OPEN ENDWALLS, 2 LATCHES AND 0 POLARIZING RIBS

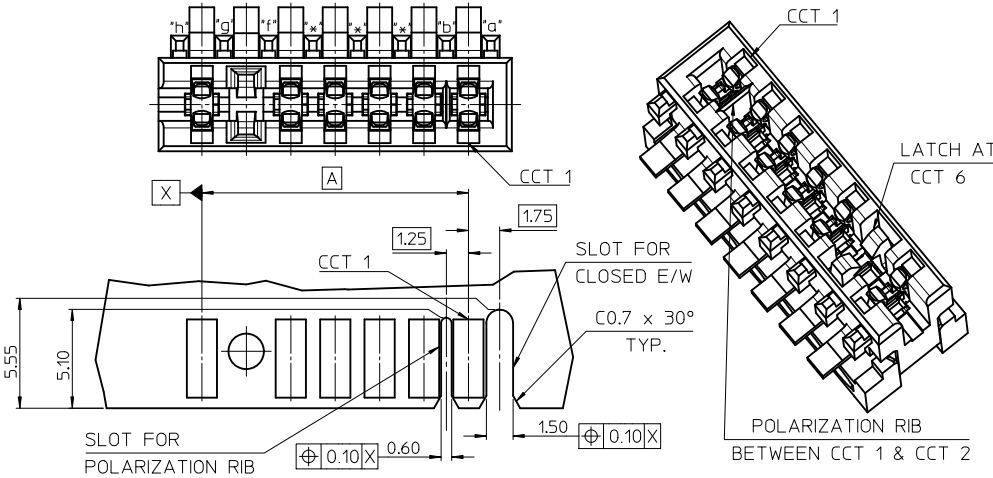


RECOMMENDED PCB DIMENSIONS CAN BE FOUND ON SHEET 1

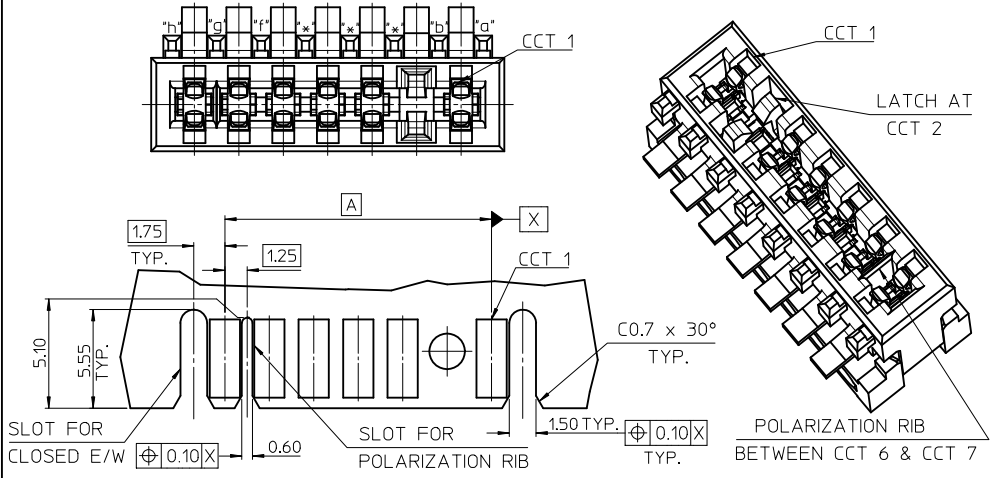
7CCT OPTION WITH OPTION C ENDWALLS, 1 LATCH AND 1 POLARIZING RIB (OPTION C: FIRST ENDWALL OPEN, LAST END WALL CLOSED)



7CCT OPTION WITH OPTION D ENDWALLS, 1 LATCH AND 1 POLARIZING RIB (OPTION D: FIRST END WALL CLOSED, LAST END WALL OPEN)



7CCT OPTION WITH OPTION E ENDWALLS, 1 LATCH AND 1 POLARIZING RIB (OPTION E: FIRST ENDWALL CLOSED, LAST END WALL CLOSED)



- NOTES:
1. FOR ALL UNSPECIFIED PCB DIMENSIONS SEE SHEET 1
  2. VIEWS FOR REPRESENTATION PURPOSES ONLY - OTHER OPTIONS AVAILABLE, SEE CHARTS ON SHEETS 4 & 5 OR, CONTACT YOUR SALES ENGINEER
  3. MOULDED LATCHES AVAILABLE IN SECOND CCT, SECOND LAST CCT OR, SECOND & SECOND LAST CCTS AS STANDARD. NON STANDARD OPTIONS AVAILABLE ON REQUEST
  4. INTERNAL POLARIZING RIBS AVAILABLE BETWEEN ANY 2 CIRCUITS BUT ARE NOT AVAILABLE BETWEEN LATCH CIRCUIT AND CIRCUITS EITHER SIDE OF LATCH CIRCUIT

SEE SHEET 1  
 EC NO: IPG2013-118  
 DRW:HSULL/AVNO12013101/25  
 CHK: [blank]  
 APPR:STGR/FFIN 2013/02/14

QUALITY SYMBOLS	GENERAL TOLERANCES (UNLESS SPECIFIED)	
	mm	INCH
▽=0	4 PLACES ±---	±---
▽=0	3 PLACES ±0.05	±---
	2 PLACES ±0.10	±---
	1 PLACE ±0.2	±---
	ANGULAR ±1/2°	

DRAFT WHERE APPLICABLE MUST REMAIN WITHIN DIMENSIONS

DIMENSION STYLE	
MM ONLY	
DRAWN BY	DATE
SMCGREEVY	2011/12/15
CHECKED BY	DATE
APPROVED BY	DATE
EFOLAN	2012/03/01
MATERIAL NO.	
SHEETS 3 & 4	

SCALE	DESIGN UNITS	THIRD ANGLE PROJECTION
5:1	METRIC	
TITLE		
APPLI-MATE 2.5 FEMALE G.W.T. 750 VERSION INTERNAL LATCH		
MOLEX INCORPORATED		SHEET NO. 2 OF 4
DOCUMENT NO. SD-93385-001		

THIS DRAWING CONTAINS INFORMATION THAT IS PROPRIETARY TO MOLEX INCORPORATED AND SHOULD NOT BE USED WITHOUT WRITTEN PERMISSION



### 3 CIRCUIT

MOLEX PART NO.	MOLEX HOUSING NO.	TERMINAL VOID POSITION	REMOVED POSITION KEYS	CONFIGURATION (SEE NOTE 1)	LATCH BETWEEN	POLARIZING RIB	ENDWALLS	COLOUR STRIPE
93385-0001	93049-2003	CKT 2	NONE		CCT 1&3	NONE	OPEN	NONE
93385-0002	93049-2043	CKT 2	C		CCT 1&3	NONE	<b>C</b>	NONE

### 4 CIRCUIT

MOLEX PART NO.	MOLEX HOUSING NO.	TERMINAL VOID POSITION	REMOVED POSITION KEYS	CONFIGURATION (SEE NOTE 1)	LATCH BETWEEN	POLARIZING RIB	ENDWALLS	COLOUR STRIPE
93385-0501	93049-2004	CKT 2	NONE		CCT 1&3	NONE	OPEN	NONE
93385-0502	93049-4004	CKT 3	NONE		CCT 2&4	NONE	OPEN	NONE

### 5 CIRCUIT

MOLEX PART NO.	MOLEX HOUSING NO.	TERMINAL VOID POSITION	REMOVED POSITION KEYS	CONFIGURATION (SEE NOTE 1)	LATCH BETWEEN	POLARIZING RIB	ENDWALLS	COLOUR STRIPE
93385-1001	93049-2005	CKT 2	NONE		CCT 1&3	NONE	OPEN	NONE
93385-1002	93049-4005	CKT 4	NONE		CCT 3&5	NONE	OPEN	NONE
93385-1003	93049-6005	CKT 2, 4	NONE		CCT 1&3 & CCT 3&5	NONE	OPEN	NONE

### 6 CIRCUIT

MOLEX PART NO.	MOLEX HOUSING NO.	TERMINAL VOID POSITION	REMOVED POSITION KEYS	CONFIGURATION (SEE NOTE 1)	LATCH BETWEEN	POLARIZING RIB	ENDWALLS	COLOUR STRIPE
93385-1501	93049-2006	CKT 2	NONE		CCT 1&3	NONE	OPEN	NONE
93385-1502	93049-4006	CKT 5	NONE		CCT 4&6	NONE	OPEN	NONE
93385-1503	93049-6006	CKT 2, 5	NONE		CCT 1&3 & CCT 4&6	NONE	OPEN	NONE

### 7 CIRCUIT

MOLEX PART NO.	MOLEX HOUSING NO.	TERMINAL VOID POSITION	REMOVED POSITION KEYS	CONFIGURATION (SEE NOTE 1)	LATCH BETWEEN	POLARIZING RIB	ENDWALLS	COLOUR STRIPE
93385-2001	93049-2007	CKT 2	NONE		CCT 1&3	NONE	OPEN	NONE
93385-2002	93049-4007	CKT 6	NONE		CCT 5&7	NONE	OPEN	NONE
93385-2003	93049-6007	CKT 2, 6	NONE		CCT 1&3 & CCT 5&7	NONE	OPEN	NONE

### 8 CIRCUIT

MOLEX PART NO.	MOLEX HOUSING NO.	TERMINAL VOID POSITION	REMOVED POSITION KEYS	CONFIGURATION (SEE NOTE 1)	LATCH BETWEEN	POLARIZING RIB	ENDWALLS	COLOUR STRIPE
93385-2501	93049-2008	CKT 2	NONE		CCT 1&3	NONE	OPEN	NONE
93385-2502	93049-4008	CKT 7	NONE		CCT 6&8	NONE	OPEN	NONE
93385-2503	93049-6008	CKT 2, 7	NONE		CCT 1&3 & CCT 6&8	NONE	OPEN	NONE

### 9 CIRCUIT

MOLEX PART NO.	MOLEX HOUSING NO.	TERMINAL VOID POSITION	REMOVED POSITION KEYS	CONFIGURATION (SEE NOTE 1)	LATCH BETWEEN	POLARIZING RIB	ENDWALLS	COLOUR STRIPE
93385-3001	93049-2009	CKT 2	NONE		CCT 1&3	NONE	OPEN	NONE
93385-3002	93049-4009	CKT 8	NONE		CCT 7&9	NONE	OPEN	NONE
93385-3003	93049-6009	CKT 2, 8	NONE		CCT 1&3 & CCT 7&9	NONE	OPEN	NONE

### 10 CIRCUIT

MOLEX PART NO.	MOLEX HOUSING NO.	TERMINAL VOID POSITION	REMOVED POSITION KEYS	CONFIGURATION (SEE NOTE 1)	LATCH BETWEEN	POLARIZING RIB	ENDWALLS	COLOUR STRIPE
93385-3501	93049-2010	CKT 2	NONE		CCT 1&3	NONE	OPEN	NONE
93385-3502	93049-4010	CKT 9	NONE		CCT 8&10	NONE	OPEN	NONE
93385-3503	93049-6010	CKT 2, 9	NONE		CCT 1&3 & CCT 8&10	NONE	OPEN	NONE

### 11 CIRCUIT

MOLEX PART NO.	MOLEX HOUSING NO.	TERMINAL VOID POSITION	REMOVED POSITION KEYS	CONFIGURATION (SEE NOTE 1)	LATCH BETWEEN	POLARIZING RIB	ENDWALLS	COLOUR STRIPE
93385-4001	93049-2011	CKT 2	NONE		CCT 1&3	NONE	OPEN	NONE
93385-4002	93049-4011	CKT 10	NONE		CCT 9&11	NONE	OPEN	NONE
93385-4003	93049-6011	CKT 2, 10	NONE		CCT 1&3 & CCT 9&11	NONE	OPEN	NONE

- NOTES
- + DENOTES TERMINAL VOIDED POSITION
    - DENOTES TERMINAL LOADED POSITION
    - | DENOTES POLARIZING RIB POSITION
    - DENOTES LATCH POSITION
  - PRESENCE OF LATCH IN ANY CIRCUIT AUTOMATICALLY DENOTES A TERMINAL VOID POSITION
  - MOLEX HOUSING NO. FOR REFERENCE ONLY

<b>SEE SHEET 1</b> EC NO: IPG2013-118 DRAWING TITLE: VIANO 2013/01/25 CHKD: APPR: STGR/IFF IN REV:	QUALITY SYMBOLS ▽=0 ▽=0	GENERAL TOLERANCES (UNLESS SPECIFIED) mm    INCH 4 PLACES ± --- ± --- 3 PLACES ± 0.05 ± --- 2 PLACES ± 0.10 ± --- 1 PLACE ± 0.2 ± --- ANGULAR ± 1/2°	DIMENSION STYLE <b>MM ONLY</b>	SCALE <b>1:1</b>	DESIGN UNITS <b>METRIC</b>	THIRD ANGLE PROJECTION	
	DRAWN BY: SMCREEVY    DATE: 2011/12/15 CHECKED BY:    DATE:	APPROVED BY: EFOLAN    DATE: 2012/03/01	MATERIAL NO.	DOCUMENT NO.	SHEET NO.	APPLI-MATE 2.5 FEMALE G.W.T. 750 VERSION INTERNAL LATCH	
	DRAFT WHERE APPLICABLE MUST REMAIN WITHIN DIMENSIONS	SEE CHART	SD-93385-001	3 OF 4	MOLEX INCORPORATED		
	THIS DRAWING CONTAINS INFORMATION THAT IS PROPRIETARY TO MOLEX INCORPORATED AND SHOULD NOT BE USED WITHOUT WRITTEN PERMISSION						

### 12 CIRCUIT

MOLEX PART NO.	MOLEX HOUSING NO.	TERMINAL VOID POSITION	REMOVED POSITION KEYS	CONFIGURATION (SEE NOTE 1)	LATCH BETWEEN	POLARIZING RIB	ENDWALLS	COLOUR STRIPE
93385-4501	93049-2012	CKT 2	NONE	① ② ③ ④ ⑤ ⑥ ⑦ ⑧ ⑨ ⑩ ⑪ ⑫	CCT 1&3	NONE	OPEN	NONE
93385-4502	93049-4012	CKT 11	NONE	① ② ③ ④ ⑤ ⑥ ⑦ ⑧ ⑨ ⑩ ⑪ ⑫	CCT 10&12	NONE	OPEN	NONE
93385-4503	93049-6012	CKT 2, 11	NONE	① ② ③ ④ ⑤ ⑥ ⑦ ⑧ ⑨ ⑩ ⑪ ⑫	CCT 1&3 & CCT 10&12	NONE	OPEN	NONE

### 13 CIRCUIT

MOLEX PART NO.	MOLEX HOUSING NO.	TERMINAL VOID POSITION	REMOVED POSITION KEYS	CONFIGURATION (SEE NOTE 1)	LATCH BETWEEN	POLARIZING RIB	ENDWALLS	COLOUR STRIPE
93385-5001	93049-2013	CKT 2	NONE	① ② ③ ④ ⑤ ⑥ ⑦ ⑧ ⑨ ⑩ ⑪ ⑫ ⑬	CCT 1&3	NONE	OPEN	NONE
93385-5002	93049-4013	CKT 12	NONE	① ② ③ ④ ⑤ ⑥ ⑦ ⑧ ⑨ ⑩ ⑪ ⑫ ⑬	CCT 11&13	NONE	OPEN	NONE
93385-5003	93049-6013	CKT 2, 12	NONE	① ② ③ ④ ⑤ ⑥ ⑦ ⑧ ⑨ ⑩ ⑪ ⑫ ⑬	CCT 1&3 & CCT 11&13	NONE	OPEN	NONE

### 14 CIRCUIT

MOLEX PART NO.	MOLEX HOUSING NO.	TERMINAL VOID POSITION	REMOVED POSITION KEYS	CONFIGURATION (SEE NOTE 1)	LATCH BETWEEN	POLARIZING RIB	ENDWALLS	COLOUR STRIPE
93385-5501	93049-2014	CKT 2	NONE	① ② ③ ④ ⑤ ⑥ ⑦ ⑧ ⑨ ⑩ ⑪ ⑫ ⑬ ⑭	CCT 1&3	NONE	OPEN	NONE
93385-5502	93049-4014	CKT 13	NONE	① ② ③ ④ ⑤ ⑥ ⑦ ⑧ ⑨ ⑩ ⑪ ⑫ ⑬ ⑭	CCT 12&14	NONE	OPEN	NONE
93385-5503	93049-6014	CKT 2, 13	NONE	① ② ③ ④ ⑤ ⑥ ⑦ ⑧ ⑨ ⑩ ⑪ ⑫ ⑬ ⑭	CCT 1&3 & CCT 12&14	NONE	OPEN	NONE

### 15 CIRCUIT

MOLEX PART NO.	MOLEX HOUSING NO.	TERMINAL VOID POSITION	REMOVED POSITION KEYS	CONFIGURATION (SEE NOTE 1)	LATCH BETWEEN	POLARIZING RIB	ENDWALLS	COLOUR STRIPE
93385-6001	93049-2015	CKT 2	NONE	① ② ③ ④ ⑤ ⑥ ⑦ ⑧ ⑨ ⑩ ⑪ ⑫ ⑬ ⑭ ⑮	CCT 1&3	NONE	OPEN	NONE
93385-6002	93049-4015	CKT 14	NONE	① ② ③ ④ ⑤ ⑥ ⑦ ⑧ ⑨ ⑩ ⑪ ⑫ ⑬ ⑭ ⑮	CCT 13&15	NONE	OPEN	NONE
93385-6003	93049-6015	CKT 2, 14	NONE	① ② ③ ④ ⑤ ⑥ ⑦ ⑧ ⑨ ⑩ ⑪ ⑫ ⑬ ⑭ ⑮	CCT 1&3 & CCT 13&15	NONE	OPEN	NONE

### 16 CIRCUIT

MOLEX PART NO.	MOLEX HOUSING NO.	TERMINAL VOID POSITION	REMOVED POSITION KEYS	CONFIGURATION (SEE NOTE 1)	LATCH BETWEEN	POLARIZING RIB	ENDWALLS	COLOUR STRIPE
93385-6501	93049-2016	CKT 2	NONE	① ② ③ ④ ⑤ ⑥ ⑦ ⑧ ⑨ ⑩ ⑪ ⑫ ⑬ ⑭ ⑮ ⑯	CCT 1&3	NONE	OPEN	NONE
93385-6502	93049-4016	CKT 15	NONE	① ② ③ ④ ⑤ ⑥ ⑦ ⑧ ⑨ ⑩ ⑪ ⑫ ⑬ ⑭ ⑮ ⑯	CCT 14&16	NONE	OPEN	NONE
93385-6503	93049-6016	CKT 2, 15	NONE	① ② ③ ④ ⑤ ⑥ ⑦ ⑧ ⑨ ⑩ ⑪ ⑫ ⑬ ⑭ ⑮ ⑯	CCT 1&3 & CCT 14&16	NONE	OPEN	NONE

- NOTES
- + DENOTES TERMINAL VOIDED POSITION
    - DENOTES TERMINAL LOADED POSITION
    - | DENOTES POLARIZING RIB POSITION
    - DENOTES LATCH POSITION
  - PRESENCE OF LATCH IN ANY CIRCUIT AUTOMATICALLY DENOTES A TERMINAL VOID POSITION
  - MOLEX HOUSING NO. FOR REFERENCE ONLY

SEE SHEET 1 EC NO: IPG2013-118 DRAWN BY: VANDI CHKD: VANDI APPR: SGR/FFN REV:	QUALITY SYMBOLS	GENERAL TOLERANCES (UNLESS SPECIFIED)	DIMENSION STYLE	SCALE	DESIGN UNITS	FIRST ANGLE PROJECTION
	▽=0	mm INCH	MM ONLY	5:1	METRIC	
	▽=0	4 PLACES ± --- ± ---	DRAWN BY DATE			TITLE
		3 PLACES ± 0.05 ± ---	SMCGREEVY 2011/12/15	CHECKED BY DATE		APPLI-MATE 2.5 FEMALE G.W.T. 750 VERSION INTERNAL LATCH
	2 PLACES ± 0.10 ± ---	APPROVED BY DATE			MATERIAL NO.	DOCUMENT NO.
	1 PLACE ± 0.2 ± ---	EFOLAN 2012/03/01			MOLEX	MOLEX INCORPORATED
	ANGULAR ± 1/2°				SD-93385-001	SHEET NO. 4 OF 4
	DRAFT WHERE APPLICABLE MUST REMAIN WITHIN DIMENSIONS	SEE CHARTS			THIS DRAWING CONTAINS INFORMATION THAT IS PROPRIETARY TO MOLEX INCORPORATED AND SHOULD NOT BE USED WITHOUT WRITTEN PERMISSION	