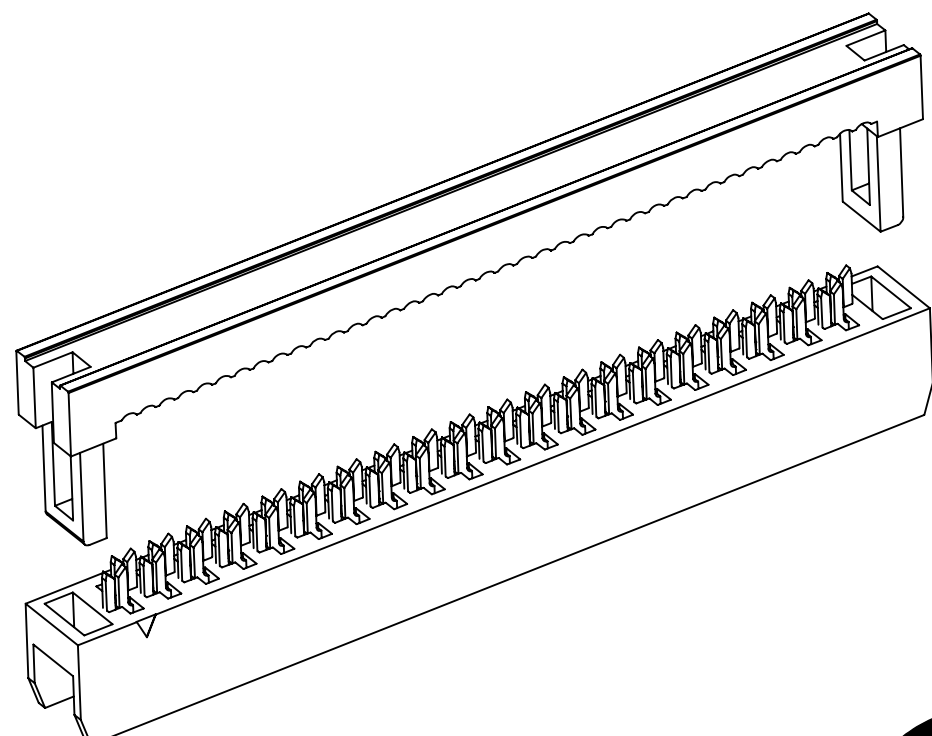
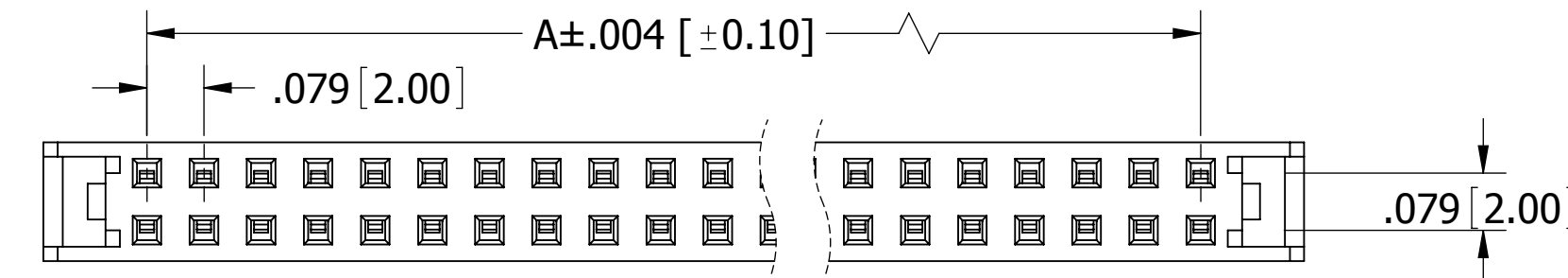
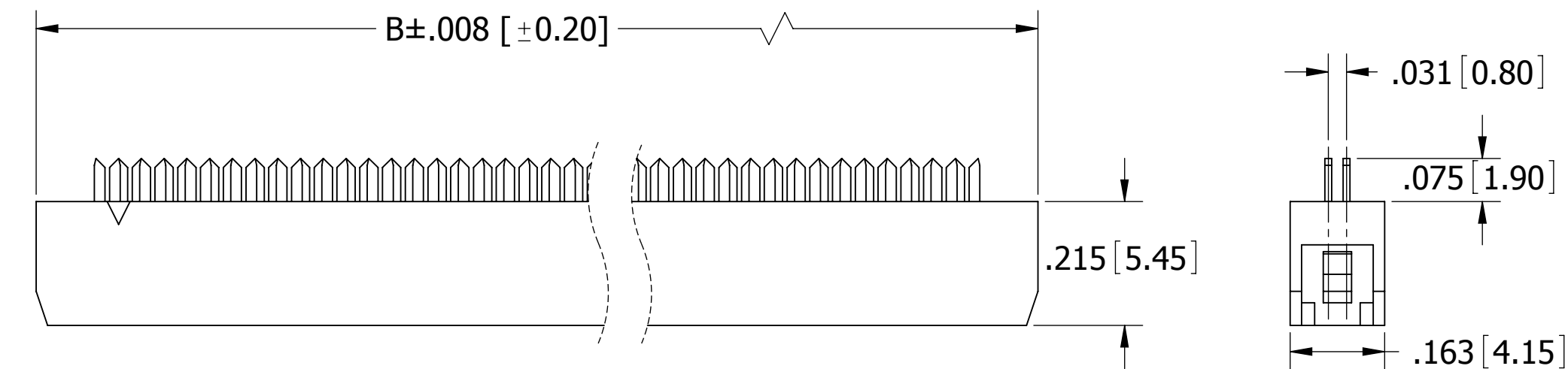
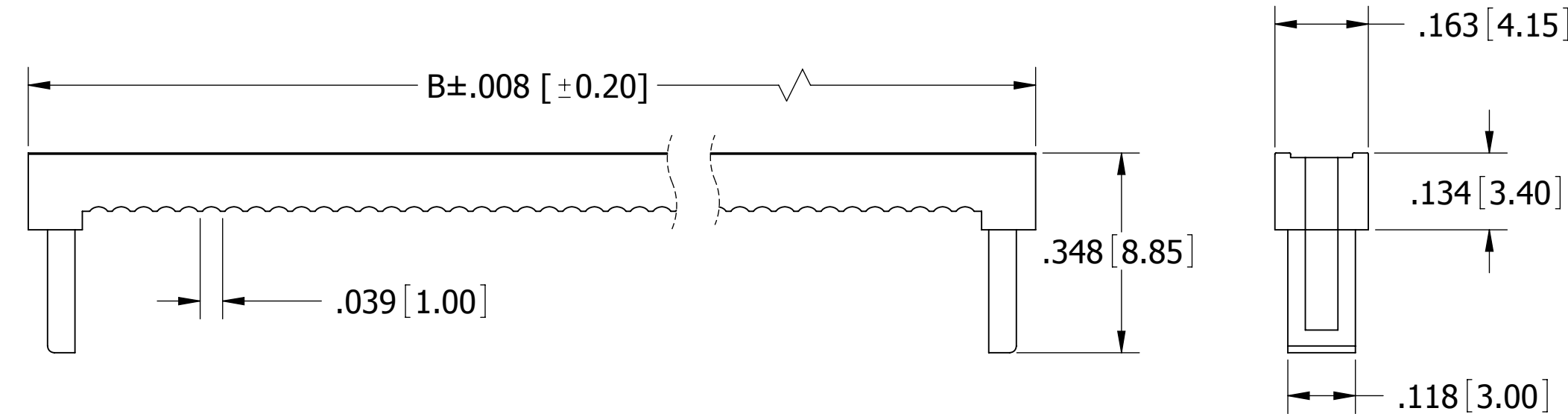
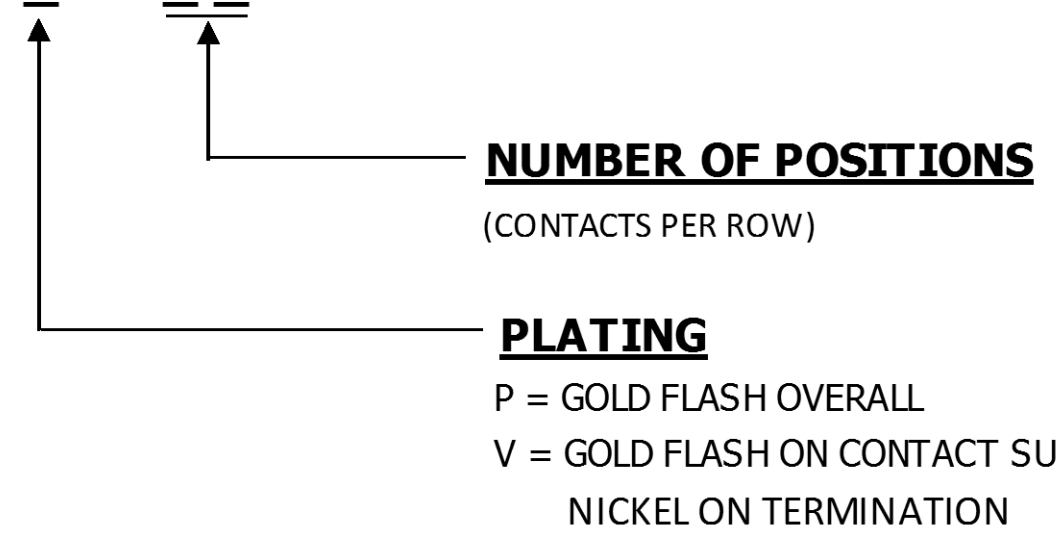


| REVISIONS |         |   |            |    |
|-----------|---------|---|------------|----|
| REV.      | ECO. NO | DESCRIPTION   | DATE       | BY |
| C         | 1909    | ADD 'V' PLATING, UPDATE NOTES.  | 2/4/2009   | JH |
| D         | 2149    | REMOVE "E" PLATING AND UPDATE NOTES 10 , "B" TOLERANCE WAS ±.012[±0.30] | 06/18/2010 | LH |
| E         | 2613    | ADD CONTACT RESISTANCE NOTE   | 7/2/2012   | JH |
| F         | 2835    | UPDATE NOTE 4(WAS OPERATING TEMP. -45°C TO +85°C)                       | 04/07/2014 | LH |
| H         | 3219    | UPDATE INSULATOR COLOR OPTIONS  | 11/25/2015 | MG |



**PART NUMBER CODING**  
**SFH21-PP\_N-D\_\_-ID-BK-M181**



| PART NUMBER               | POSITIONS/<br>CONTACTS | A     |       | B     |       |
|---------------------------|------------------------|-------|-------|-------|-------|
|                           |                        | INCH  | MM    | INCH  | MM    |
| SFH21-PP_N-D03-ID-BK-M181 | 03/06                  | 0.157 | 4.00  | 0.443 | 11.25 |
| SFH21-PP_N-D04-ID-BK-M181 | 04/08                  | 0.236 | 6.00  | 0.522 | 13.25 |
| SFH21-PP_N-D05-ID-BK-M181 | 05/10                  | 0.315 | 8.00  | 0.600 | 15.25 |
| SFH21-PP_N-D06-ID-BK-M181 | 06/12                  | 0.394 | 10.00 | 0.679 | 17.25 |
| SFH21-PP_N-D07-ID-BK-M181 | 07/14                  | 0.472 | 12.00 | 0.758 | 19.25 |
| SFH21-PP_N-D08-ID-BK-M181 | 08/16                  | 0.551 | 14.00 | 0.837 | 21.25 |
| SFH21-PP_N-D09-ID-BK-M181 | 09/18                  | 0.630 | 16.00 | 0.915 | 23.25 |
| SFH21-PP_N-D10-ID-BK-M181 | 10/20                  | 0.709 | 18.00 | 0.994 | 25.25 |
| SFH21-PP_N-D11-ID-BK-M181 | 11/22                  | 0.787 | 20.00 | 1.073 | 27.25 |
| SFH21-PP_N-D12-ID-BK-M181 | 12/24                  | 0.866 | 22.00 | 1.152 | 29.25 |
| SFH21-PP_N-D13-ID-BK-M181 | 13/26                  | 0.945 | 24.00 | 1.230 | 31.25 |
| SFH21-PP_N-D15-ID-BK-M181 | 15/30                  | 1.102 | 28.00 | 1.388 | 35.25 |
| SFH21-PP_N-D17-ID-BK-M181 | 17/34                  | 1.260 | 32.00 | 1.545 | 39.25 |
| SFH21-PP_N-D20-ID-BK-M181 | 20/40                  | 1.496 | 38.00 | 1.781 | 45.25 |
| SFH21-PP_N-D22-ID-BK-M181 | 22/44                  | 1.654 | 42.00 | 1.939 | 49.25 |
| SFH21-PP_N-D25-ID-BK-M181 | 25/50                  | 1.890 | 48.00 | 2.175 | 55.25 |
| SFH21-PP_N-D30-ID-BK-M181 | 30/60                  | 2.283 | 58.00 | 2.569 | 65.25 |
| SFH21-PP_N-D34-ID-BK-M181 | 34/68                  | 2.598 | 66.00 | 2.884 | 73.25 |

- NOTES:**
1. INSULATOR MATERIAL: PBT 30% GLASS FIBER, BLACK
  2. CONTACT MATERIAL: PHOSPHOR BRONZE
  3. PLATING: SEE PART NUMBER CODING
  4. OPERATING TEMPERATURE: -40°C TO +105°C
  5. UL FLAMMABILITY RATING: 94V-0
  6. CURRENT RATING: 1 AMP PER CONTACT
  7. INSULATION RESISTANCE: 1,000M OHMS MIN.
  8. CONTACT RESISTANCE: 30 MILLIOHMS MAX.
  9. DIELECTRIC WITHSTANDING: 500 VAC
  10. MATES WITH SBH21 SERIES
  11. FOR .039"[1.00mm] PITCH FLAT CABLE, 26 - 28 AWG WIRE RANGE
  12. M181 DENOTES PART W/O POLARIZING KEY



UNLESS OTHERWISE SPECIFIED:  
DIMENSIONS ARE IN INCHES [MM]

TOLERANCES:  
ANGULAR: ± 1°

DECIMALS  
.XX = ± .012 [.3]  
.XXX = ± .008 [.20]  
.XXXX = ± .0040 [.100]

|   |           |          |   |  |
|---|-----------|----------|---|--|
| DRAWN   | DATE      | NAME     |   |  |
|   | 10/28/08  | JH       |   |  |
| <small>THE INFORMATION HEREIN CONTAINS PROPRIETARY INFORMATION OF SULLINS ELECTRONICS AND IS NOT TO BE REPRODUCED, USED OR DISCLOSED TO OTHERS FOR ANY PURPOSE EXCEPT AS SPECIFICALLY AUTHORIZED IN WRITING BY AN OFFICER OF SULLINS ELECTRONICS.</small> |           |          | <b>TITLE</b><br>HEADER FEMALE, .079[2.00] CC w/o POLARIZING KEY |  |
|   |           |          | <b>PART NUMBER</b><br>SFH21-PP_N-D__-ID-BK-M181                 |  |
| SIZE  | CAGE CODE | DWG. NO. | REV   |  |
| C   | 54453     | 11155    | H   |  |
| SCALE: 2:1  |           |          | SHEET 1 OF 1  |  |