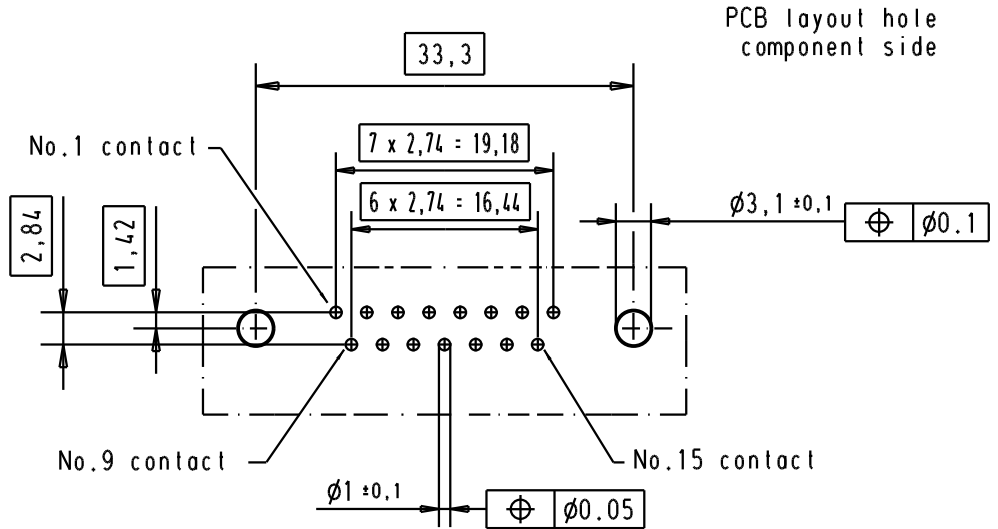
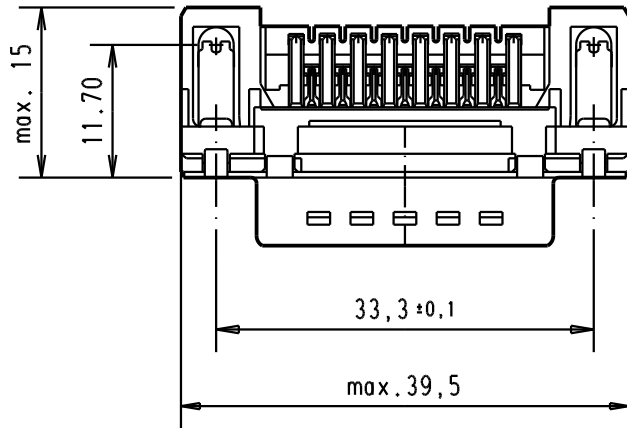
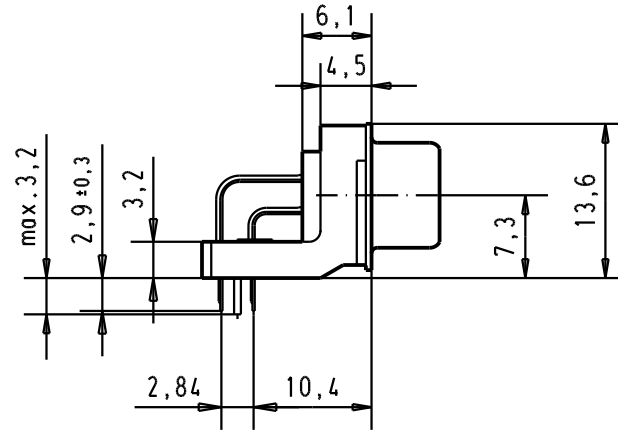
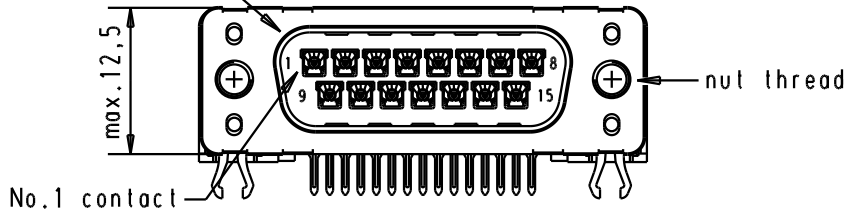


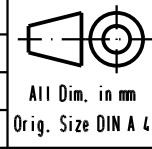
5 4 3 2 1

Mating face according to : MIL-C-24308 / DIN 41652 / CECC 75301-802



Connector retention and insertion forces on the PCB = 25 / 80 newtons

09 65 263 3811	M3	1									
09 65 263 6811	M3	2				Detail.	18/dec/00	ALSPACE			
09 65 263 7811	M3	3	31892	22/04/04	JH	Insp.					
09 65 263 3812	4-40 UNC	1	31084	04/09/02	YT	Stand.					
09 65 263 6812	4-40 UNC	2	29689	03/07/01	AA						
09 65 263 7812	4-40 UNC	3	27960	18/dec/00	ALSPACE						
Part number	Nut thread	Performance level	Mod.	Dat.	Name	HARTING EURL F-95972 Paris					



All Dim. in mm
Orig. Size DIN A 4



D-Sub, male, standard angle,
15 poles, with solder pin,
nut and grounding board lock

TB 0965263x81x

Moßstab/
Scale
1.5:1
Blatt/
Page
2