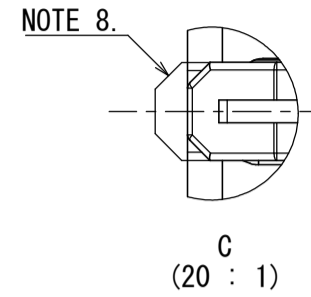
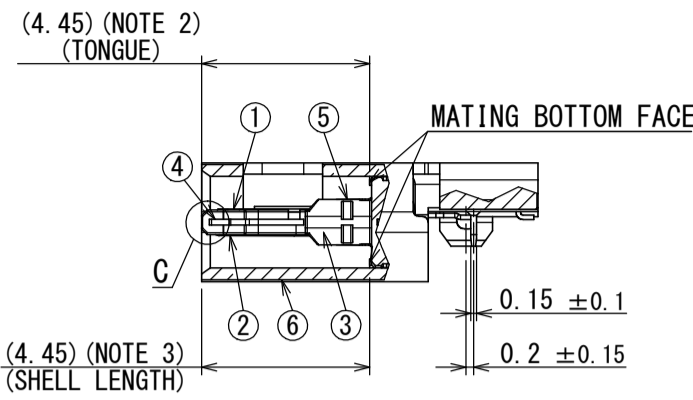
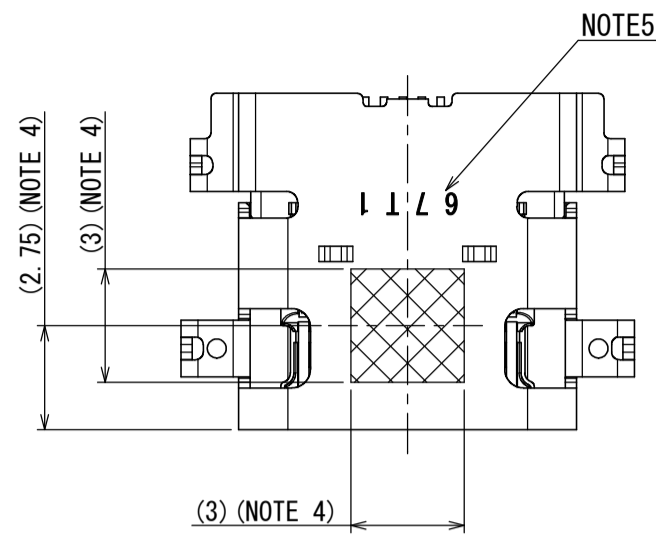


版数 VER.	年月日 DATE	図号 CN NO.	変更内容 DESCRIPTION	製図 DR.	担当 CHK.	査閲 APPD.	承認 APPD.
2	04/JAN/2017	019861	CORRECTION OF ERRONEOUS DESCRIPTION		T. KUROSAWA	H. OOTANI	M. KIKUCHI

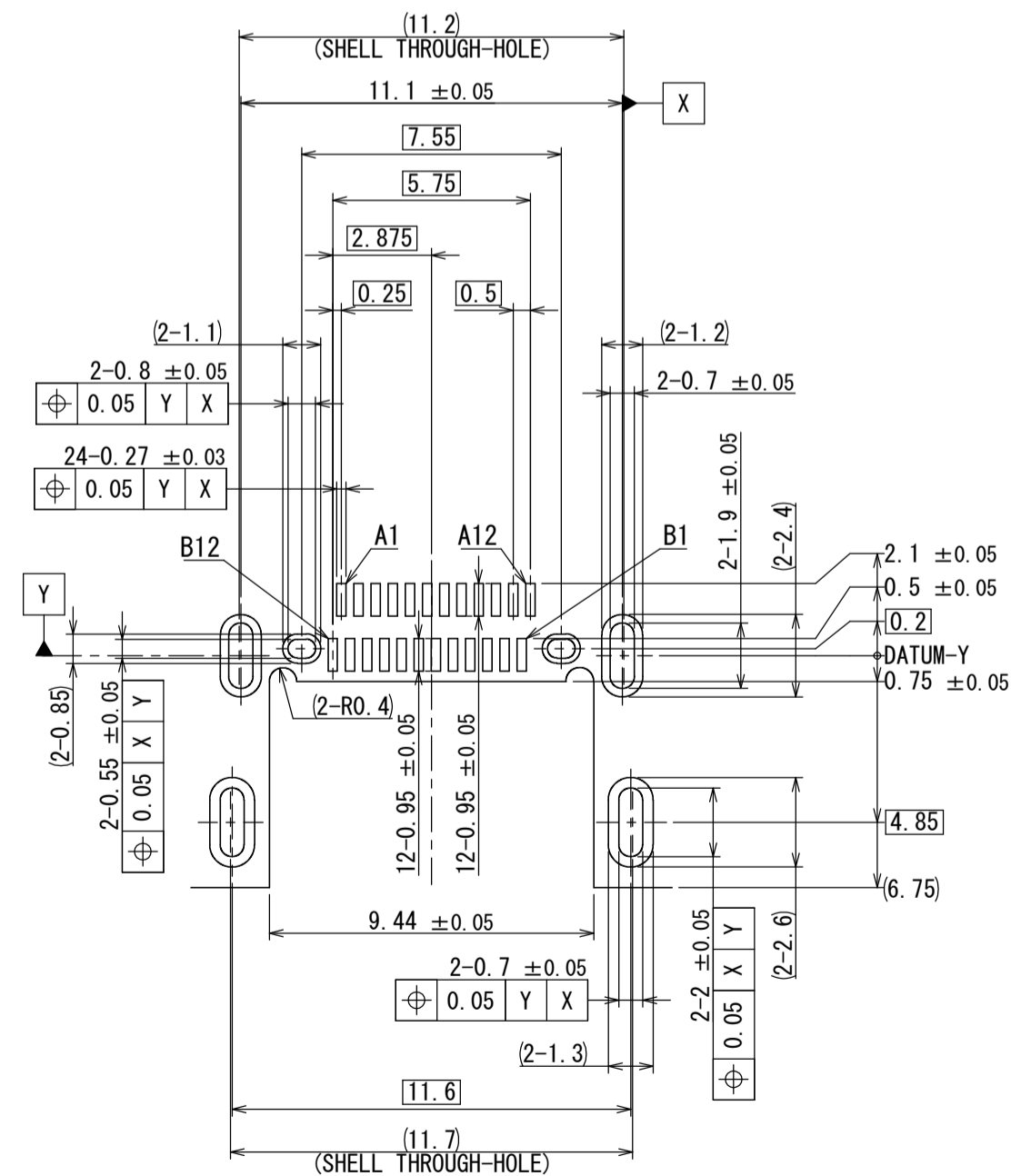
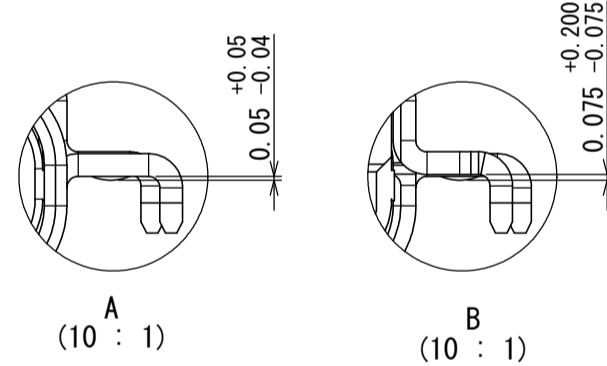
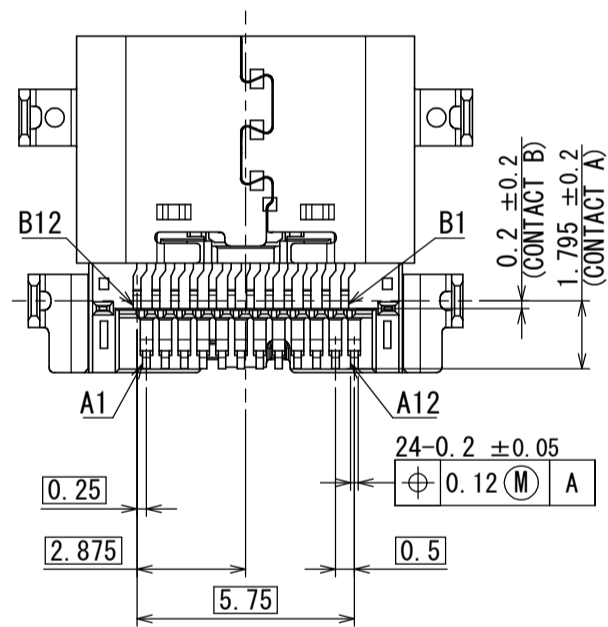
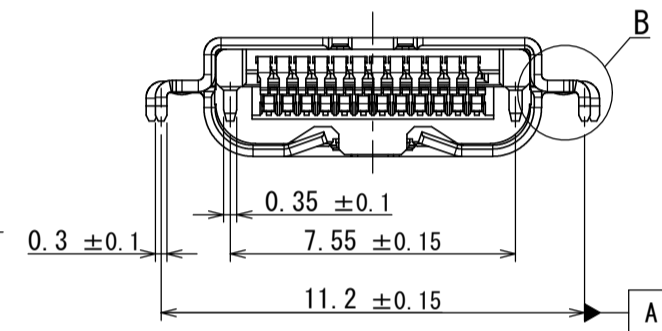
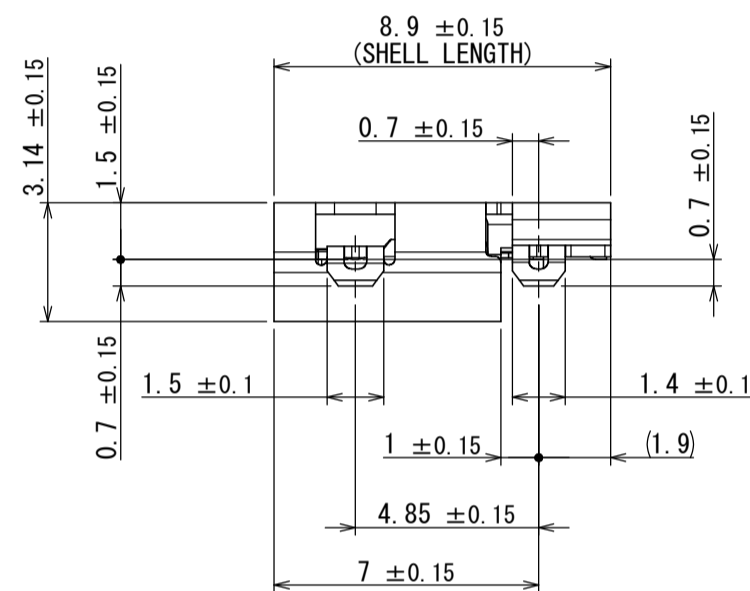
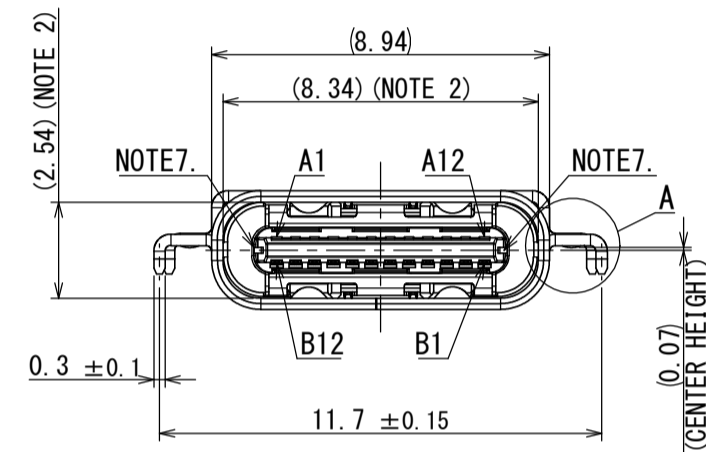


- NOTE 1. COPLANARITY OF SMT TERMINAL BE 0.1 MAXIMUM.
 NOTE 2. MATING DIMENSIONS CONSIST OF "Universal Serial Bus Type-C Cable and Connector Specification Revision 1.2"
 NOTE 3. THE SHELL LENGTH IS LESS THAN THE MINIMUM SPECIFIED BY THE USB TYPE C STANDARD. AS SUCH IT CANNOT INDEPENDENTLY BE GUARANTEED TO MEET ALL TYPE C MECHANICAL REQUIREMENTS. THE SYSTEM IMPLEMENTER IS RESPONSIBLE FOR ACHIEVING PRODUCT RELIABILITY AND PASSING USB COMPLIANCE TESTING. REFERENCE THE USB TYPE C SPECIFICATION RELEASE 1.2, SECTION 3.2.1, NOTE 7.
 NOTE 4. VACUUM AREA.
 NOTE 5. LOT NO. IS MARKED AS SHOWN IN BELOW TABLE.

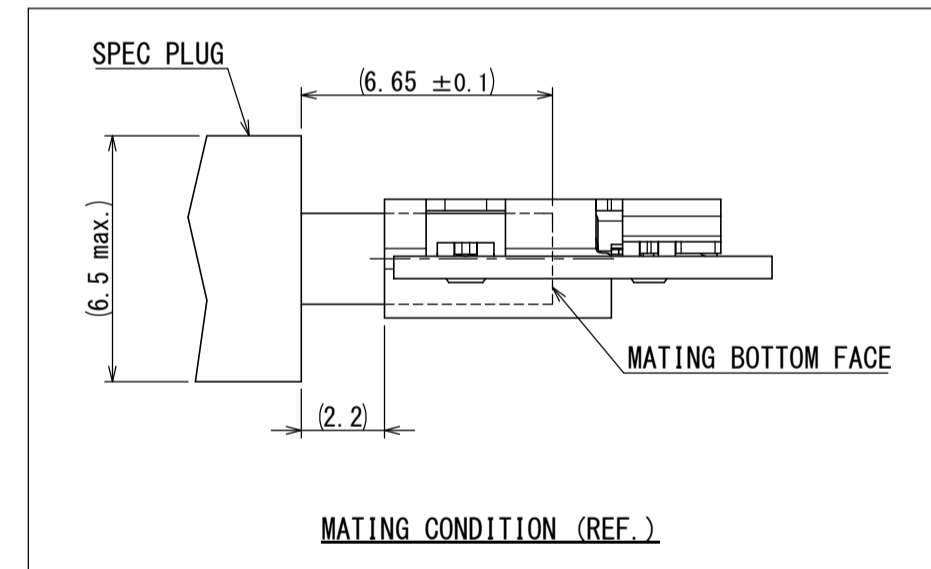
YEAR(1 DIGIT)		MONTH(1 DIGIT)		DAY(1 DIGIT)								LINE(1 DIGIT)			
YEAR	MARKING	月	MARKING	DAY	MARKING	DAY	MARKING	DAY	MARKING	DAY	MARKING	DAY	MARKING	LINE	MARKING
2016	6	1	1	1	1	11	B	21	M	31	Y			Manual	0
2017	7	2	2	2	2	12	C	22	N					1	1
2018	8			3	3	13	D	23	P					2	2
2019	9			4	4	14	E	24	Q						
2020	0			5	5	15	F	25	R						
2021	1			6	6	16	G	26	S					9	9
2022	2	9	9	7	7	17	H	27	T						
2023	3	10	A	8	8	18	J	28	U						
2024	4	11	B	9	9	19	K	29	V						
2025	5	12	C	10	A	20	L	30	X						

- NOTE 6. THIS PRODUCT IS HALOGEN-FREE.
 NOTE 7. METAL EXPOSED AREA SIZE COULD BE SLIGHTLY CHANGED BASED ON MOLDING PROCESS CONDITION IN EACH LOT. HOWEVER THIS WOULD NOT AFFECT CONNECTOR FUNCTION.
 NOTE 8. INSERT MOLD PART MIGHT PROTRUDE FROM SHELL EDGE, WITHIN TOLERANCE RANGE
 NOTE 9. PIN ASSIGNMENT (FRONT VIEW)

Pin No.	A1	A2	A3	A4	A5	A6	A7	A8	A9	A10	A11	A12
	GND	TX1+	TX1-	V _{BUS}	CC1	D+	D-	SBU1	V _{BUS}	RX2-	RX2+	GND
Pin No.	B12	B11	B10	B9	B8	B7	B6	B5	B4	B3	B2	B1
	GND	RX1+	RX1-	V _{BUS}	SBU2	D-	D+	CC2	V _{BUS}	TX2-	TX2+	GND



Surface View from Connector Mounting Sid
 APPLICABLE P. C. B DIMENSION (REF.)



符号 No.	名称 DESCRIPTION	個数 QTY.	材料 MATERIAL	仕上 FINISH	備考 REMARKS
6	SHELL	1	STAINLESS STEEL	NICKEL PLATING	
5	GND PLATE	2	STAINLESS STEEL	NICKEL PLATING	
4	MID PLATE	1	STAINLESS STEEL	NICKEL PLATING	
3	INSERT MOLD	1	HEAT RESISTING PLASTIC	—	COLOR:BLACK
2	CONTACT B	12	COPPER ALLOY	CONTACT AREA: GOLD FLASH OVER PALLADIUM- NICKEL OVER NICKEL	CONTACT AREA: NICKEL: 2 μm MIN PALLADIUM-NICKEL: 0.75 μm MIN GOLD FLASH: 0.05 μm MIN
1	CONTACT A	12	COPPER ALLOY	SOLDER TAILS: GOLD FLASH OVER NICKEL	SOLDER TAILS: NICKEL: 1 μm MIN GOLD FLASH: 0.03 μm MIN

仕様書(SPECIFICATION) JACS-30353 JAH1-30353-1	第1版(ORIGINAL DATE) 06/JUL/2016	尺度(SCALE) 5:1	シリーズ(SERIES) DX07	日本航空電子工業株式会社
一般公差(GENERAL TOLERANCE) 寸法(DIMENSION): ±0.8 × ±0.4 ×× ±0.1 ××× ±	角度(ANGLES): ° ± °' ± °'' ±	製図 DR. T. KUROSAWA	名称(TITLE) DX07B024JJ3	備考 JAE-CONNECTOR.COM References JAE JAPAN AVIATION ELECTRONICS INDUSTRY, LTD.
担当 CHK. H. OOTANI	承認 APPD. M. KIKUCHI	質量(MASS)	図面番号(DRAWING NO.) SJ117601	版数(VER.) 2