

General Specifications

Motor Protection:

Auto Restart/Polarity Protection

Insulation Resistance:

10M Ω or over with a DC500V Megger

Dielectric Withstand Voltage: AC 700V 1s

Allowable Ambient Temperature Range:

-10°C ~ +70°C (B50~B80) (Operating)

-10°C ~ +60°C (B90) (Operating)

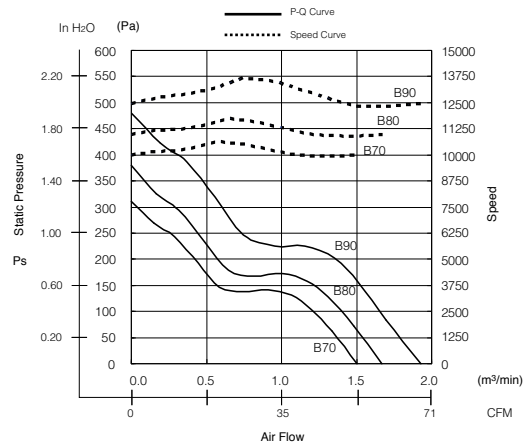
-40°C ~ +70°C (Storage)

Expected Life

Failure Rate: 10%

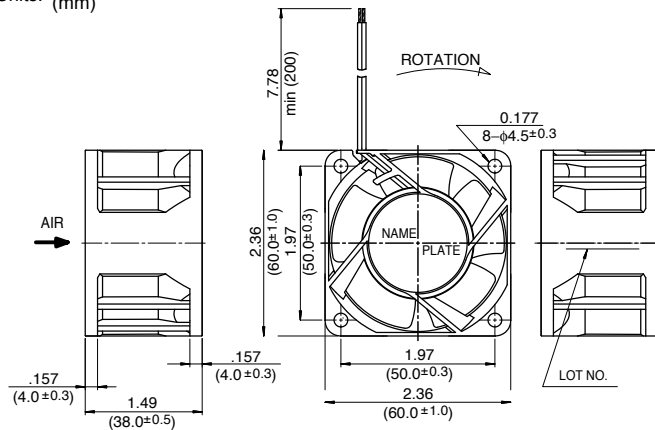
25°C 80,000 Hours (E00)

Characteristic Curves

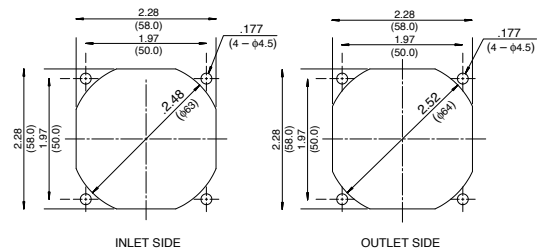


Outline

Units: $\frac{\text{inch}}{\text{mm}}$



Panel Cut-outs



Material

- Casing : Plastic (Black) 94V-0
- Impeller : Plastic (Black) 94V-0
- Bearing : Ball Bearing
- Lead Wire: UL1007, AWG24, +Red, -Black

Specifications

MODEL	Product No.	Rated Voltage	Operating Voltage	Current	Input Power	Speed	Max. Air Flow		Max. Static Pressure		Noise	Mass
		(V)	(V)	(A) ^{*1}	(W) ^{*1}	(min ⁻¹) ^{*1}	CFM ^{*1}	(m ³ /min) ^{*1}	in H ₂ O	(Pa) ^{*1}	(dB) ^{*1}	(g)
2415RL-04W-B70-	EXX	12	7 ~ 13.8	0.77	9.2	10000	53.0	1.50	1.35	310	56.0	125
2415RL-04W-B80-	EXX	12	7 ~ 13.8	1.00	12.0	11000	59.0	1.67	1.65	380	58.0	125
2415RL-04W-B90-	EXX	12	7 ~ 13.2	1.40	16.8	12500	68.1	1.93	2.04	480	61.0	125

Rotation: Clockwise

Airflow Outlet: Air Out Over Struts

*1: Average Values in Free Air